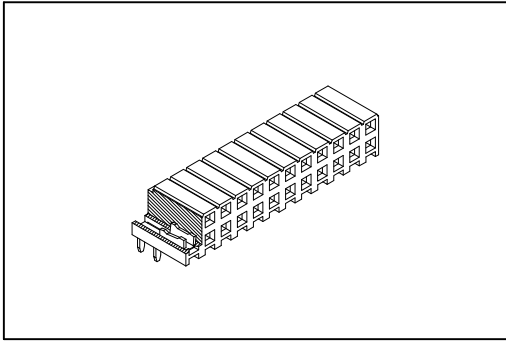


# 2142-A Series

P.C.B. Socket 2.0mmX2.0mm(0.079"X0.079")



**Material:**

Housing: High Temperature Plastic UL94V-0.

Contacts: Phosphor Bronze.

**Electrical Characteristics:**

Current Rating: 2 A.

Dielectric Withstanding Voltage: AC 500V.

Insulator Resistance: 1000MΩ min.

Contact Resistance: 20mΩ max.

Operating Temperature: -40°C~+105°C.

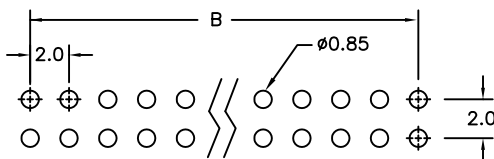
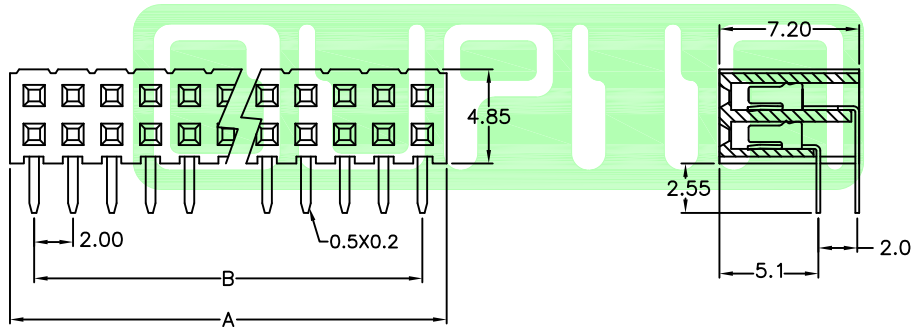
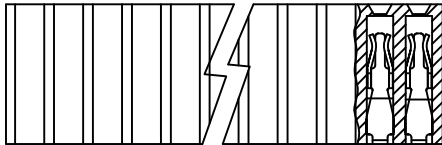
**Features:**

\* Double row.

\* Horizontal Entry.

\* Mates with 0.50mm(0.02") square pin.

Mates with: 2111,2112,2113,2114,2115.



P.C.Board Layout

Position Dimension	4 Thru 80
A	2.0 X No. of Positions /2+0.5
B	2.0 X No. of Positions /2-2.0

**Ordering information**

2142-A  
Series

2 X  
Double Row

40  
No. of  
Pin Per Row

G  
G: Gold Plated  
T: Tin Plated

00  
00: G/F

R  
R: Horizontal Entry

U  
U: Tube Package