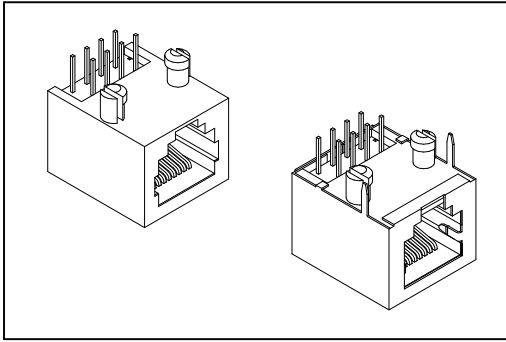


8949-B Series

Modular Jack Side Entry Dip Type



Material:

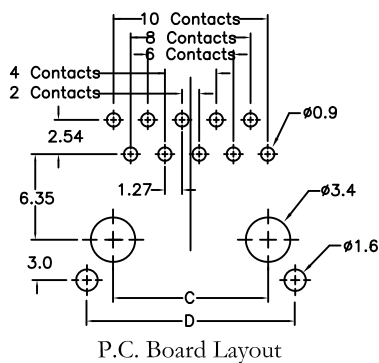
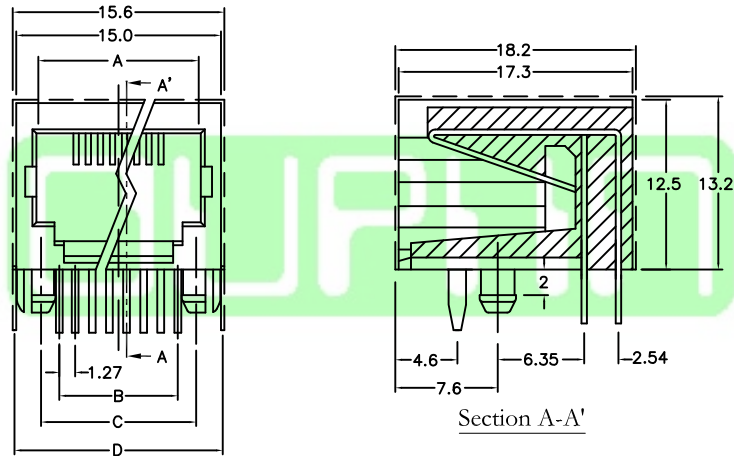
Housing: Thermoplastic Polyester Glass Filled UL94V-0.
 Contacts: Copper Alloy.
 Shield: Copper Alloy, Nickel Plated.
 Plating: Selective Gold plated on contact area over Nickel.

Electrical Characteristics:

Current Rating: 1.5 A.
 Insulator Resistance: 1000MΩ min.
 Contact Resistance: 30mΩ max.
 Operating Temperature: -40°C~+85°C.

Features:

- * 50μ"gold meets FCC 68 requirements.
- * Available in 4, 6, 8, 10 position housing.
- * Industry compatible profiles and foot prints.
- * Available in selective loading.
- * Contact pre-loaded and self aligned.



No. of Position	No. of Contacts	Dimensions			
		A	B	C	D
4	4	7.90	3.81	11.43	
6	2	9.90	1.27	11.43	15.35
6	4	9.90	3.81	11.43	15.35
6	6	9.90	6.35	11.43	15.35
8	8	11.90	8.89	11.43	15.35
10	10	11.90	11.43	11.43	15.35

Ordering Information

8949-B	10	10	-06	S	B	A
Series	10: 10 Position 8: 8 Position 6: 6 Position 4: 4 Position	10: 10 Contacts 8: 8 Contacts 6: 6 Contacts 4: 4 Contacts 2: 2 Contacts	06: 06μ" Gold Plated 15: 15μ" Gold Plated 30: 30μ" Gold Plated 50: 50μ" Gold Plated	S: Shield (Only for 6, 8, & 10 Position) Blank: Non-shield	B: Black	A: Tray Package