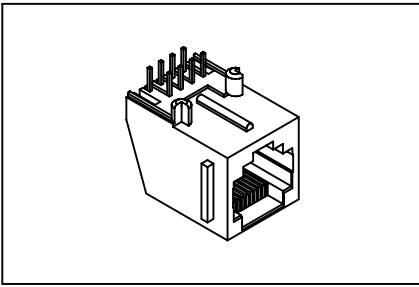


8949-C Series

Modular Jack



Features:

- * UL recognized, CSA listed.
- * 50 μ gold meets FCC 68 requirements.
- * Available in 4, 6, 8 position housing.
- * Industry compatible profiles and foot prints.
- * Available in selective loading.
- * Contact pre-loaded and self aligned.

Material:

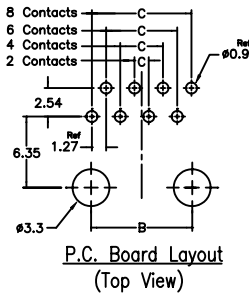
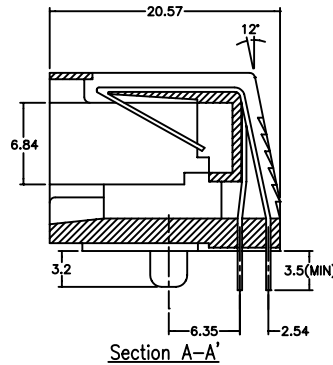
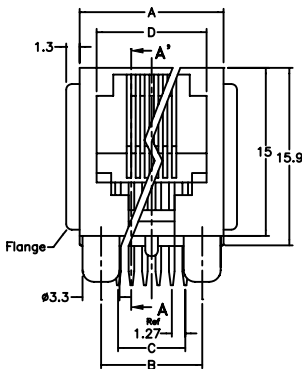
- Housing:** 30% Glass filled PBT UL94V-0.
- Contacts:** Phosphor Bronze.
- Plating:** Selective Gold plated on contact area over Nickel.

Electrical Characteristics:

- Current Rating:** 2 AMP.
- Insulator Resistance:** 5000M Ω min. at DC 500V.
- Contact Resistance:** 30m Ω max. at DC 100mA.
- Operating Temperature:** -55°C~+105°C.
- Capacitance:** 1.5pF max between adjacent contacts.

Mechanical Characteristics:

- Durability:** 250 cycles.
- Retention Force:** 7.7kg between jack & plug.
- Max Total Mating Force:**
 - 2 contacts loaded-350g.
 - 4 contacts loaded-500g.
 - 6 contacts loaded-750g.
 - 8 contacts loaded-900g.



No. of Position	No. of Contacts	Dimensions			
		A	B	C	D
4	4	11.20	7.62	3.81	7.70
6	2	13.20	10.16	1.27	9.80
6	4	13.20	10.16	3.81	9.80
6	6	13.20	10.16	6.35	9.80
8	8	15.20	11.43	8.89	11.80

Ordering information

8949-C	8	8	/50
Series	8: 8 Position Housing	8: 8 Contacts Loaded	50: 50 μ Gold Plated
	6: 6 Position Housing	6: 6 Contacts Loaded	30: 30 μ Gold Plated
	4: 4 Position Housing	4: 4 Contacts Loaded	15: 15 μ Gold Plated
		2: 2 Contacts Loaded	6: 6 μ Gold Plated