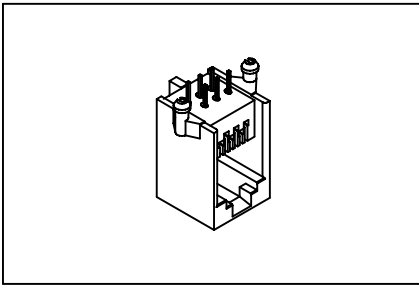


# 8949-G Series

## Modular Jack



### Features:

- \* UL recognized, CSA listed.
- \* 50 $\mu$  gold meets FCC 68 requirements.
- \* Available in 4, 6, 8 position housing.
- \* Industry compatible profiles and foot prints.
- \* Available in selective loading.
- \* Contact pre-loaded and self aligned.

### Material:

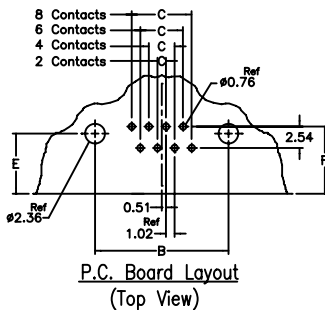
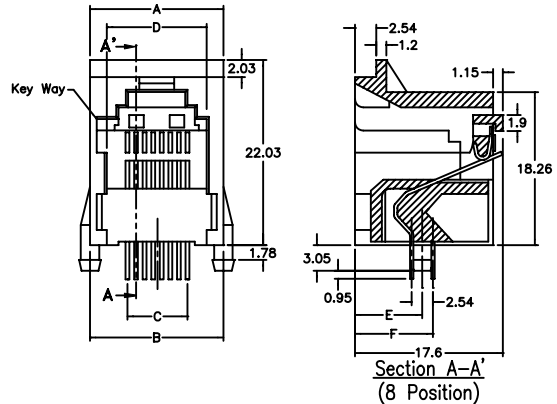
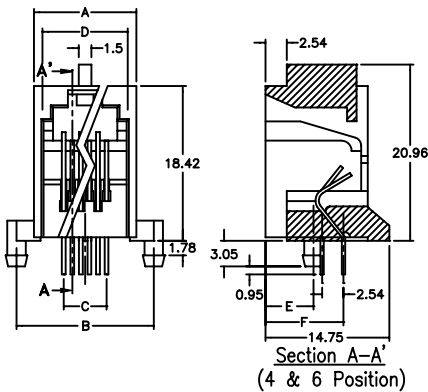
- Housing:** 30% Glass filled PBT UL94V-0.
- Contacts:** Phosphor Bronze.
- Plating:** Gold plated on contact area over Nickel.

### Electrical Characteristics:

- Current Rating:** 2 AMP.
- Insulator Resistance:** 5000M $\Omega$ min. at DC 500V.
- Contact Resistance:** 30m $\Omega$ max. at DC 100mA.
- Operating Temperature:** -55°C ~ +105°C.
- Capacitance:** 1.5pF max between adjacent contacts.

### Mechanical Characteristics:

- Durability:** 250 cycles.
- Retention Force:** 7.7kg between jack & plug.
- Max Total Mating Force:**
  - 2 contacts loaded-350g.
  - 4 contacts loaded-500g.
  - 6 contacts loaded-750g.
  - 8 contacts loaded-900g.



No. of Position	No. of Contacts	Dimensions					
		A	B	C	D	E	F
4	4	12.19	15.88	3.06	7.80	3.18	6.33
6	2	12.19	15.88	1.02	10.15	3.18	6.33
6	4	12.19	15.88	3.06	10.15	3.18	6.33
6	6	12.19	15.88	5.10	10.15	3.18	6.33
8	8	15.88	15.88	7.14	11.88	7.16	8.00

### Ordering information

8949-G	8	8	/50
Series	8: 8 Position Housing	8: 8 Contacts Loaded	50: 50 $\mu$ Gold Plated
	6: 6 Position Housing	6: 6 Contacts Loaded	30: 30 $\mu$ Gold Plated
	4: 4 Position Housing	4: 4 Contacts Loaded	15: 15 $\mu$ Gold Plated
		2: 2 Contacts Loaded	6: 6 $\mu$ Gold Plated