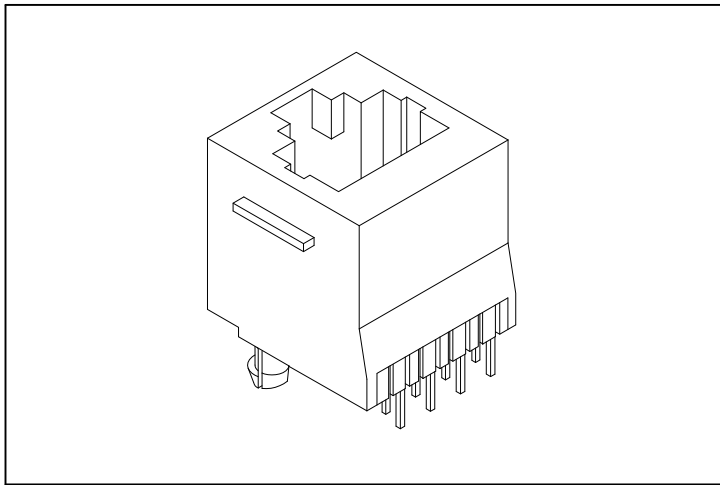


8949-H Series

Modular Jack Top Entry Dip Type



Material:

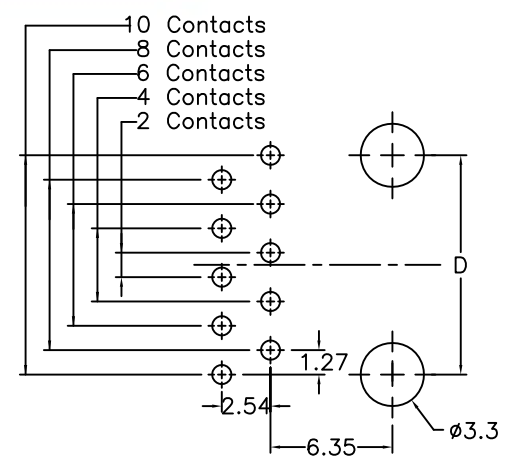
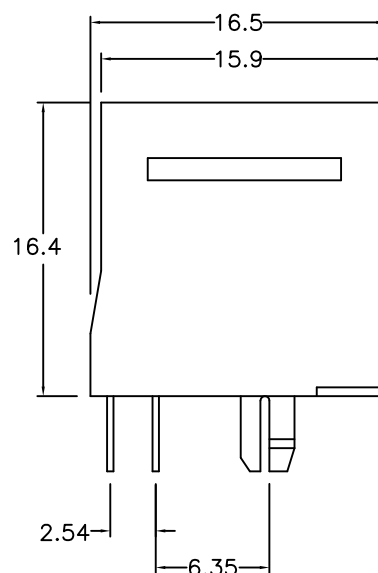
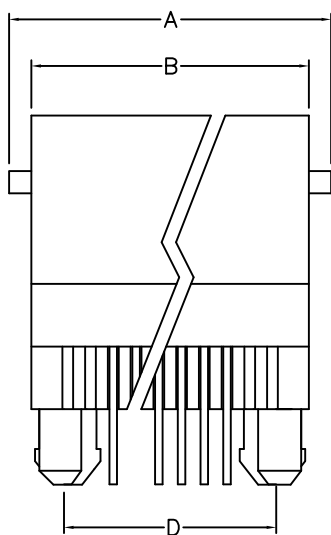
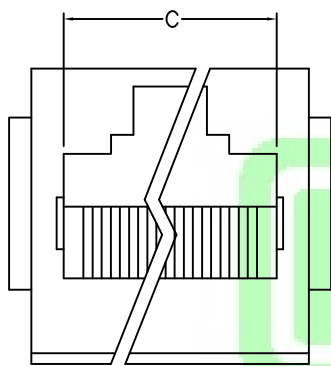
Housing: Thermoplastic Polyester Glass Filled UL94V-0.
 Contacts: Copper Alloy.
 Plating: Selective Gold plated on contact area over Nickel.

Electrical Characteristics:

Current Rating: 1.5 A.
 Insulator Resistance: 1000M Ω min.
 Contact Resistance: 30m Ω max.
 Operating Temperature: -40°C~+85°C.

Features:

- * 50 μ gold meets FCC 68 requirements.
- * Available in 4, 6, 8, 10 position housing.
- * Industry compatible profiles and foot prints.
- * Available in selective loading.
- * Contact pre-loaded and self aligned.



P.C. Board Layout

No. of Position	No. of Contacts	Dimensions			
		A	B	C	D
4	4	13.80	11.40	7.90	7.62
6	2	15.80	13.45	10.00	10.16
6	4	15.80	13.45	10.00	10.16
6	6	15.80	13.45	10.00	10.16
8	8	18.00	15.50	11.90	11.43
10	10	18.00	15.50	11.90	11.43

Ordering information

8949-H	10	10	-06	B	F	A
Series	10: 10 Position 8: 8 Position 6: 6 Position 4: 4 Position	10: 10 Contacts 8: 8 Contacts 6: 6 Contacts 4: 4 Contacts 2: 2 Contacts	06: 06 μ Gold Plated 15: 15 μ Gold Plated 30: 30 μ Gold Plated 50: 50 μ Gold Plated	B: Black	F: With Flange N: W/O Flange	A: Tray Package