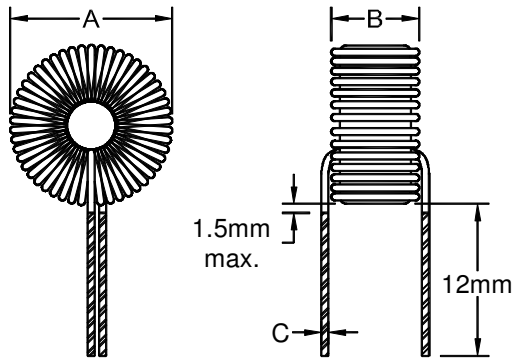


EMI / RFI
TOROIDAL
FILTER



TL55 Series

- Inductance range : 23 ~ 640 μ H.
- Current range : 1 ~ 25A.
- Custom-made filters are available upon request.

Part Number	Inductance (μ H, $\pm 15\%$)	DCR (m Ω , max.)	Rated Current (A)	Dimension (mm)		
				A	B	C
TL55-001	119	148.0	1	12.8	6.1	$\varnothing 0.4$
TL55-002	29	70.0	1	12.8	6.1	$\varnothing 0.4$
TL55-003	223	215.0	1	14.2	6.5	$\varnothing 0.4$
TL55-004	63	121.2	1	14.2	6.5	$\varnothing 0.4$
TL55-005	71	58.8	2	15.0	7.6	$\varnothing 0.6$
TL55-006	23	34.8	2	15.0	7.6	$\varnothing 0.6$
TL55-007	275	246.0	1	15.8	7.5	$\varnothing 0.4$
TL55-008	60	113.2	1	15.8	7.5	$\varnothing 0.4$
TL55-009	105	75.6	2	16.6	8.5	$\varnothing 0.6$
TL55-010	31	40.8	2	16.6	8.5	$\varnothing 0.6$
TL55-011	243	108.0	2	21.5	8.1	$\varnothing 0.6$
TL55-012	63	56.4	2	21.5	8.1	$\varnothing 0.6$
TL55-013	188	90.0	3	21.8	8.8	$\varnothing 0.7$
TL55-014	47	37.2	3	21.8	8.8	$\varnothing 0.7$
TL55-015	482	131.0	3	24.3	10.4	$\varnothing 0.7$
TL55-016	128	73.2	3	24.3	10.4	$\varnothing 0.7$
TL55-017	340	94.8	4	25.0	10.6	$\varnothing 0.8$
TL55-018	87	49.2	4	25.0	10.6	$\varnothing 0.8$
TL55-019	410	82.8	4	28.8	12.4	$\varnothing 0.9$
TL55-020	110	43.2	4	28.8	12.4	$\varnothing 0.9$
TL55-021	340	63.6	5	29.0	13.0	$\varnothing 1.00$
TL55-022	95	40.0	5	29.0	13.0	$\varnothing 1.00$
TL55-023	373	56.4	6	33.0	17.0	$\varnothing 1.20$
TL55-024	109	27.6	6	33.0	17.0	$\varnothing 1.20$
TL55-025	300	45.0	8	33.3	17.0	$\varnothing 1.20$
TL55-026	83	25.2	8	33.3	17.0	$\varnothing 1.20$
TL55-027	466	53.0	10	37.0	17.1	$\varnothing 1.30$
TL55-028	137	30.0	10	37.0	17.1	$\varnothing 1.30$
TL55-029	388	43.0	12	40.0	18.2	$\varnothing 1.50$
TL55-030	110	19.2	12	40.0	18.2	$\varnothing 1.50$
TL55-031	171	19.0	14	44.5	20.5	$\varnothing 1.60$
TL55-032	640	58.5	14	44.5	20.5	$\varnothing 1.60$
TL55-033	132	13.6	16	46.0	22.0	$\varnothing 1.80$
TL55-034	444	25.8	16	46.0	22.0	$\varnothing 1.80$
TL55-035	587	25.2	18	55.5	28.4	$\varnothing 2.00$
TL55-036	168	12.0	18	55.5	28.4	$\varnothing 2.00$
TL55-037	460	25.0	20	55.0	25.5	$\varnothing 2.30$
TL55-038	128	8.0	20	54.0	25.0	$\varnothing 2.30$
TL55-039	532	20.0	25	62.0	36.5	$\varnothing 2.50$
TL55-040	100	10.0	25	58.0	32.0	$\varnothing 2.50$