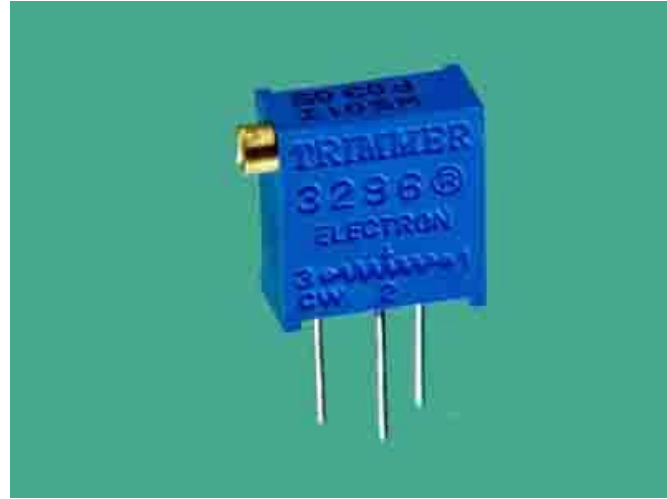


WIW3296



WIW3296 – Trimmer®**9mm Square Trimming potentiometer****Features****Multiturn / Cermet / Industrial / Sealed****5 terminal styles (W, X, P, Y, Z)****Available with a knob for finger adjust****Electrical Characteristics**

Standard Resistance Range	10 to 5 megohms(see standard resistance table)
Resistance Tolerance	±10% std.(tighter tolerance available)
Absolute Minimum Resistance	1% or 2 ohms max.(whichever is greater)
Contact Resistance Variation	3% or 3 ohms max.(whichever is greater)
Adjustability	Voltage ±0.01% Resistance ±0.05%
Resolution	Infinite
Insulation Resistance	500 vdc 1,000 megohms min.
Dielectric Strength	101.3 kPa 600 vdc 8.5 kPa 360 vdc
Effective Travel	25 turns nom.

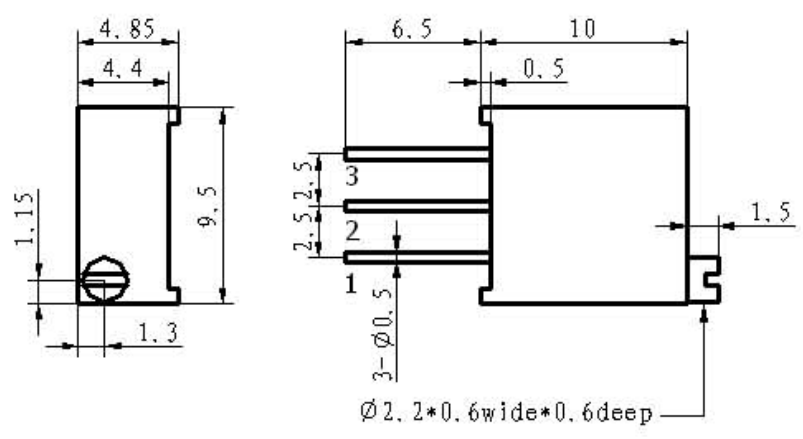
Environmental Characteristics

Power Rating (300 volts max.)	0.5 watt (70°C) , 0 watt (125°C)
Temperature Range	-55°C to +125°C
Temperature Coefficient	±100ppm/°C
Vibration	98 m/s ² (1%Δ TR; 1%Δ VR)
Shock	390 m/s ² (1%Δ TR; 1%Δ VR)
Load Life	1,000 hours 0.5 watt 70°C (3%Δ TR; 3% or 3 ohm, whichever is greater, CRV)
Rotational Life	200 cycles(3%Δ TR; 3% or 3 ohm, whichever is greater, CRV)

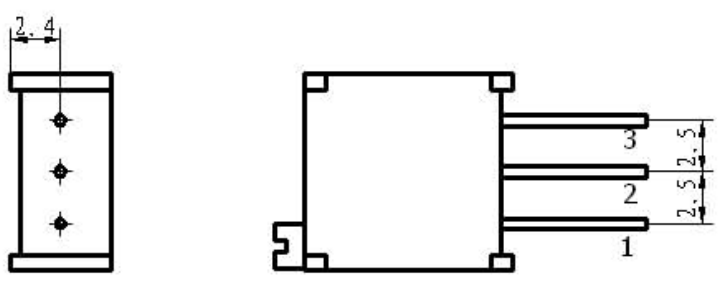
Physical Characteristics

Torque	36 mN • m max.
Mechanical Stops	Wiper idles
Terminals	Solderable pins
Standard Packaging	50 pcs. per tube

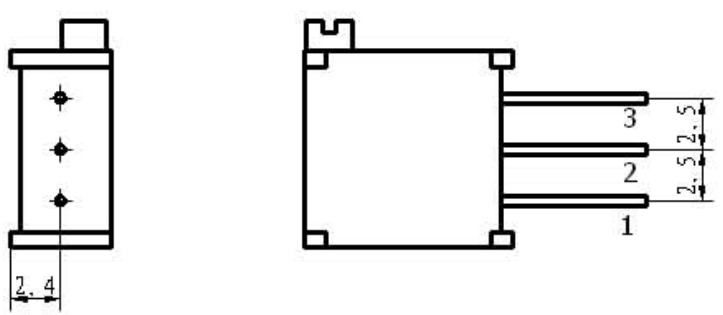
WIW3296 Common Dimensions



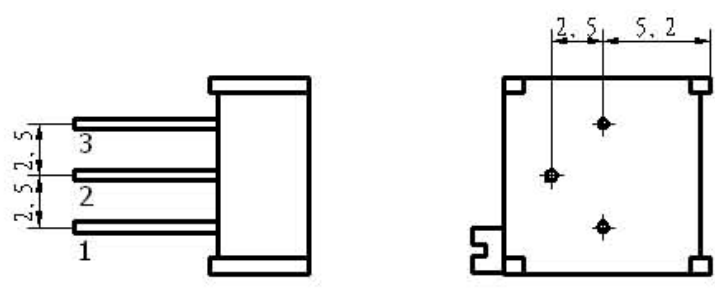
WIW3296W



WIW3296X

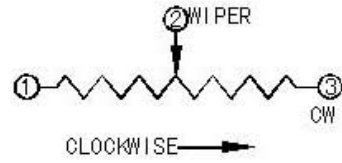
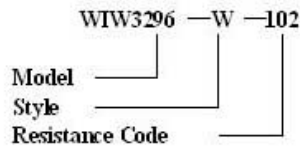


WIW3296P



WIW3296Y

How to order



standard Resistance Table

Resistance (Ohms)	Resistance Code
10	100
20	200
50	500
100	101
200	201
500	501
1,000	102
2,000	202
5,000	502
10,000	103
20,000	203
25,000	253
50,000	503
100,000	104
200,000	204
250,000	254
500,000	504
1,000,000	105
2,000,000	205
5,000,000	505

Special resistance available

TCR in shaded areas $\leq \pm 250 \text{ppm}/^\circ\text{C}$

Detail Specification: Q/R Y256A-2007

Military Detail Specification: ZZR - Q/R Y20021-2000