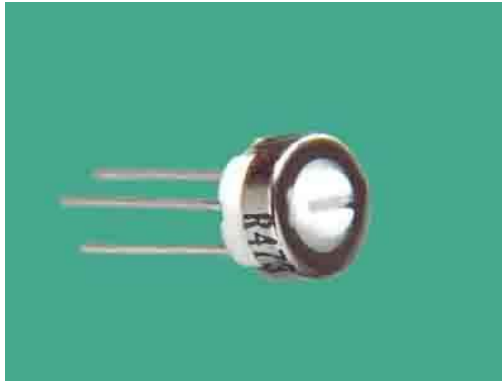


WIW3329

**WIW3329-Trimmer®****Round Trimming potentiometer****Features**

Single Turn / Cermet / Industrial / Sealed

Top and side adjust types (H,S,X,P most popular)

Electrical Characteristics

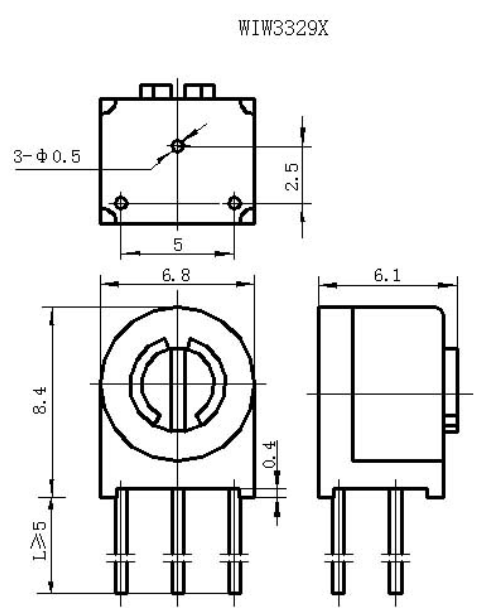
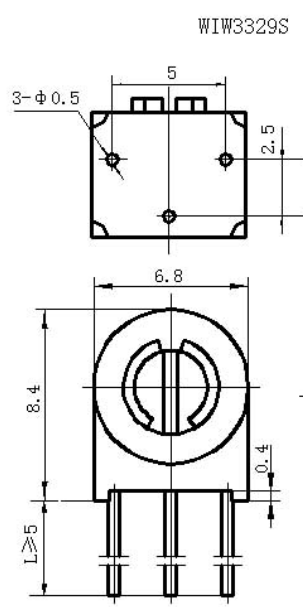
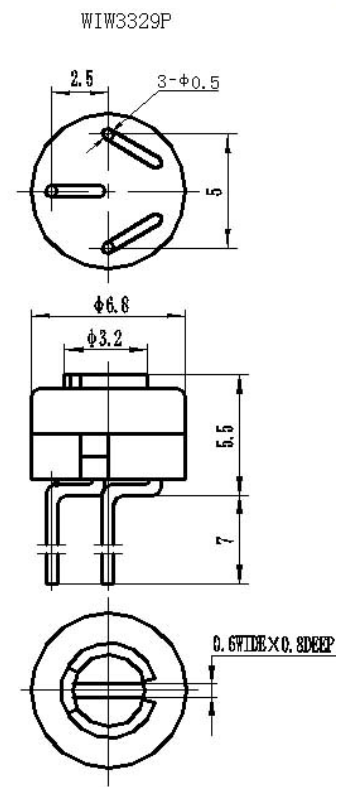
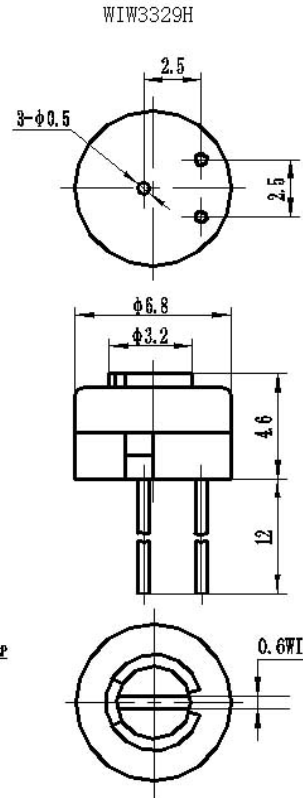
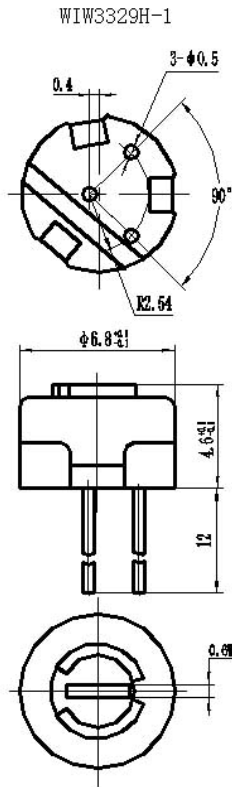
Standard Resistance Range	10 to 2 megohms (see standard resistance table)
Resistance Tolerance	±10% or ±20% std. (tighter tolerance available)
Absolute Minimum Resistance	1% or 2 ohms max. (whichever is greater)
Contact Resistance Variation	3% or 3 ohms max. (whichever is greater)
Adjustability	Voltage ±0.05% Resistance ±0.15%
Resolution	Infinite
Insulation Resistance	500 vdc 1,000 megohms min.
Dielectric Strength	101.3 kPa 500 vac 8.5 kPa 315 vac
Adjustment Angle	210° ±10° nom.

Environmental Characteristics

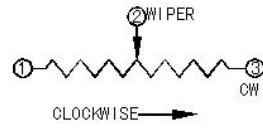
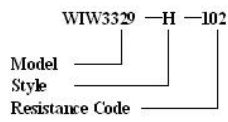
Power Rating (250 volts max.)	0.5 watt (70°C), 0 watt (125°C)
Temperature Range	-55°C to +125°C
Temperature Coefficient	±100ppm/°C
Vibration	98 m/s ² (3%Δ TR, 2%Δ VR)
Shock	390 m/s ² (3%Δ TR, 2%Δ VR)
Load Life	1,000 hours 0.5 watt @ 70°C (3%Δ TR; 3% or 3 ohm, Whichever is greater, CRV)
Rotational Life	100 cycles (3%Δ TR; 3% or 3 ohm, Whichever is greater, CRV)

Physical Characteristics

Mechanical Angle	250° ±10° nom.
Torque	20 mN · m max.
Stop Strength	50 mN · m min.



How to order



standard Resistance Table

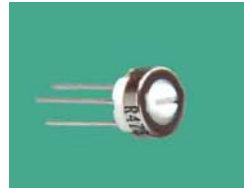
Resistance (Ohms)	Resistance Code
10	100
20	200
50	500
100	101
200	201
500	501
1,000	102
2,000	202
5,000	502
10,000	103
20,000	203
25,000	253
50,000	503
100,000	104
200,000	204
250,000	254
500,000	504
1,000,000	105
2,000,000	205

Special resistance available

Detail Specification: Q/R Y 237-2000



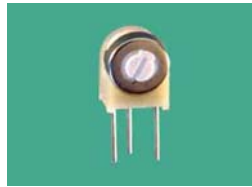
WIW3329-H



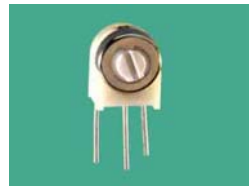
WIW3329-H1



WIW3329-P



WIW3329-S



WIW3329-X