



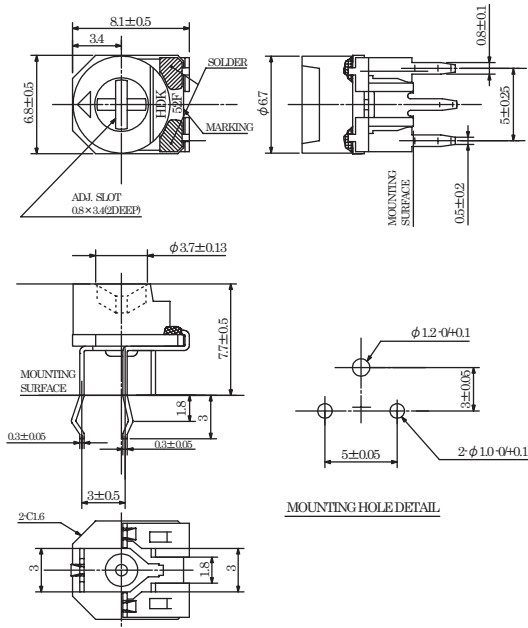
Miniature Cermet Trimmer Potentiometers

■ Features

- Dimension 6.8 mm × 8.1 mm
- Lead Spacing 5 mm × 3 mm
- For resistance adjustment, knob can be tuned by commercially-available driver.
- High flame-retardant material is used for knob.(V-0)
- This is High-rated type.
- Feeding method is bulk.
- Pb-free for environmental-friendly.



■ Dimensions (Unit:mm)



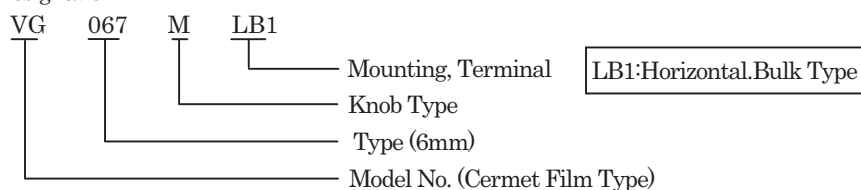
■ Applications

- For Deflection Yoke

■ Specifications

Item	Specification	Unit	Note
Operating Temperature Range	-30 ~ +120	°C	
Storage Temperature Range	-40 ~ +120	°C	
Resistance Range	10,20,50,100,200,500	Ω	
Resistance Tolerance	± 15	%	
Power Rating	0.7	W	
Max. Working Voltage	100	V	
Rotation Angle	240±10	°	
Operation Torque	2.94~29.4	mN·m	
Concentrated Contact Resistance	Within 4% of Total Resistance Value	%	
Noise(Contact Resistance Variation)	Within 3% of Total Resistance Value	%	
Ineffective Variable Range	Within 10% of Total Rotation Angle	%	
Temperature Coefficient	± 250	ppm/°C	

■ Model Designation

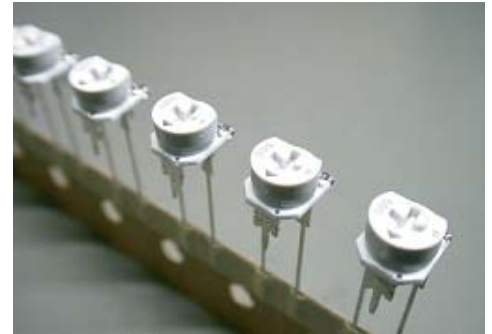




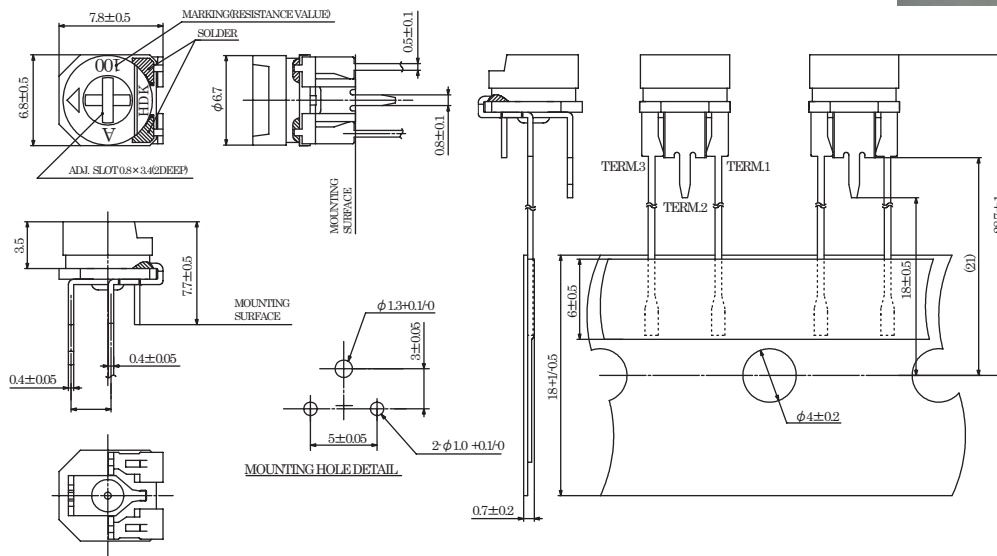
Miniature Cermet Trimmer Potentiometers

■ Features

- Dimension 6.8 mm × 7.8 mm
- Lead Spacing 5 mm × 3 mm
- For resistance adjustment, knob can be tuned by commercially-available driver.
- High flame-retardant material is used for knob.(V-0)
- This is High-rated type.
- Feeding method is Taping.
- Pb-free for environmental-friendly.



■ Dimensions (Unit:mm)



■ Applications

- For Deflection Yoke

■ Specifications

Item	Specification	Unit	Note
Operating Temperature Range	-30 ~ +120	°C	
Storage Temperature Range	-40 ~ +120	°C	
Resistance Range	10,20,50,100,200,500	Ω	
Resistance Tolerance	± 15	%	
Power Rating	0.7	W	
Max. Working Voltage	100	V	
Rotation Angle	240±10	°	
Operation Torque	2.94~29.4	mN·m	
Concentrated Contact Resistance	Within 4% of Total Resistance Value	%	
Noise(Contact Resistance Variation)	Within 3% of Total Resistance Value	%	
Ineffective Variable Range	Within 10% of Total Rotation Angle	%	
Temperature Coefficient	± 250	ppm/°C	

■ Model Designation

