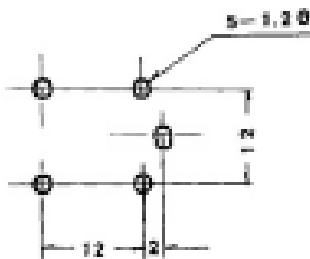
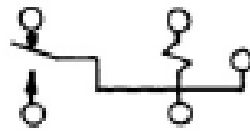


VOLTAGE	COIL RESIST.	NOMINAL POWER W	PULL IN	DROP OUT
12	400	0.36	"	"
3	25	0.36	75% MAX	10% MIN
5	69	0.36	"	"
6	100	0.36	"	"
9	225	0.36	"	"
24	1600	0.36	"	"
48	6400	0.36	"	"

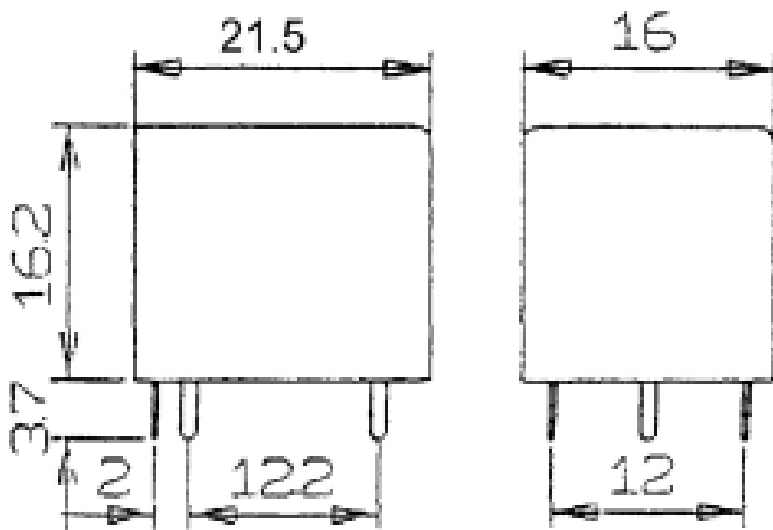
PRINTED CIRCUIT DIAGRAM



CONNECTION DIAGRAM



### Dimensions (Unit: mm)



### Suggested Model Cross Reference

OMRON: G2E

FUJITSU: FBR211SC/SE

OEG: OUA/OUAZ

SIEMENS: A/B201/V23101

TAKAMISAWA: MZ

P&B: T81