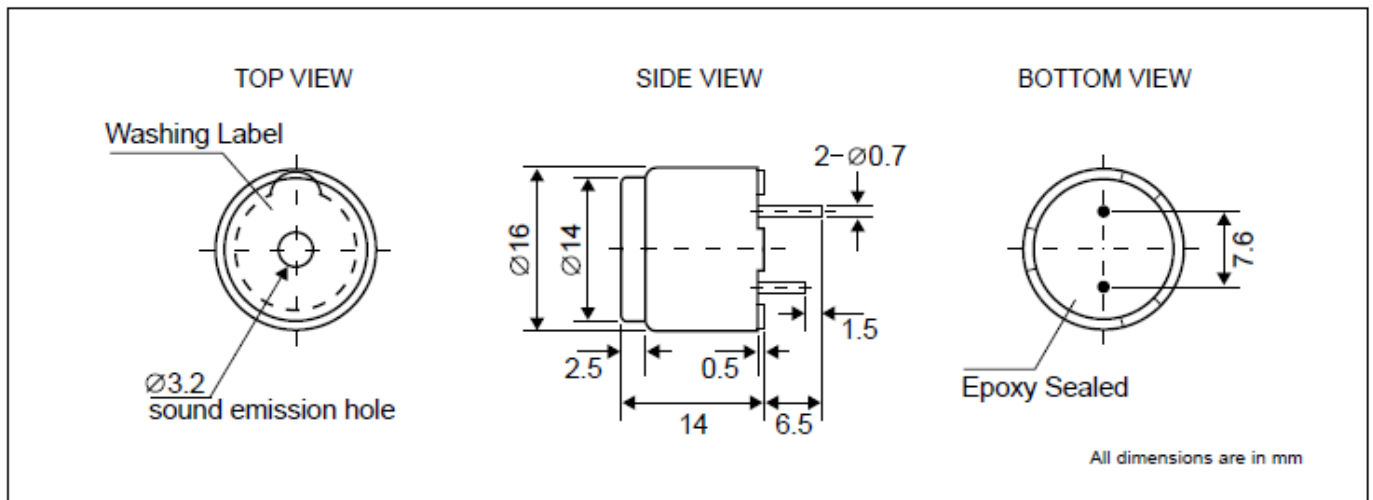


# Magnetic Buzzer

## SMB01 series

### NEW CODE SPECIFICATION

#### DIMENSIONS



Ref. no.: PC135U-R

Special Description : MB01-A6NP fulfil RoHS regulation, (Lead Free version)

#### ELECTRICAL SPECIFICATIONS

Model No.		MB01-A6NPR
Operating Voltage	[VDC]	4 ~ 8
Rated Voltage	[VDC]	6
* Max. Rated Current	[mA]	30
* Min. Sound Output	[dBA /10cm]	85
* Frequency	[Hz]	2300 +/- 300
Tone Nature		Single
Operating Temperature	[°C]	-20 ~ +70
Terminal		Pin
Housing Material		Noryl (Pb free version)
Colour		Black
Weight	[gm]	7