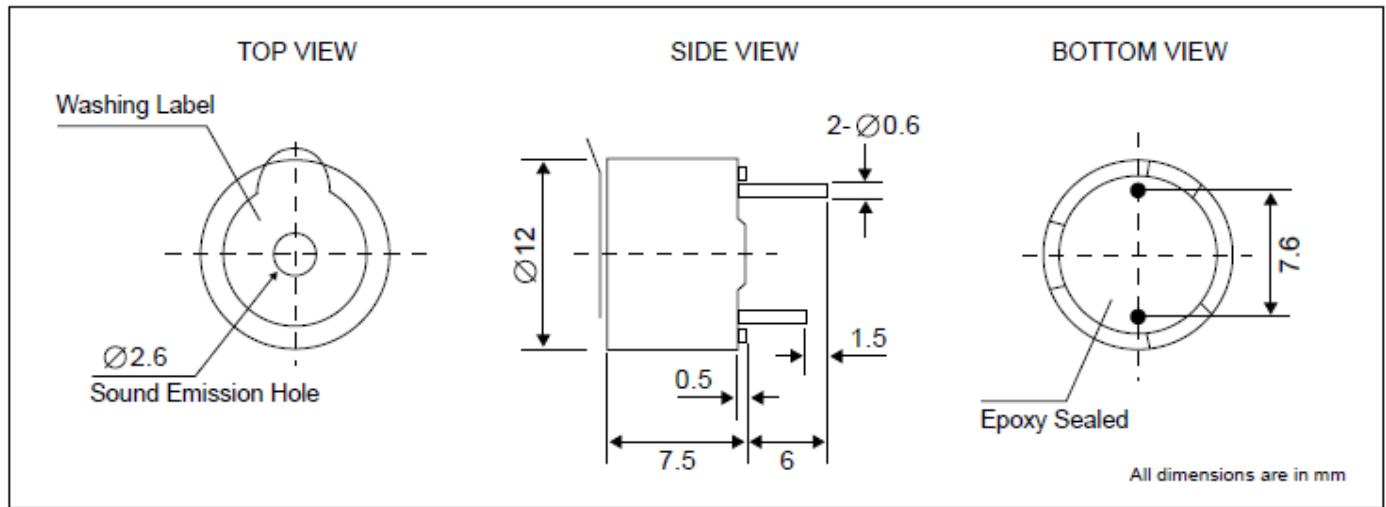


Magnetic Buzzer

SMB02 series

DIMENSIONS



Ref. no.: PC375DX-R

Remark: RoHS compliance

ELECTRICAL SPECIFICATIONS

Model No.		MB02-A12NPR
Operating Voltage	[VDC]	9 ~ 15
Rated Voltage	[VDC]	12
* Max. Rated Current	[mA]	30
* Min. Sound Output	[dBA /10cm]	85
* Frequency	[Hz]	2300 +/- 400
Tone Nature		Single
Operating Temperature	[°C]	-20 ~ +70
Terminal		Pin
Housing Material		Noryl (Pb Free version)
Colour		Black
Weight	[gm]	2