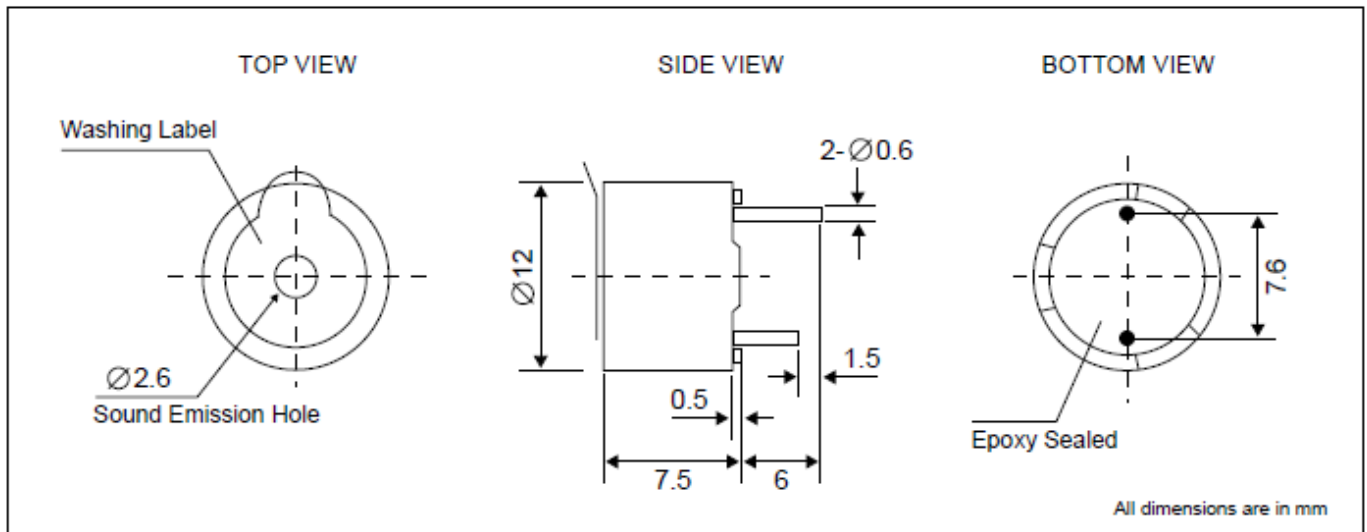


# Magnetic Buzzer

## SMB02 series

### DIMENSIONS



Ref. no.: PC373DX-R

Remark: RoHS compliance

### ELECTRICAL SPECIFICATIONS

Model No.		MB02-A1NPR
Operating Voltage	[VDC]	1.4 ~ 2
Rated Voltage	[VDC]	1.5
* Max. Rated Current	[mA]	25
* Min. Sound Output	[dBA /10cm]	75
* Frequency	[Hz]	2300 +/- 500
Tone Nature		Single
Operating Temperature	[°C]	-20 ~ +70
Terminal		Pin
Housing Material		Noryl (Pb Free Version)
Colour		Black
Weight	[gm]	2

\*Value applying at rated voltage