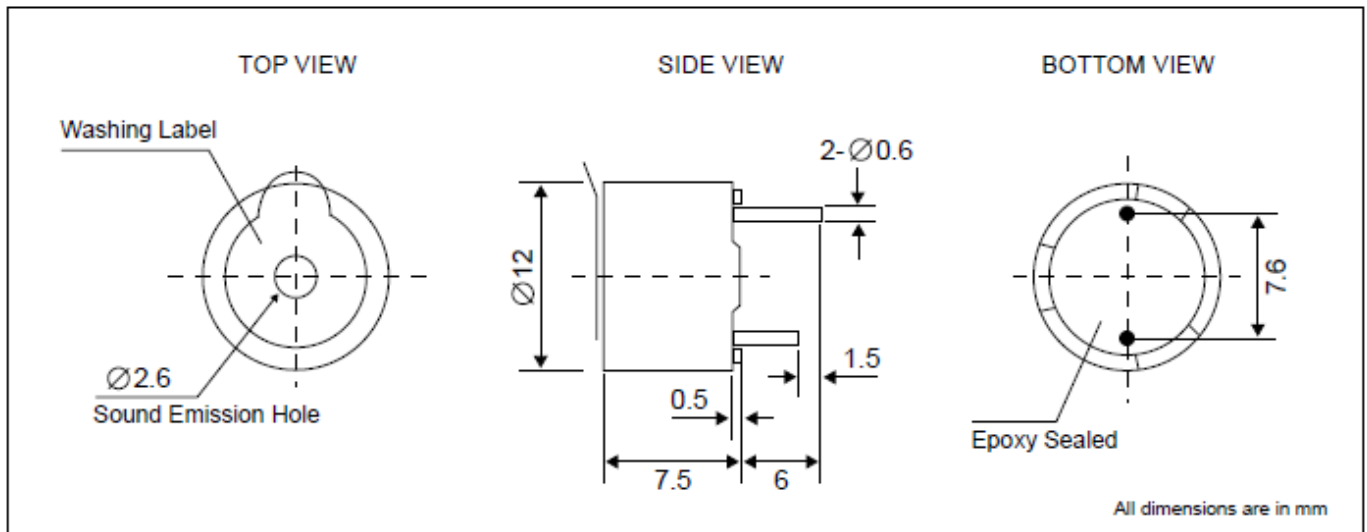


Magnetic Buzzer

SMB02 series

DIMENSIONS



Ref. no.: PC377DX-R

Special Description : RoHS

ELECTRICAL SPECIFICATIONS

Model No.		MB02-B5NPR
Operating Voltage	[VDC]	3 ~ 7
Rated Voltage	[VDC]	5
* Max. Rated Current	[mA]	30
* Min. Sound Output	[dBA /10cm]	83
* Frequency	[Hz]	3100 +/- 300
Tone Nature		Single
Operating Temperature	[°C]	-20 ~ +70
Terminal		Pin
Housing Material		Noryl (Pb Free Version)
Colour		Black
Weight	[gm]	2

*Value applying at rated voltage