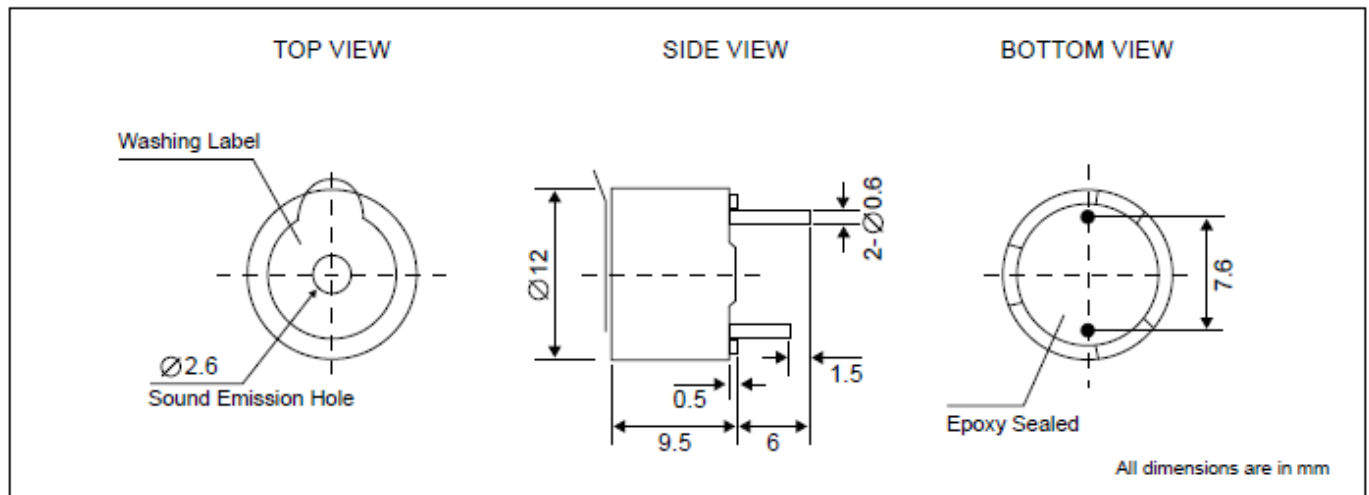


Magnetic Buzzer

SMB03 series

DIMENSIONS



Ref. no. : PC341DX

Special Description : MB03-A5NP fulfil RoHS regulation, Yellow label

ELECTRICAL SPECIFICATIONS

Model No.		MB03-A5NPR
Operating Voltage	[VDC]	4 ~ 7
Rated Voltage	[VDC]	5
* Max. Rated Current	[mA]	30
* Min. Sound Output	[dBA /10cm]	85
* Frequency	[Hz]	2300 +/- 300
Tone Nature		Single
Operating Temperature	[°C]	-40 ~ +85
Terminal		Pin
Housing Material		Noryl
Colour		Black
Weight	[gm]	2

*Value applying at rated voltage