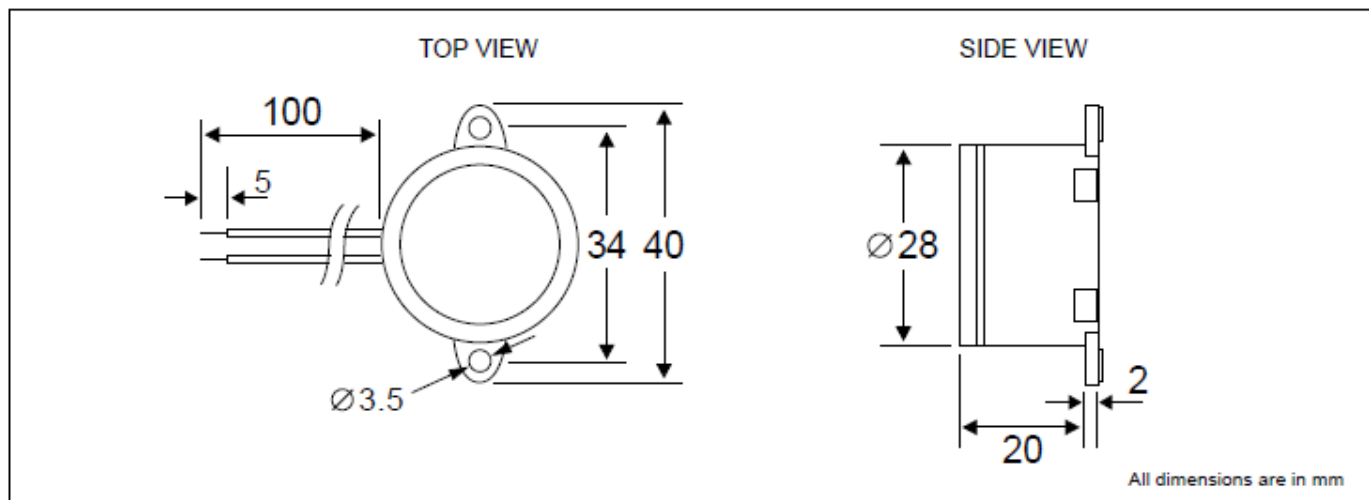


Magnetic Buzzer

SMB04 series

DIMENSIONS



Ref. no.: CT5318

Special Description : MB04PC12AW to fulfil RoHS regulation, (Lead Free version)

ELECTRICAL SPECIFICATIONS

Model No.		MB04-PC12AWR
Operating Voltage	[VDC]	8 ~ 15
Rated Voltage	[VDC]	12
* Max. Rated Current	[mA]	15
* Min. Sound Output	[dBA/30cm]	85
* Frequency	[Hz]	2900 +/- 300
# Tone Nature		Pulse
Operating Temperature	[°C]	-20 ~ +60
Terminal		Wire
Housing Material		ABS (Pb free version)
Colour		Black
Weight	[gm]	10