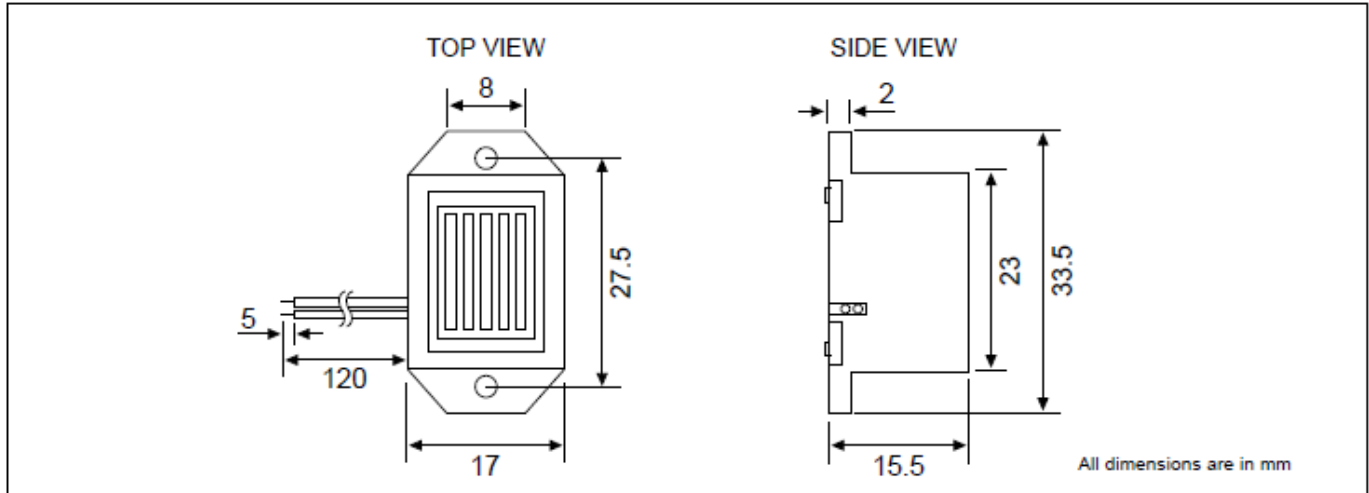


Mechanical Buzzer

SMEB02 series

DIMENSIONS



Ref no. : -

Remark : RoHS compliance

ELECTRICAL SPECIFICATIONS

Model No.		MEB02SA24AWR
Operating Voltage	[Vdc]	15 ~ 27
Rated Voltage	[Vdc]	24
* Max. Rated Current	[mA]	30
Frequency	[Hz]	400 +/- 50
* Min. Sound Output at 30cm	[dB]	75
Tone Nature		Single
Operating Temperature	[°C]	-20 ~ +65
Terminal		Wire
Housing Material		ABS
Housing Colour		Black
Weight	[gm]	8

* Value applying rated voltage