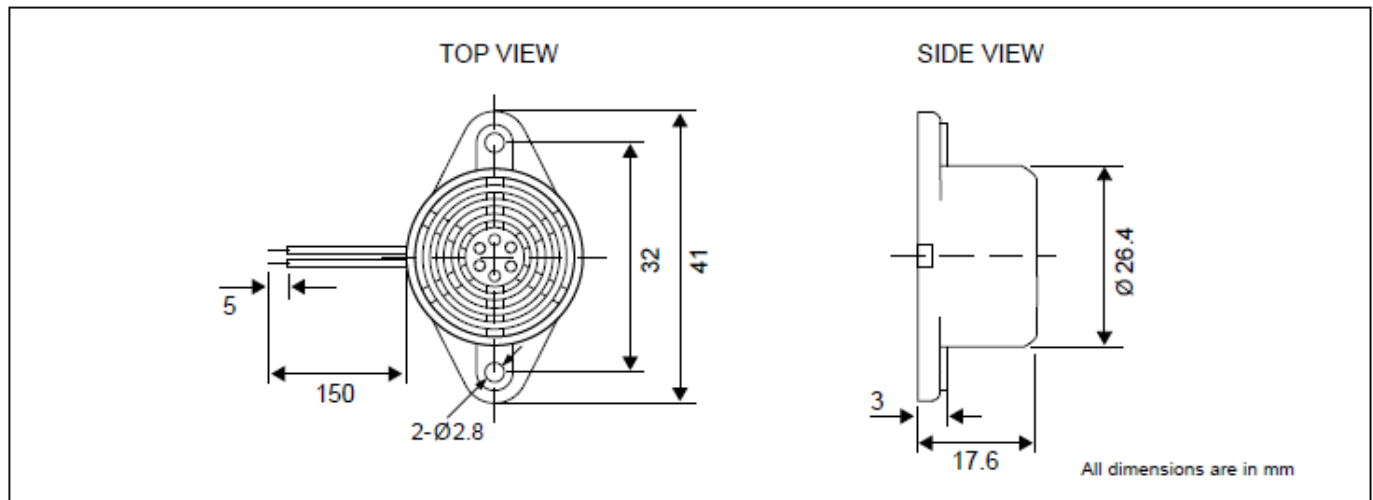


Mechanical Buzzer

SMEB07 series

DIMENSIONS



Ref no. : -

Remark : RoHS compliance

ELECTRICAL SPECIFICATIONS

Model No.		MEB07SA24AWR
Operating Voltage	[Vdc]	20 ~ 28
Rated Voltage	[Vdc]	24
* Max. Rated Current	[mA]	21
Frequency	[Hz]	400 +/- 100
* Min. Sound Output at 10cm	[dB]	95
Tone Nature		Single
Operating Temperature	[°C]	-20 ~ +70
Terminal		Wire
Housing Material		ABS
Housing Colour		White
Weight	[gm]	17

* Value applying rated voltage