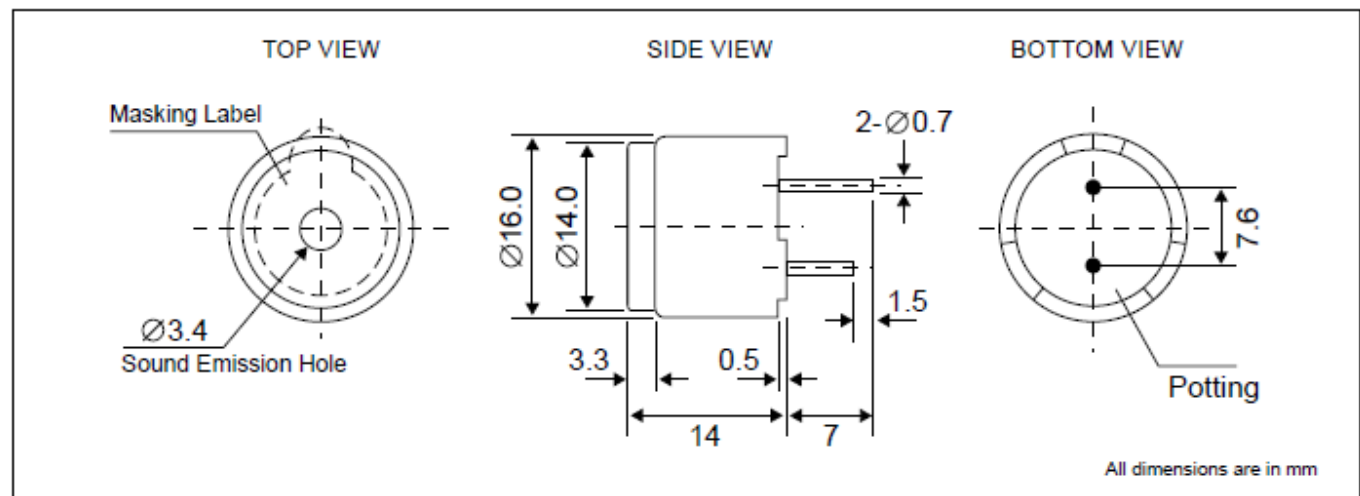


Magnetic Transducer

SMT04 series

DIMENSIONS



Ref no. : QS005

Remark : RoHS Compliance

ELECTRICAL SPECIFICATIONS

Model No.		MT04-B6DNPR
Operating Voltage□	[V]	4 ~ 8
Rated Voltage□ □	[V]	6
* Max. Rated Current□	[mA]	40
Coil Resistance□ □	[ohm]	50 +/- 5
# Coil Impedance□□	[ohm]	110
* Min. Sound Output□	[dBA/10cm]	85
Resonant Frequency□	[Hz]	2048
Operating Temperature□	[°C]	-20 ~ +70
Terminal		Pin
Housing Material		Noryl - MPPO
Colour		Black
Weight□ □ □	[gm]	7

Value applying [resonant frequency, sine wave, measuring current 60uA]

* Value applying rated voltage [resonant frequency, 1/2 duty, square wave] and recommended circuit [HFE >200, min.2.5mA]