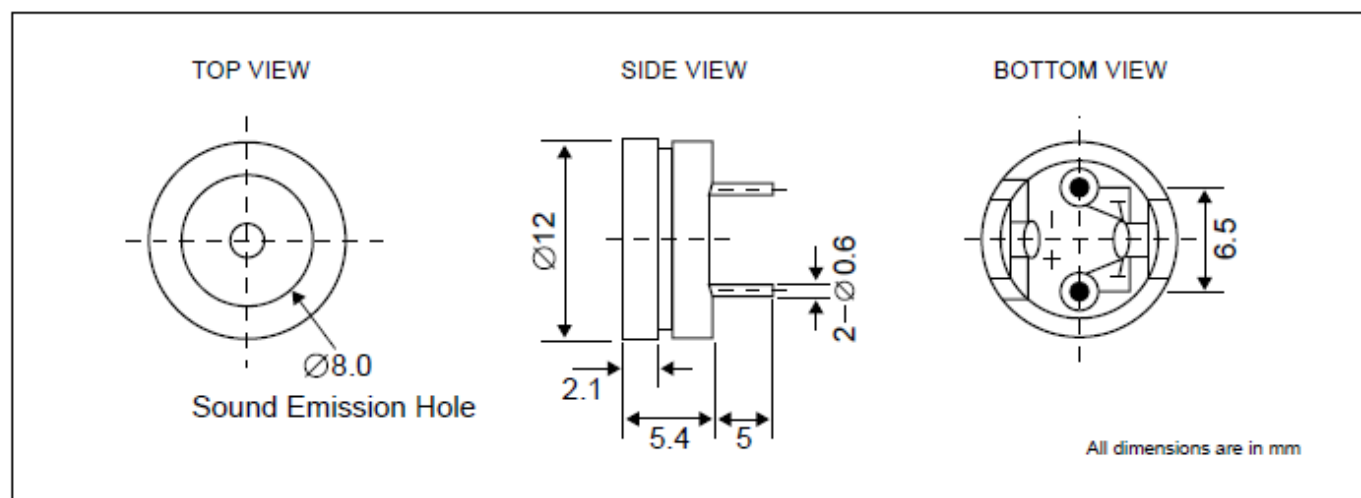


Magnetic Transducer

SMT05 series

DIMENSIONS



Ref no. : PC784-R

Remark : RoHS compliance

ELECTRICAL SPECIFICATIONS

Model No.		MT05-B1BNPR
Operating Voltage	□ [V]	1 ~ 2
Rated Voltage	□ □ [V]	1.5
* Max. Rated Current	□ [mA]	30
Coil Resistance	□ [ohm]	16 +/- 4.5
# Coil Impedance	□ [ohm]	40
* Min. Sound Output	□ [dBA /10cm]	75
Resonant Frequency	□ [Hz]	2048
Operating Temperature	□ [°C]	-20 ~ +60
Terminal		Pin
Housing Material		Noryl
Colour		Black
Weight	□ [gm]	2

Value applying [resonant frequency, sine wave, measuring current 60uA]

* Value applying rated voltage [resonant frequency, 1/2 duty, square wave] and recommended circuit [HFE >200, min.2.5mA]