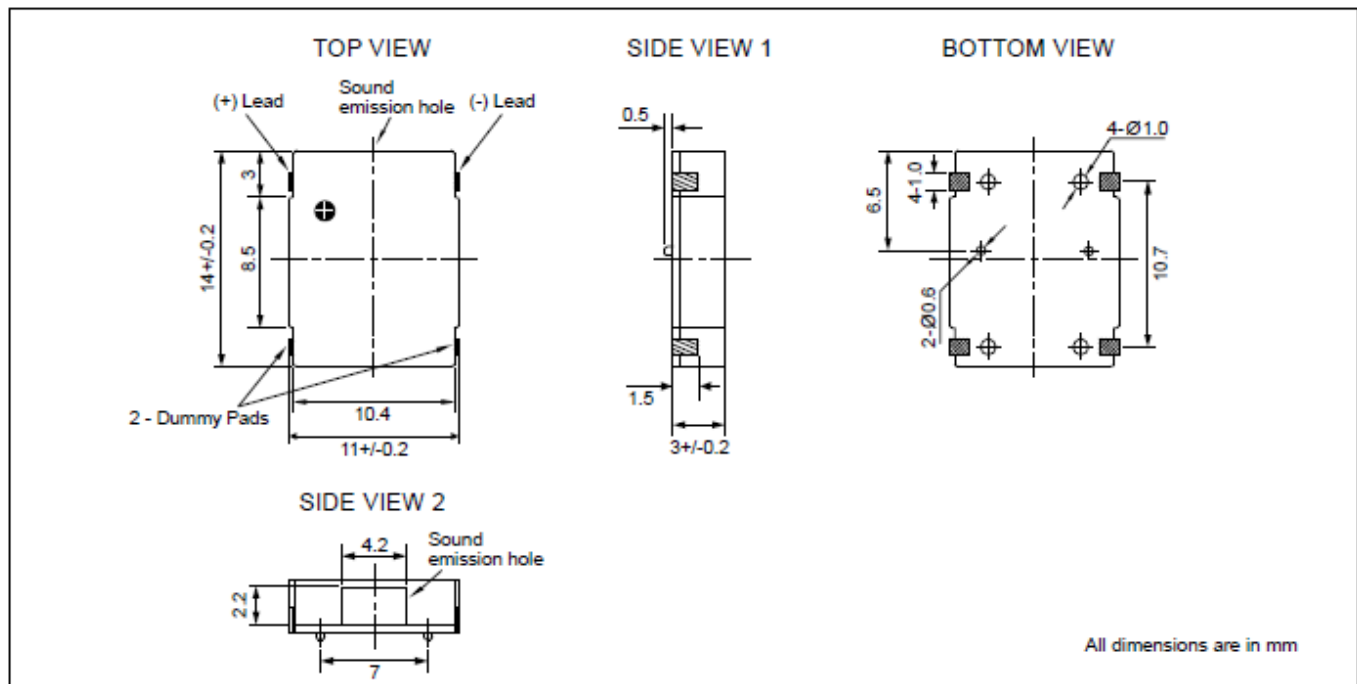


Magnetic Transducer

SMT15 series

DIMENSIONS



Ref. no.: CS050

Special Description : MT15-E5CLS to fulfil RoHS regulation, (Lead Free version)

ELECTRICAL SPECIFICATIONS

Model No.	MT15-E5CLSR
Operating Voltage □ □ [V]	4 ~ 7
Rated Voltage □ □ [V]	5
* Max. Rated Current □ [mA]	80
Coil Resistance □ [ohm]	42 +/- 4
* Min. Sound Output □ [dBA /10cm]	87
Resonant Frequency □ [Hz]	2731
Operating Temperature □ [°C]	-30 ~ +85
Terminal	SMD
Housing Material	LCP (Pb free version)
Colour	Black
Weight □ [gm]	1

* Value applying rated voltage [resonant frequency, 1/2 duty, square wave] and recommended circuit [HFE >200, min.2.5mA]