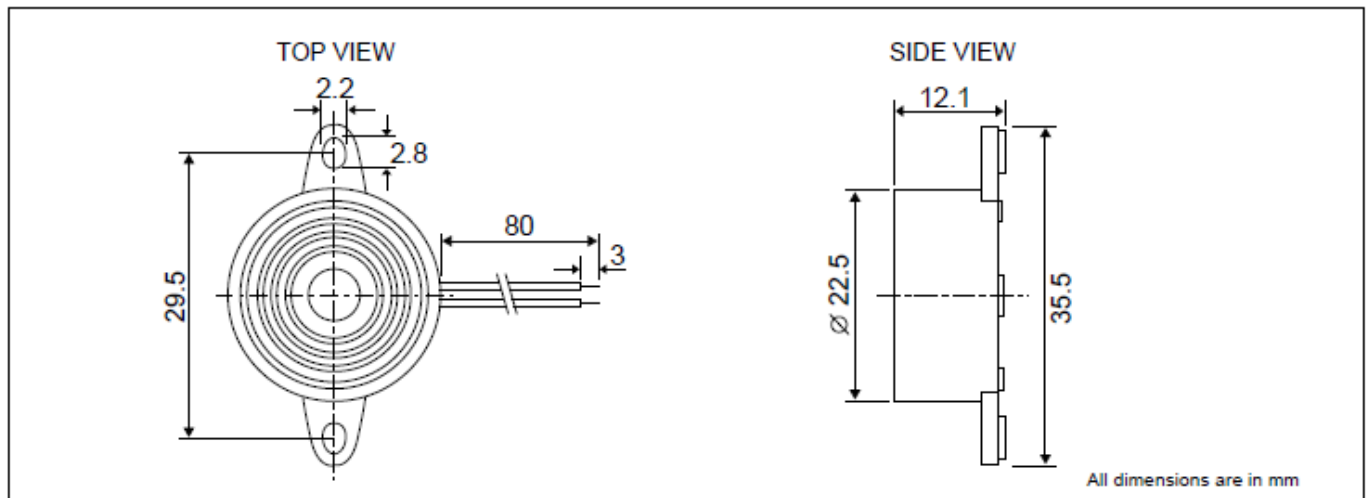


# Piezo Buzzer

## SPB02 series

### DIMENSIONS



Ref. no. : -

Remark : RoHS compliance

### ELECTRICAL SPECIFICATIONS

Model No.		PB02-SF12AWR
Operating Voltage	[VDC]	1.5 ~ 15
Rated Voltage	[VDC]	12
* Max. Rated Current	[mA]	20
* Min. Sound Output	[dBA /30cm]	90
* Frequency	[Hz]	5200 +/- 500
Tone Nature		Single
Operating Temperature	[°C]	-20 ~ +70
Terminal		Wire AWG#26-UL1007
Housing Material		ABS
Colour		Black
Weight	[gm]	14

\*Value applying at rated voltage