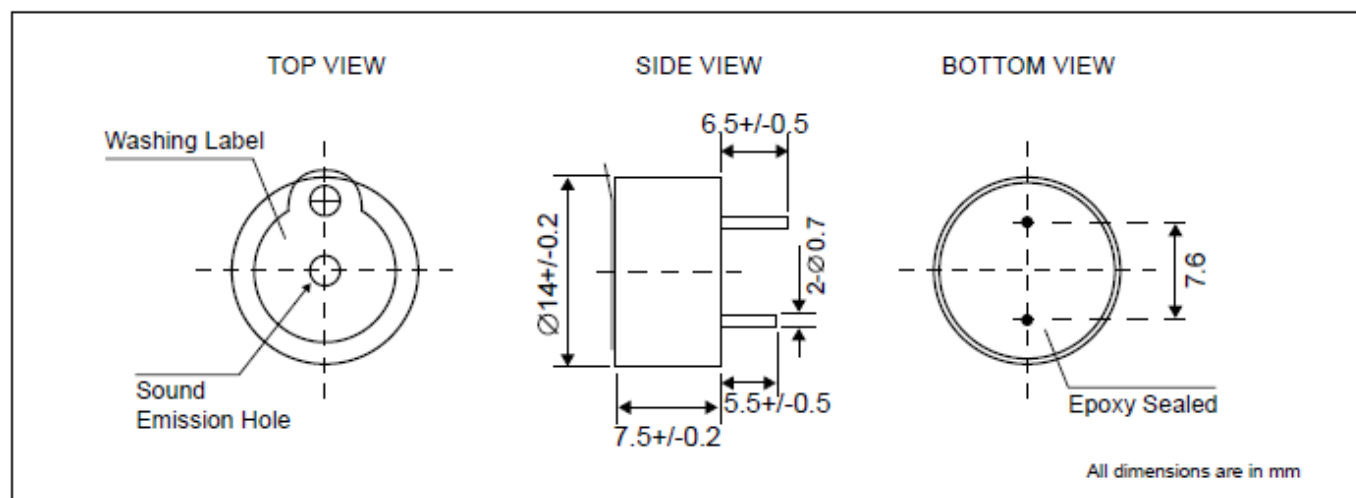


Piezo Buzzer

SPB04 series

DIMENSIONS



Ref. no. : PC585

Remark : RoHS regulation

ELECTRICAL SPECIFICATIONS

Model No.		PB04-SE12SHPR
Operating Voltage□	[VDC]	3 ~ 16
Rated Voltage□ □	[VDC]	12
* Max. Rated Current□	[mA]	10
* Min. Sound Output□	[dBA /10cm]	80
* Frequency□ □	[Hz]	4000 +/- 500
Tone Nature		Single
Operating Temperature□	[°C]	-20 ~ +60
Terminal		Pin
Housing Material		PBT
Colour		Black
Weight□ □ □	[gm]	2

*Value applying at rated voltage