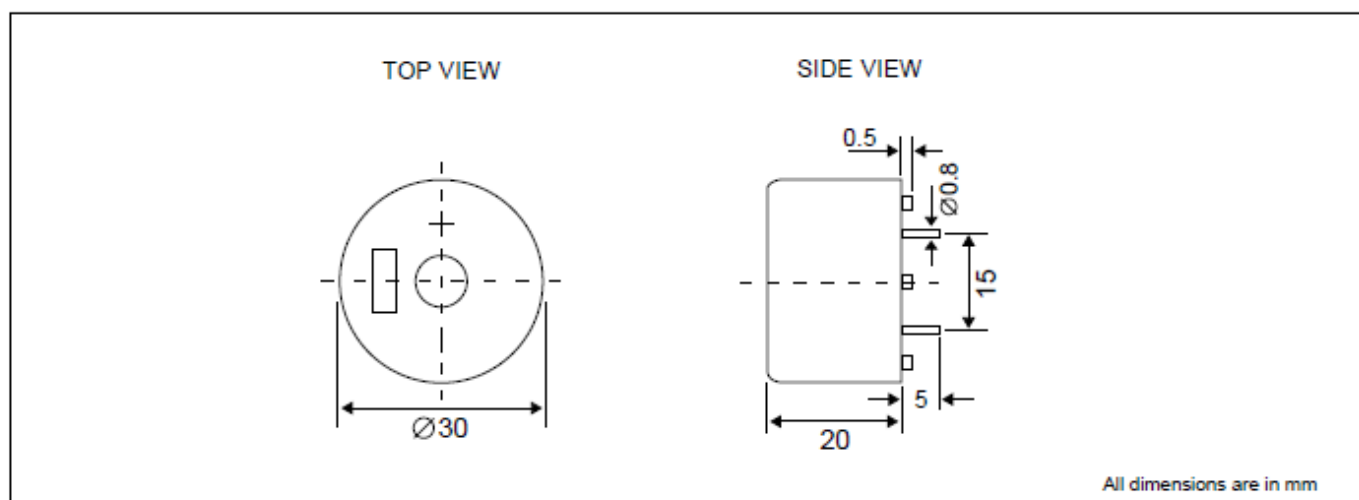


Piezo Buzzer

SPB05 series

DIMENSIONS



Ref. no. : -

Remark : RoHS compliance

ELECTRICAL SPECIFICATIONS

Model No.		PB05-SD3HPR
Operating Voltage	[VDC]	2 ~ 5
Rated Voltage	[VDC]	3
* Max. Rated Current	[mA]	9
* Min. Sound Output	[dBA /30cm]	90
* Frequency	[Hz]	3500 +/- 500
Tone Nature		Single
Operating Temperature	[°C]	-20 ~ +65
Terminal		Pin
Housing Material		PBT
Colour		Black
Weight	[gm]	10

*Value applying at rated voltage