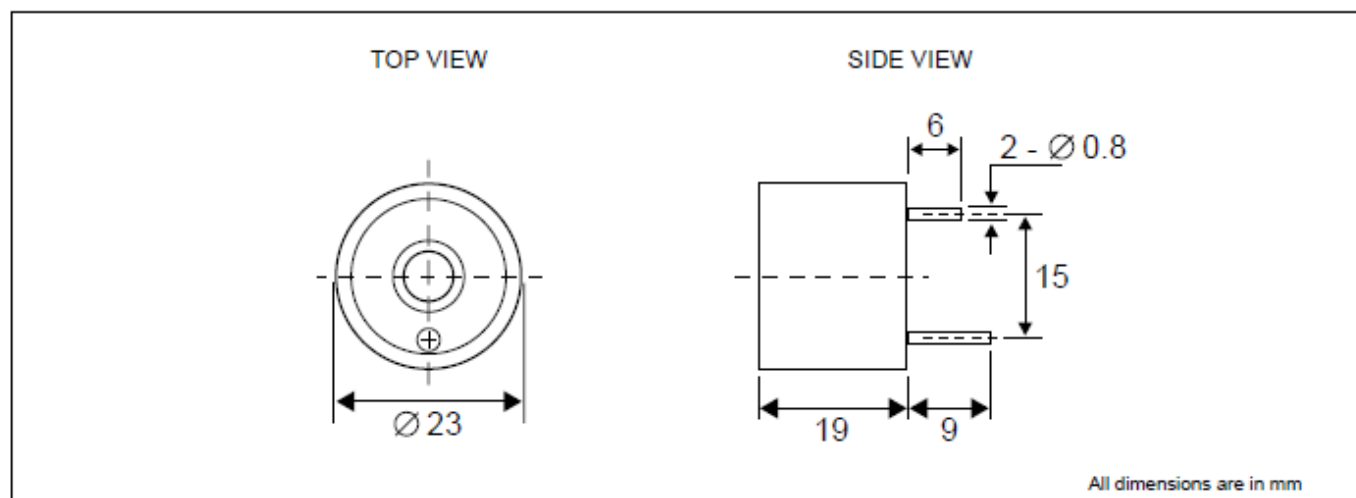


# Piezo Buzzer

## SPB06 series

### DIMENSIONS



Ref no. : PC752-R

Remark : RoHS compliance

### ELECTRICAL SPECIFICATIONS

Model No.		PB06SD24APR
Operating Voltage	[VDC]	18 ~ 28
Rated Voltage	[VDC]	24
* Max. Rated Current	[mA]	35
* Min. Sound Output	[dBA /30cm]	90
* Frequency	[Hz]	3300 +/- 500
Tone Nature		Single
Operating Temperature	[°C]	-20 ~ +60
Terminal		Pin
Housing Material		ABS-777D
Colour		Black
Weight	[gm]	8

\*Value applying at rated voltage