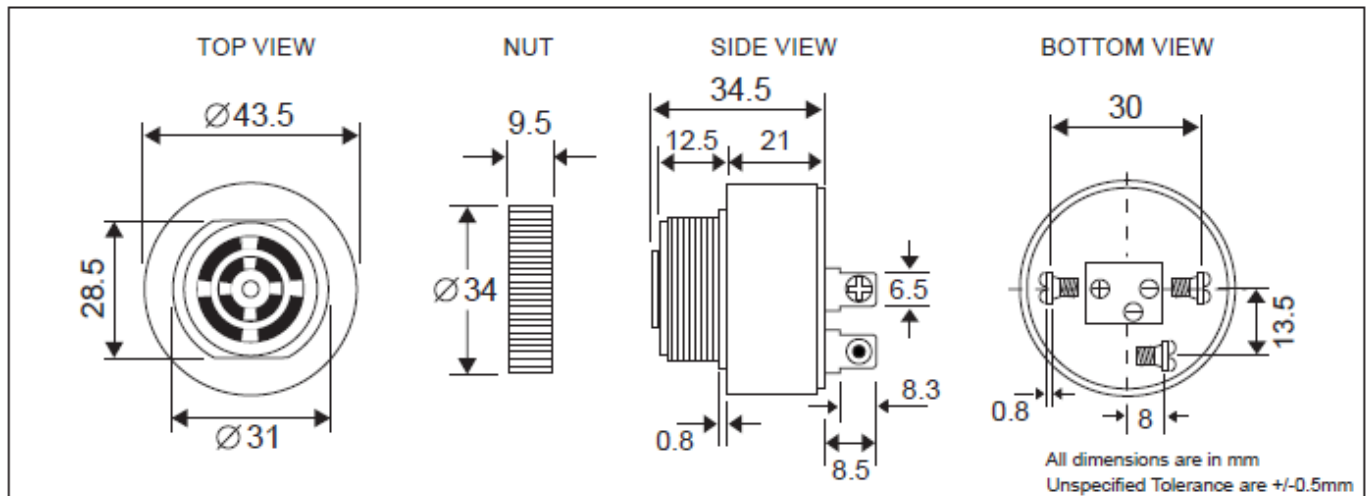


Piezo Buzzer

SPB09 series

DIMENSIONS



Ref. no.: PC696SC

Special Description : PB09DC12AT to fulfil RoHS regulation, (Lead Free version)

ELECTRICAL SPECIFICATIONS

Model No.		PB09-DC12ATR
Operating Voltage	[VDC]	3 ~ 18
Rated Voltage	[VDC]	12
* Max. Rated Current	[mA]	20
* Min. Sound Output	[dBA/30cm]	95
* Frequency	[Hz]	2900 +/- 500
Tone Nature		Single / Pulse
Operating Temperature	[°C]	-20 ~ +60
Terminal		Plate
Housing Material		ABS
Colour		Black
Weight	[gm]	35

*Value applying at rated voltage