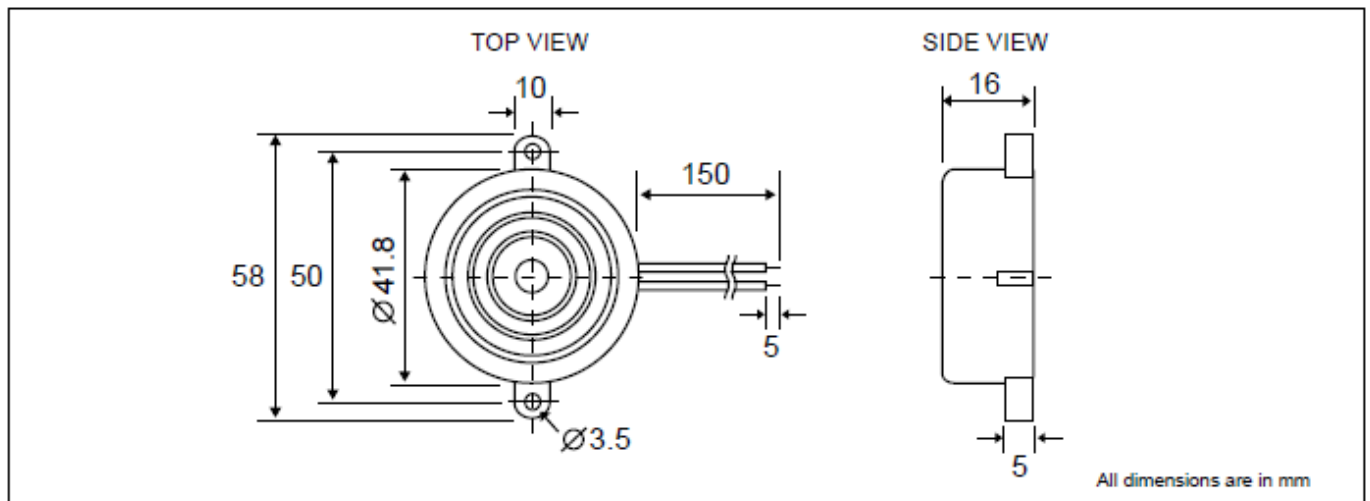


Piezo Buzzer

SPB10 series

DIMENSIONS



Ref no. : QS038-R

Remark : ROHS compliance

ELECTRICAL SPECIFICATIONS

Model No.		PB10SC12AWR
Operating Voltage	[VDC]	3 ~ 20
Rated Voltage	[VDC]	12
* Max. Rated Current	[mA]	12
* Min. Sound Output	[dBA /30cm]	100
* Frequency	[Hz]	2800 +/- 500
Tone Nature		Single
Operating Temperature	[°C]	-20 ~ +60
Terminal		Wire
Housing Material		ABS
Colour		Black
Weight	[gm]	12.5

*Value applying at rated voltage