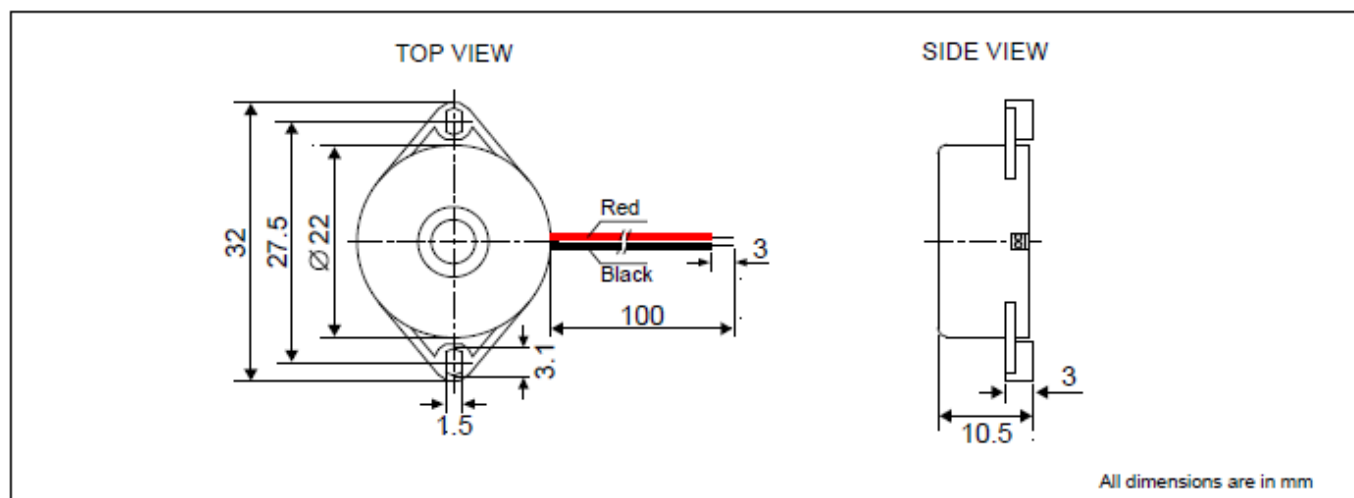


Piezo Buzzer

SPB12 series

DIMENSIONS



Ref. no. : QS036-R

Remark : RoHS compliance

ELECTRICAL SPECIFICATIONS

Model No.		PB12-SE12AWR
Operating Voltage	[VDC]	3 ~ 30
Rated Voltage	[VDC]	12
* Max. Rated Current	[mA]	15
* Min. Sound Output	[dBA /30cm]	85
* Frequency	[Hz]	4200 +/- 500
Tone Nature		Single
Operating Temperature	[°C]	-20 ~ +80
Terminal		Wire
Housing Material		ABS
Colour		Black
Weight	[gm]	6

*Value applying at rated voltage