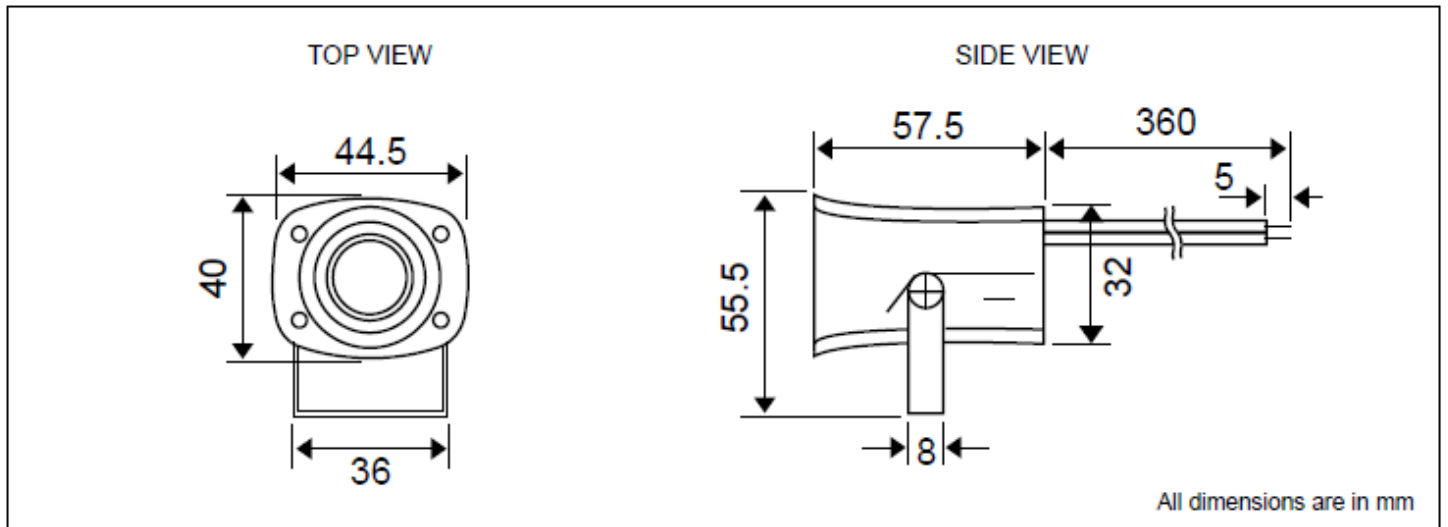


Piezo Buzzer

SPB17 series

DIMENSIONS



Ref No. : PC027NK-R

Remark : RoHS Compliance

ELECTRICAL SPECIFICATIONS

Model No.		PB17RC12AWR
Operating Voltage□	[VDC]	6 ~ 16
Rated Voltage□ □	[VDC]	12
* Max. Rated Current□	[mA]	200
* Min. Sound Output□	[dBA /100cm]	100
* Frequency□ □	[Hz]	1500 ~ 3500
Tone Nature		Siren
Operating Temperature□	[°C]	-20 ~ +70
Terminal		Wire - UL1007 AWG#22
Housing Material		ABS
Colour		Black
Weight□ □ □	[gm]	70

*Value applying at rated voltage