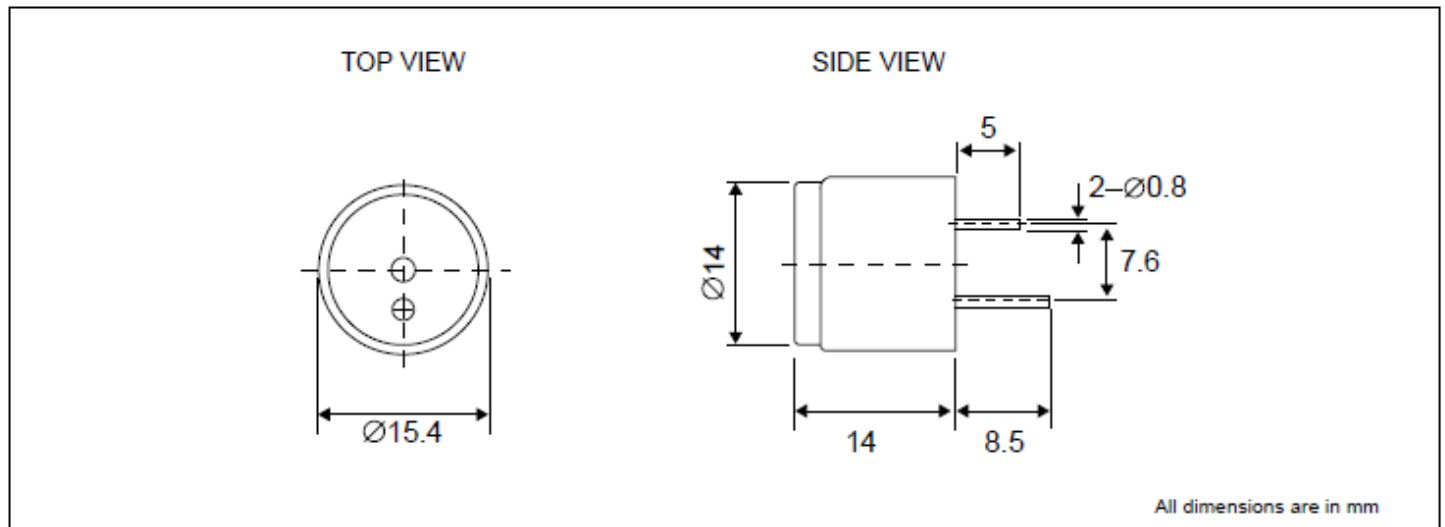


# Piezo Buzzer

## SPB21 series

### DIMENSIONS



Ref. no. : PC229U-R



### ELECTRICAL SPECIFICATIONS

Model No.		PB21-SE5NPR
Operating Voltage	[VDC]	1 ~ 12
Rated Voltage	[VDC]	5
* Max. Rated Current	[mA]	15
* Min. Sound Output	[dBA / 10cm]	83
* Frequency	[Hz]	4000 +/- 500
Tone Nature		Single
Operating Temperature	[°C]	-20 ~ +70
Storage Temperature	[°C]	-30 ~ +80
Terminal		Pin
Housing Material		Noryl
Colour		Black
Weight	[gm]	2.5

\*Value applying at rated voltage