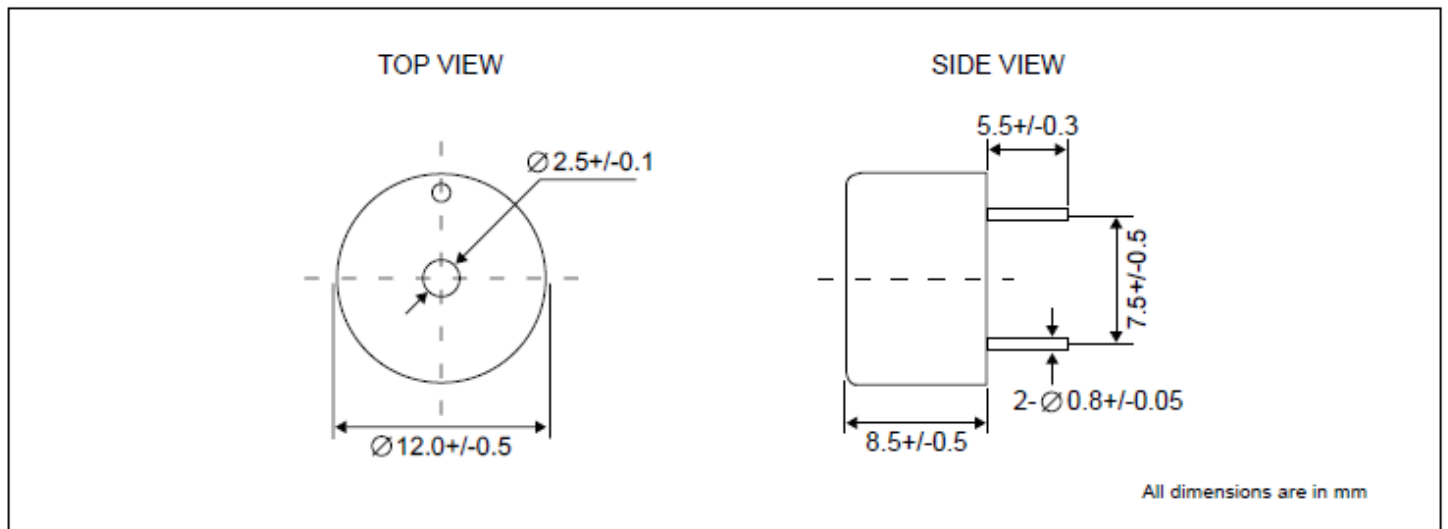


Piezo Buzzer

SPB26 series

DIMENSIONS



Remark: PC005GC-R, RoHS

ELECTRICAL SPECIFICATIONS

Model No.		PB26-SF12HPR
Operating Voltage	[VDC]	3 ~ 18
Rated Voltage	[VDC]	12
* Max. Rated Current	[mA]	8
* Min. Sound Output	[dBA /30cm]	75
* Frequency	[Hz]	5000 +/- 1000
Tone Nature		Single
Operating Temperature	[°C]	-20 ~ +70
Terminal		Pin
Housing Material		PBT
Colour		Black
Weight	[gm]	2

*Value applying at rated voltage