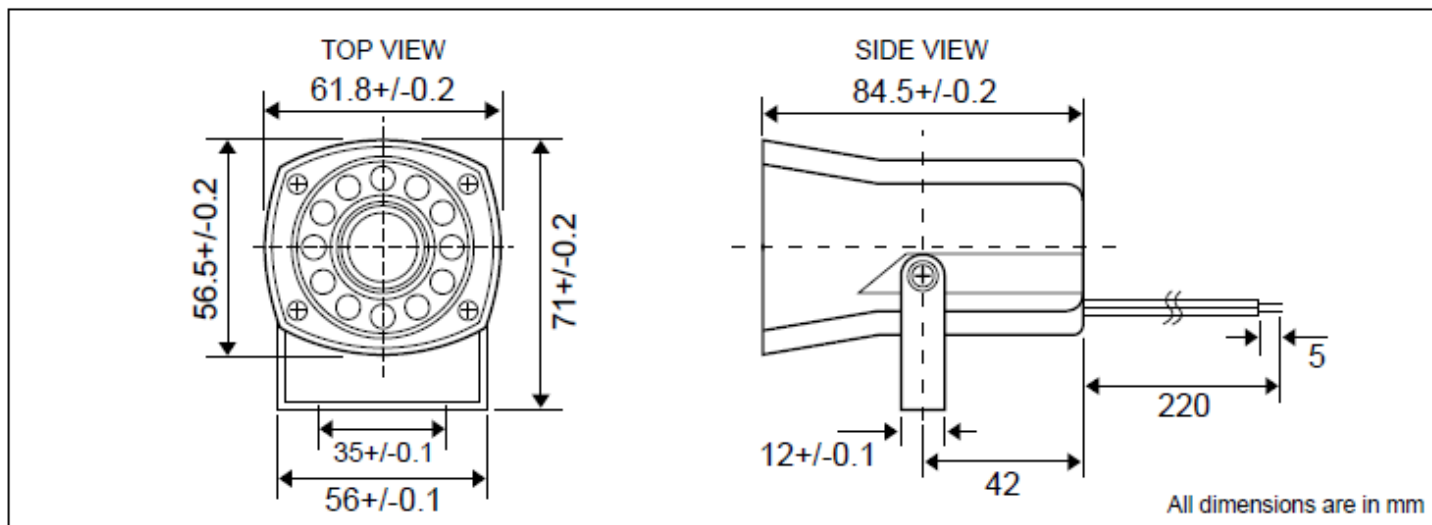


Piezo Buzzer

SPB27 series

DIMENSIONS



Ref no. : PC013NK-R

Remark : RoHS Compliance

ELECTRICAL SPECIFICATIONS

Model No.		PB27RC12AWR
Operating Voltage□	[VDC]	6 ~ 15
Rated Voltage□ □	[VDC]	12
* Max. Rated Current□	[mA]	280
* Min. Sound Output□	[dBA /100cm]	105
* Frequency□ □	[Hz]	1500 ~ 3500
Tone Nature		Siren
Operating Temperature□	[°C]	-20 ~ +60
Terminal		Wire
Housing Material		ABS
Colour		Black
Weight□ □ □	[gm]	129

*Value applying at rated voltage