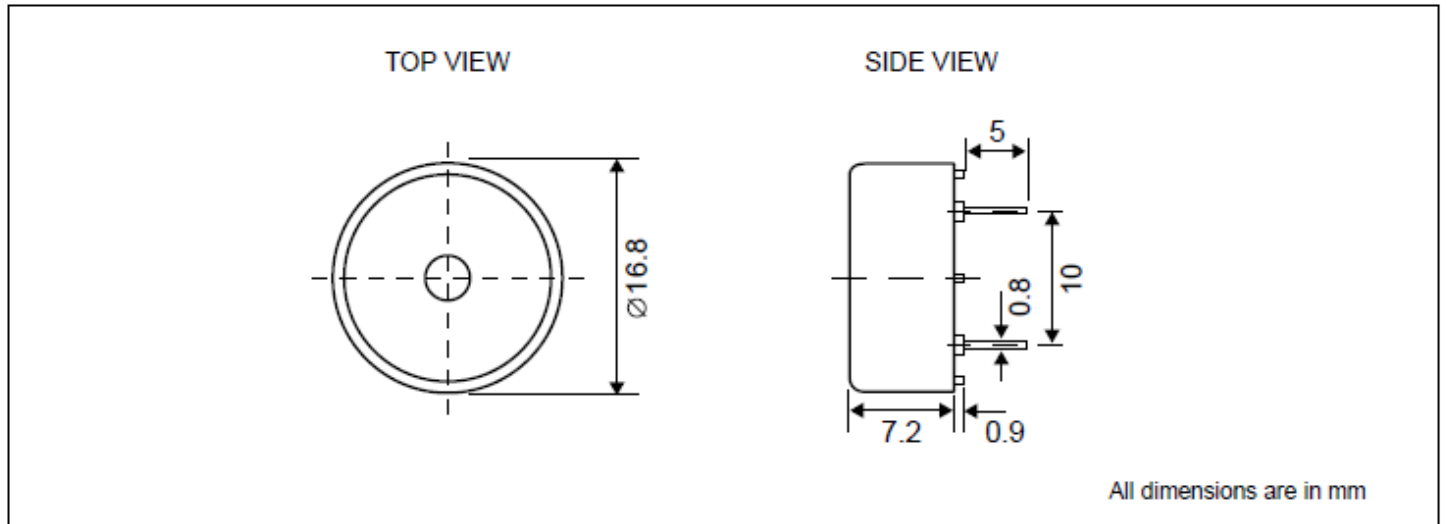


# External Drive Piezo Transducer

## SPT04 series

### DIMENSIONS



Ref. no.: PC638

Special Description : PT04-170740HP fulfil RoHS regulation, (Lead Free version)

### ELECTRICAL SPECIFICATIONS

Model No.	PT04-170740HPR
Sound Pressure Level	85 dBA min. [3V rms Sine Wave, 10cm, 4000Hz]
Capacitance	10500 pF +/- 30% at 120Hz
Max. Input Voltage	30V p-p
Operating Temperature $\square$ [°C]	-20 ~ +60
Terminal	PIN
Housing Material	PBT (Pb free version)
Housing Colour	Black
Weight $\square \square$ $\square$ [gm]	3