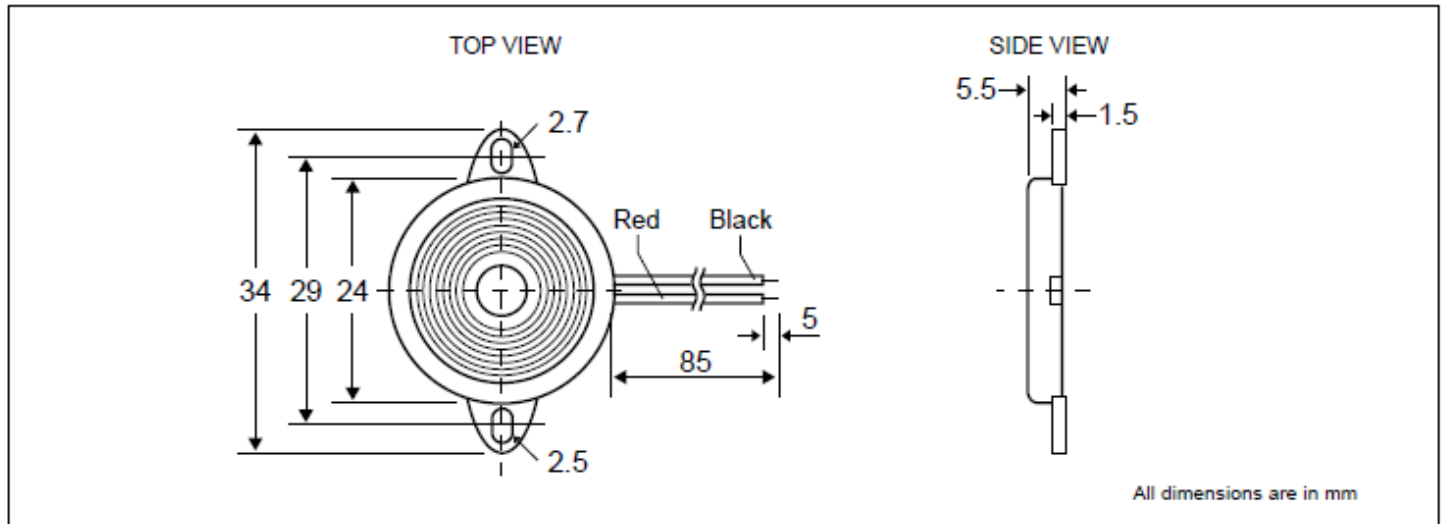


External Drive Piezo Transducer

SPT08 series

DIMENSIONS



Remark : ref.PC682, RoHS

ELECTRICAL SPECIFICATIONS

Model No.	PT08-245540AWR
Sound Pressure Level	85 dBA min. [12Vp-p Square Wave, 30cm, 4000Hz]
Capacitance	20000 pF +/- 30% at 120Hz
Max. Input Voltage	30V p-p
Operating Temperature □ [°C]	-20 ~ +60
Terminal	wire
Housing Material	ABS
Housing Colour	Black
Weight □ □ □ [gm]	5