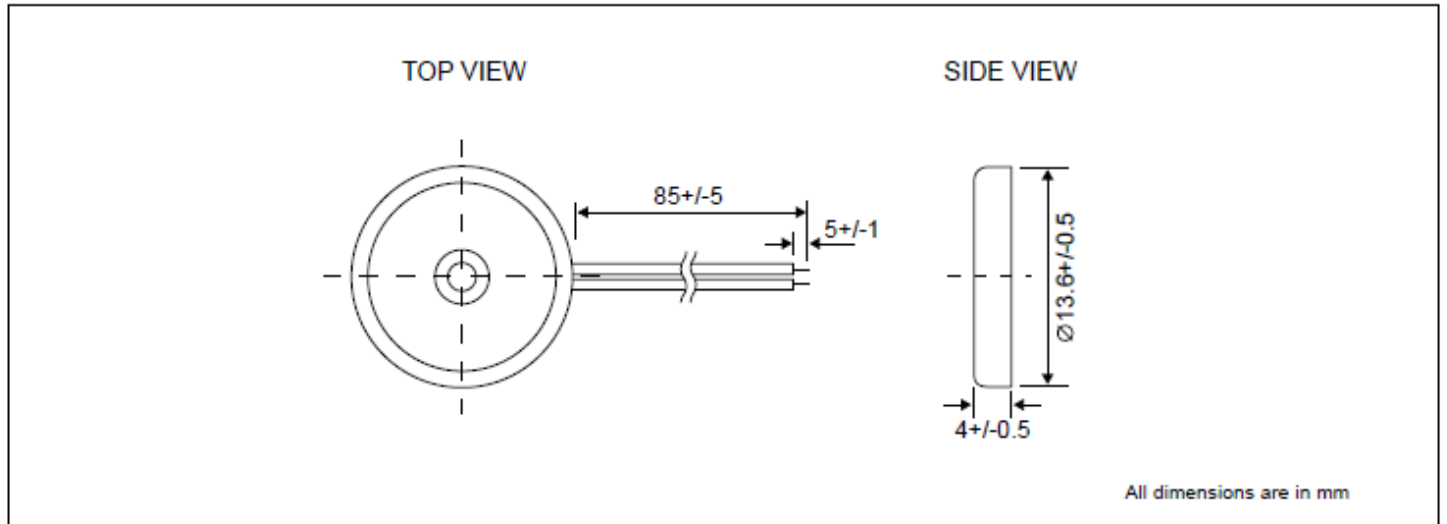


# External Drive Piezo Transducer

## SPT24 series

### DIMENSIONS



Remark : RoHS

### ELECTRICAL SPECIFICATIONS

Model No.	PT24-140448AWR
Sound Pressure Level	80 dBA min. [9V p-p Square Wave, 10cm, 4800Hz]
Capacitance	10000 pF +/- 30% at 120Hz
Max. Input Voltage	30V p-p
Operating Temperature $\square$ [°C]	-20 ~ +70
Terminal	Wire - UL1571 AWG#32
Housing Material	ABS
Housing Colour	Black
Weight $\square \square \square$ [gm]	1