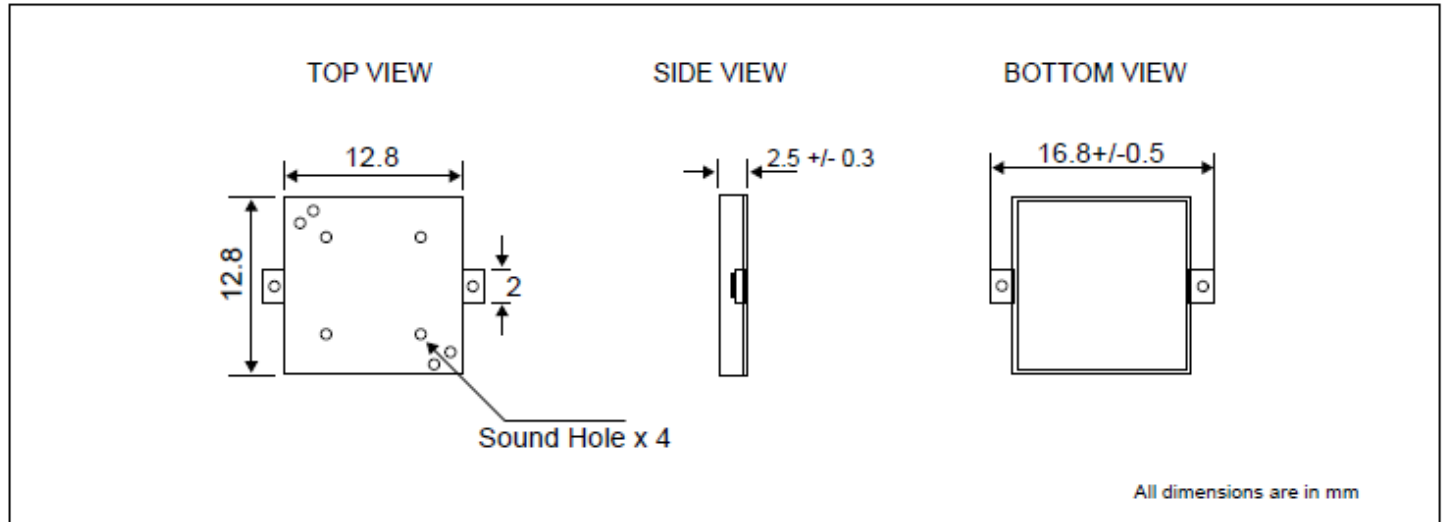


# External Drive Piezo Transducer

## SPT34 series

### DIMENSIONS



Ref. no.: CS032

Special Description : RoHS compliance

### ELECTRICAL SPECIFICATIONS

Model No.	PT34-132540LMR
Sound Pressure Level	72 dBA min. [ 5 Vp-p Square Wave, 10cm, 4000Hz]
Capacitance	15000 pF +/- 30% at 100Hz
Max. Input Voltage	25 Vp-p
Operating Temperature [°C]	-40 ~ +105
Storage Temperature [°C]	-40 ~ +120
Housing Material	Plastic - LCP
Terminal	SMD
Colour	Black
Weight [gm]	0.9