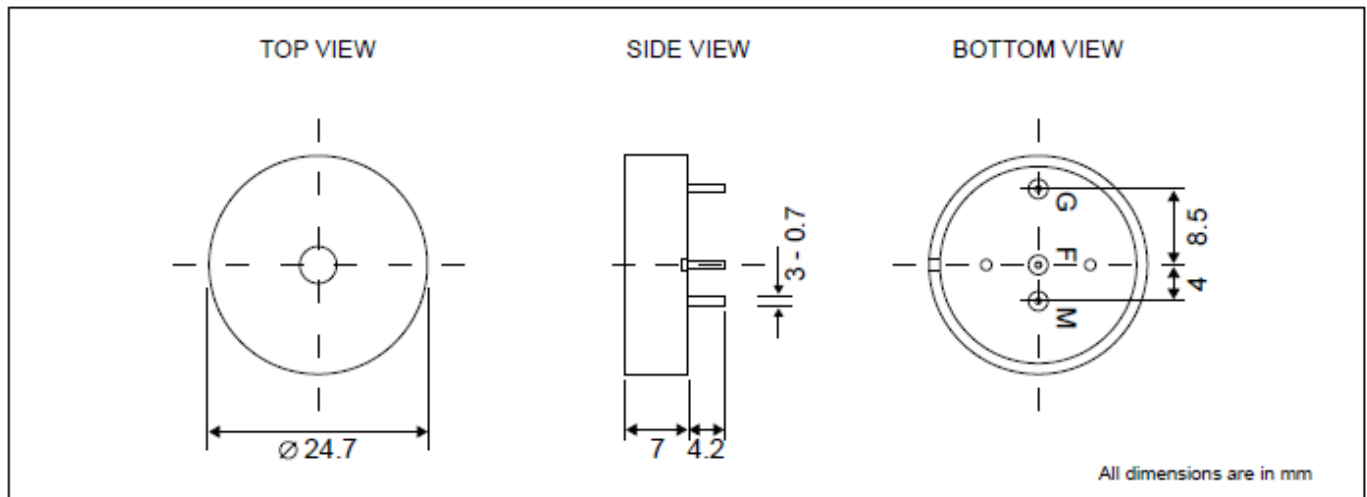


# Self Drive Piezo Transducer

## SPTS04 series

### DIMENSIONS

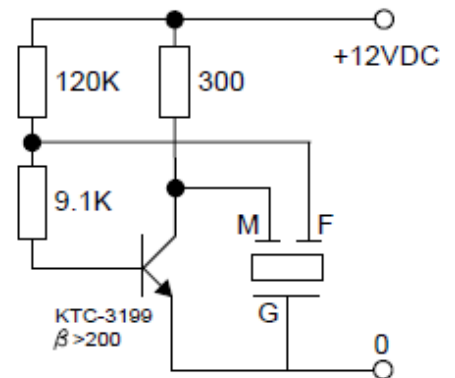


Ref. no. : QS086-R

Remark : RoHS compliance

### ELECTRICAL SPECIFICATIONS

Model No.		PTS04-250735APR
Operating Voltage	[VDC]	3 ~ 24
Rated Voltage	[VDC]	12
Max. Rated Current	[mA]	18
Min. Sound Output	[dBA / 10cm]	88
Frequency	[Hz]	3500 +/- 500
Operating Temperature	[°C]	-20 ~ +85
Terminal		Pin
Housing Material		ABS
Colour		Black
Weight	[gm]	4



Recommended Circuit