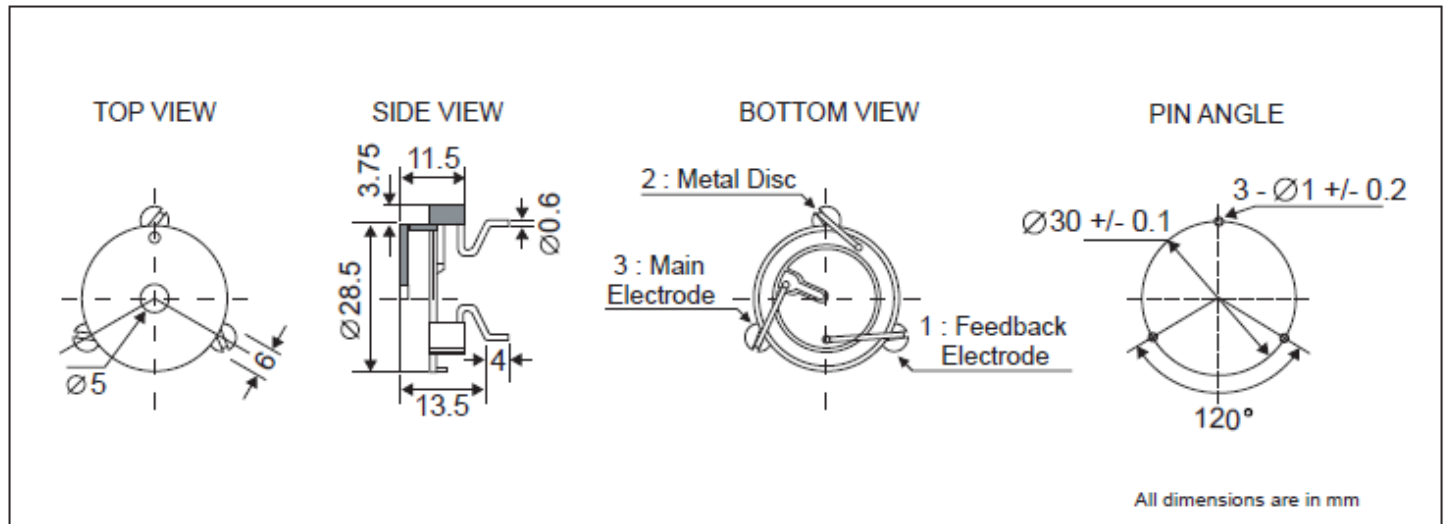


# Self Drive Piezo Transducer

## SPTS05 series

### DIMENSIONS

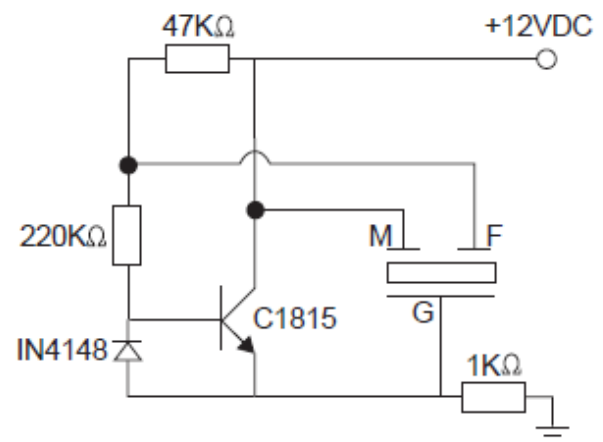


Ref. no. : QS064-R

Remark : RoHS regulation

### ELECTRICAL SPECIFICATIONS

Model No.	PTS05-281330APR
Operating Voltage □ [VDC]	3 ~ 28
Rated Voltage □ □ [VDC]	12
Max. Rated Current □ [mA]	8
Min. Sound Output □ [dBA / 30cm]	83
Frequency □ □ [Hz]	3000 +/- 500
Operating Temperature □ [°C]	-30 ~ +85
Terminal	Pin
Housing Material	ABS
Colour	Black
Weight □ □ □ [gm]	3.8



Recommended Circuit