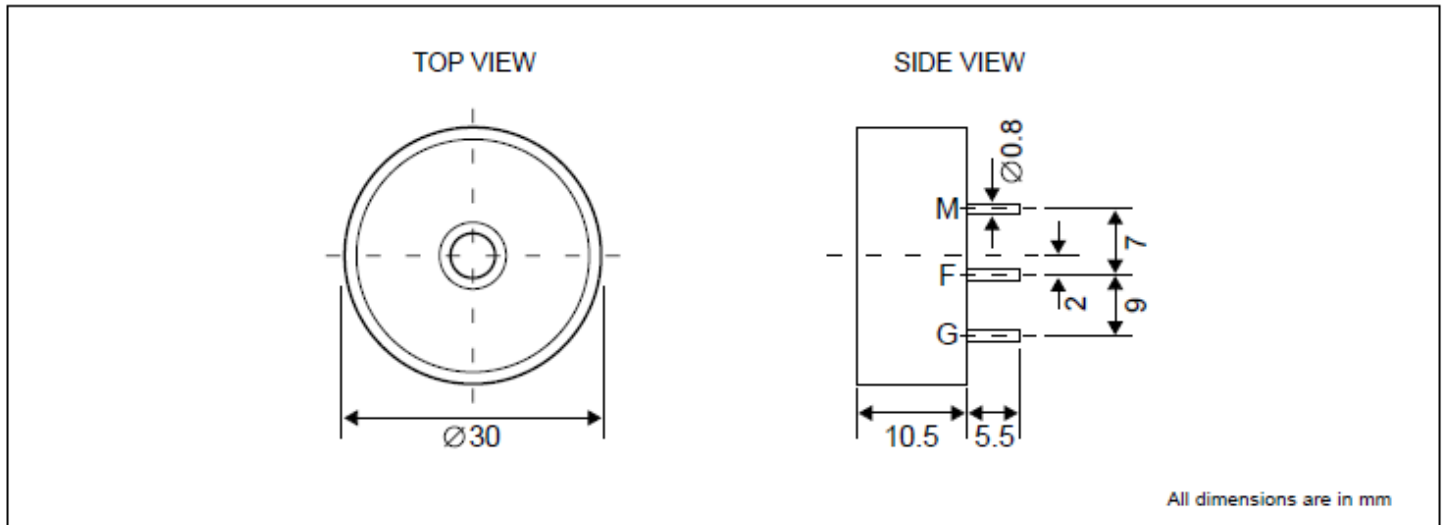


Self Drive Piezo Transducer

SPTS06 series

DIMENSIONS



Ref. no.: PC059U

Special Description : PTS06-301136NP fulfil RoHS regulation, (Lead Free version)

ELECTRICAL SPECIFICATIONS

Model No.	PTS06-301136NPR	
Operating Voltage □	[VDC]	3 ~ 20
Rated Voltage □ □	[VDC]	12
Max. Rated Current □	[mA]	10
Min. Sound Output □	[dBA / 10cm]	88
Frequency □ □	[Hz]	3600 +/- 500
Operating Temperature □	[°C]	-20 ~ +70
Terminal	Pin	
Housing Material	Noryl	
Colour	Black	
Weight □ □ □	[gm]	5

