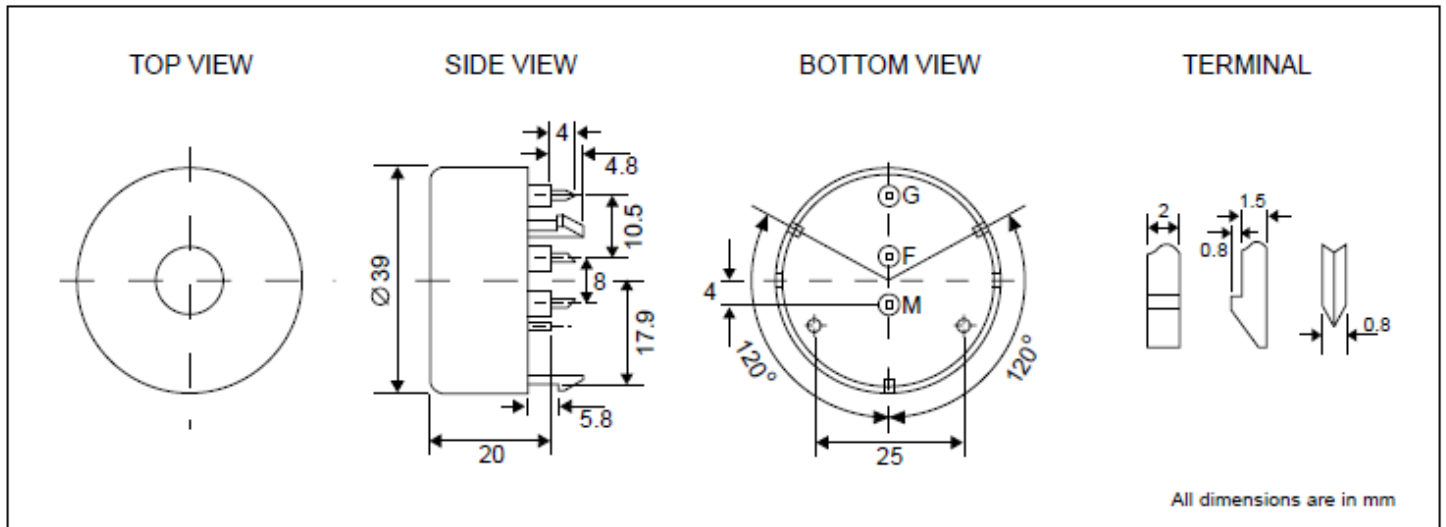


# Self Drive Piezo Transducer

## SPTS07 series

### DIMENSIONS

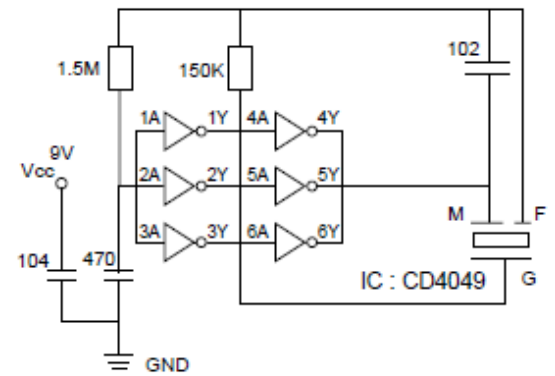


Ref. no.: PC025U

Special Description : PTS07-391634NP to fulfil RoHS regulation, (Pb Free version)

### ELECTRICAL SPECIFICATIONS

Model No.	PTS07-391634NPR	
Operating Voltage □	[VDC]	6 ~ 12
Rated Voltage □ □	[VDC]	9
Max. Rated Current □	[mA]	20
Min. Sound Output □	[dBA / 30cm]	95
Frequency □ □	[Hz]	3400 +/- 500
Operating Temperature □	[°C]	-20 ~ +120
Terminal		Pin
Housing Material		Noryl
Colour		Black
Weight □ □ □	[gm]	12



Recommended Circuit