

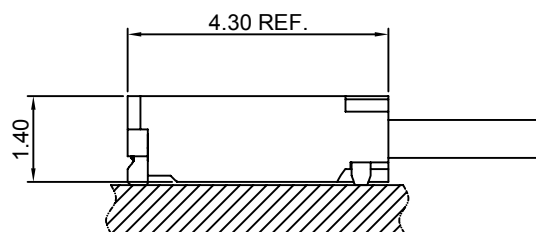
Specifications

Current rating:2A AC,DC
Voltage rating:50V AC,DC
Temperature range:-40°C~+105°C
Contact resistance:10mΩMax.
Insulation resistance:100MΩMin.
Withstanding voltage:500V AC/minute
Compliant with RoHS and REACH
Meet the HF/Halogen Free,need to customize
Contact CJT for details

Standards



Assembly layout

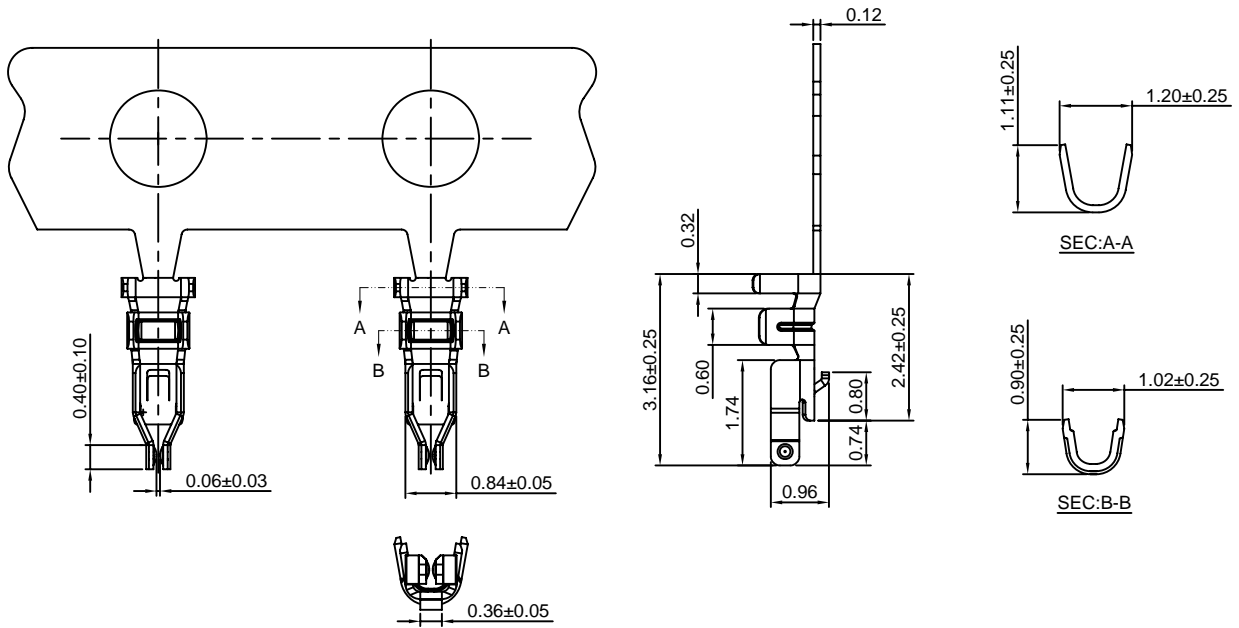


A1201-T

1.20mm pitch Crimp Terminal

Reference Informations:

*Used in CJT A1201 series Housing



Ordering information & Specifications:

Unit:mm

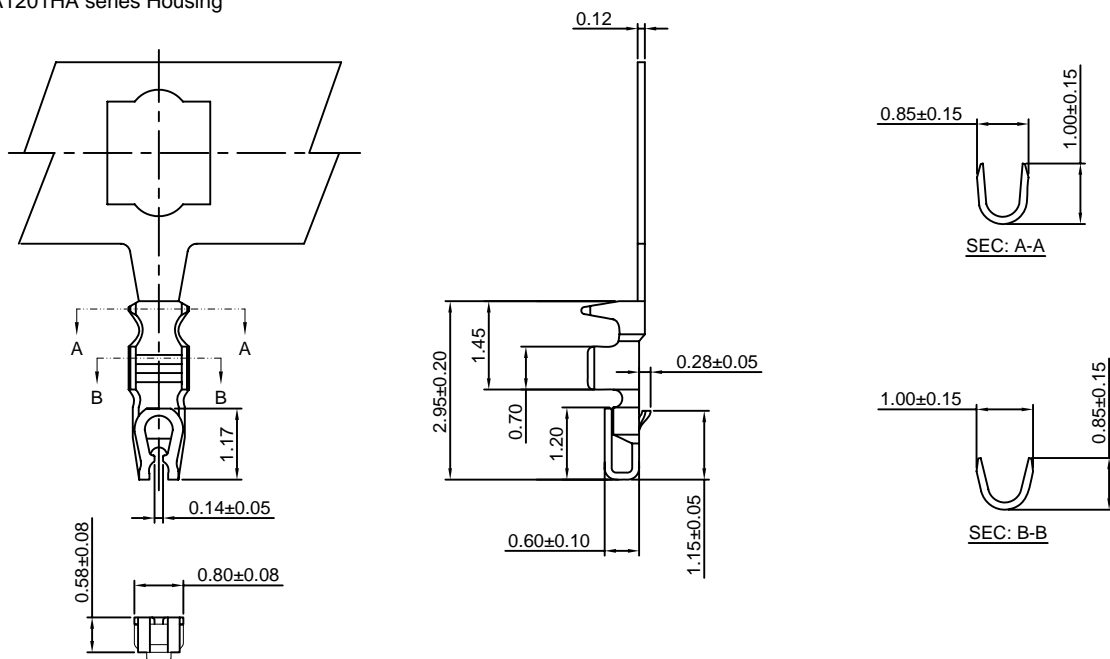
Part NO.	Wire Range	Insulation O.D.	Material	Finish	Qty/reel
A1201-GP	AWG#28-#30	0.63mm(max)	Phosphor Bronze	Gold over Nickel	30,000 PCS

A1201-T-A

1.20mm pitch Crimp Terminal

Reference Informations:

*Used in CJT A1201HA series Housing



Ordering information & Specifications:

Unit:mm

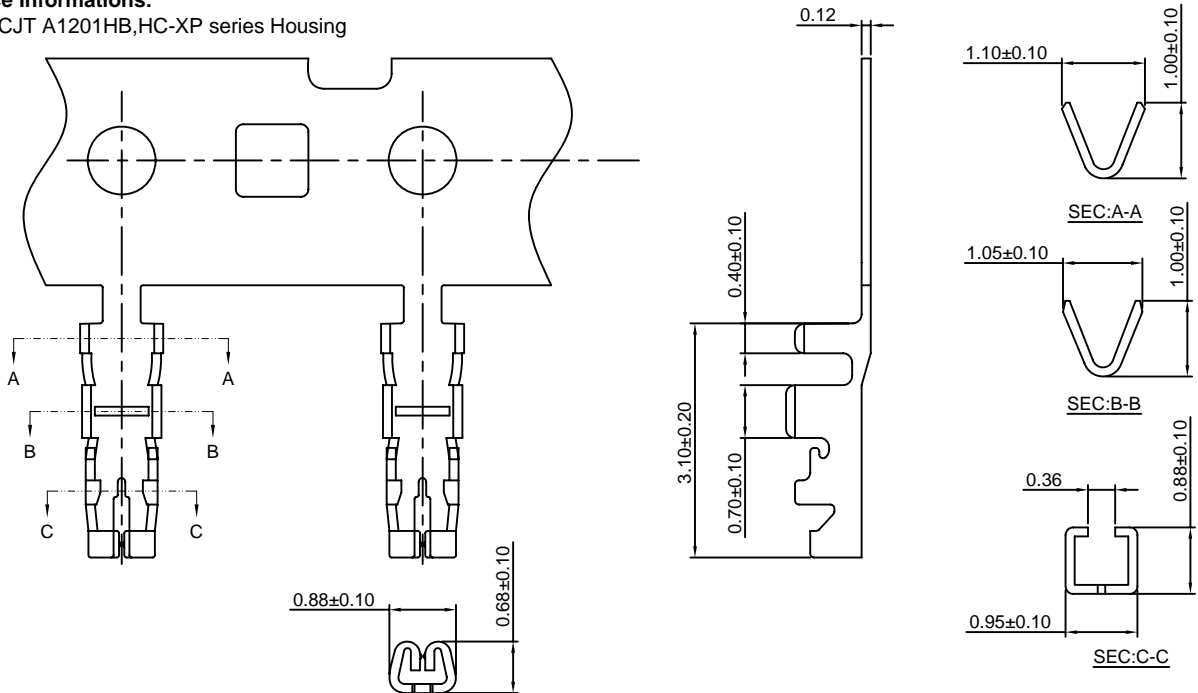
Part NO.	Wire Range	Insulation O.D.	Material	Finish	Qty/reel
A1201-GP-A	AWG#28-#32	0.63mm(max)	Phosphor Bronze	Gold over Nickel	15,000 PCS

A1201-T-B

1.20mm pitch Crimp Terminal

Reference Informations:

*Used in CJT A1201HB,HC-XP series Housing



Ordering information & Specifications:

Unit:mm

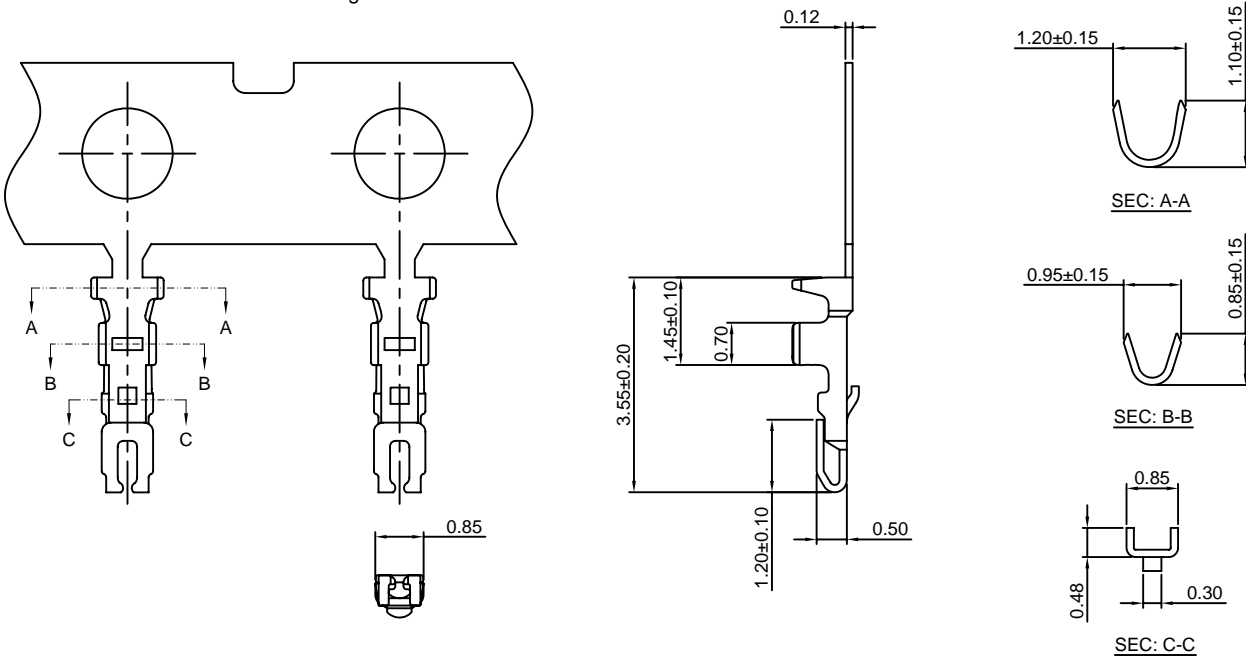
Part NO.	Wire Range	Insulation O.D.	Material	Finish	Qty/reel
A1201-TP-B	AWG#28-#32	0.63mm(max)	Phosphor Bronze	Tin over Nickel	30,000 PCS
A1201-GP-B	AWG#28-#32	0.63mm(max)	Phosphor Bronze	Gold over Nickel	30,000 PCS

A1201-T-D

1.20mm pitch Crimp Terminal

Reference Informations:

*Used in CJT A1201HD-XP series Housing



Ordering information & Specifications:

Unit:mm

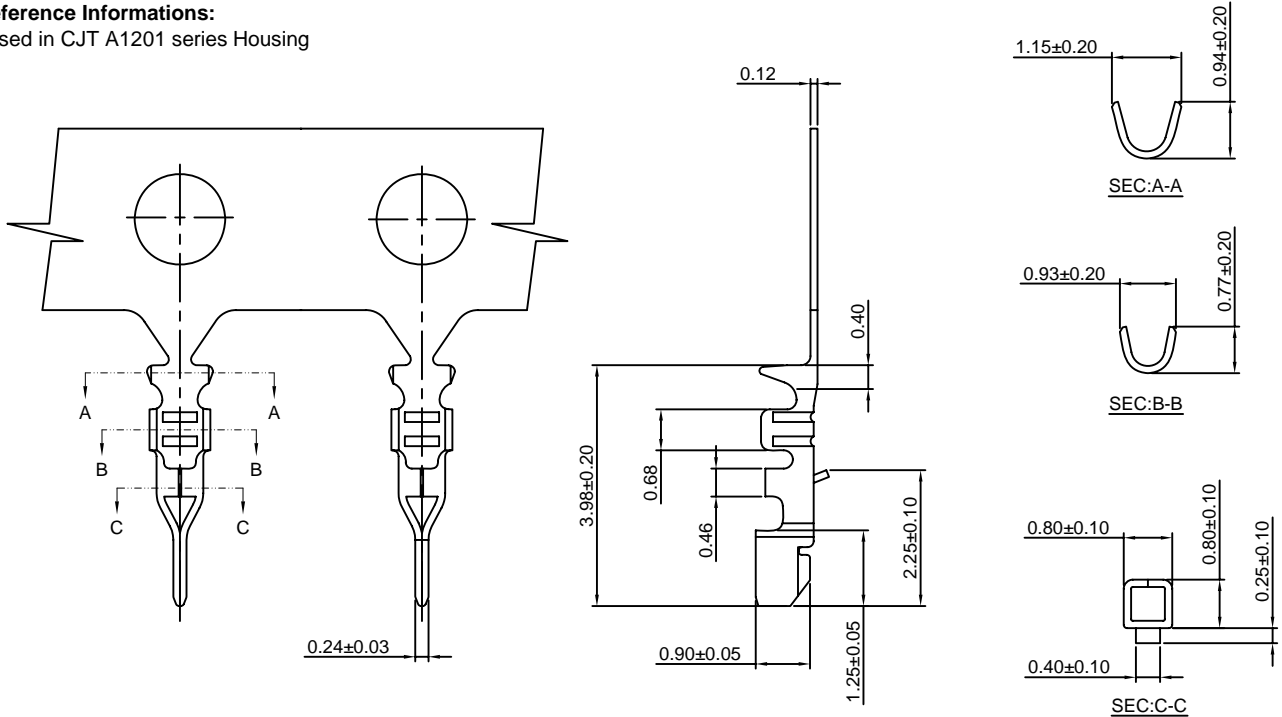
Part NO.	Wire Range	Insulation O.D.	Material	Finish	Qty/reel
A1201-GP-D	AWG#28-#30	0.63mm(max)	Phosphor Bronze	Gold over Nickel	40,000 PCS

A1201M-GP

1.20mm pitch Crimp Terminal

Reference Informations:

*Used in CJT A1201 series Housing



Ordering information & Specifications:

Unit:mm

Part NO.	Wire Range	Insulation O.D.	Material	Finish	Qty/reel
A1201M-GP	AWG#28-#32	0.50mm(max)	Phosphor Bronze	Gold over Nickel	15,000 PCS

A1201H-XP

1.20mm pitch Housing

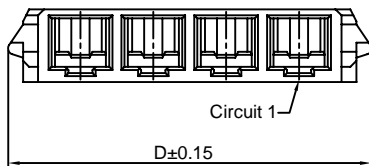
Reference Informations:

*Material:Nylon 66,UL94V-0

*Suitable CJT A1201-T series Terminal

*Mates with CJT A1201WR-S-XP series Wafer

*Color:Black



Ordering Information:

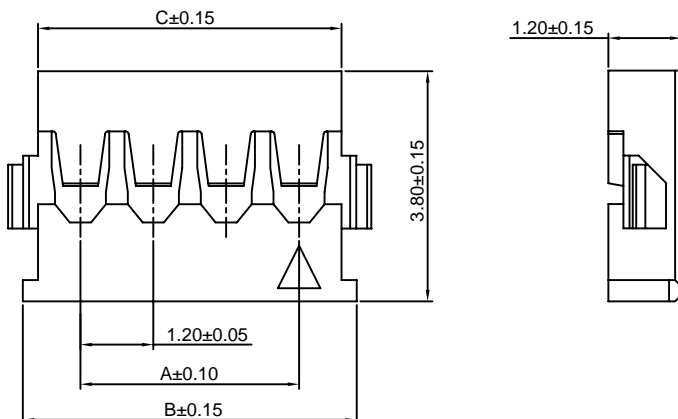
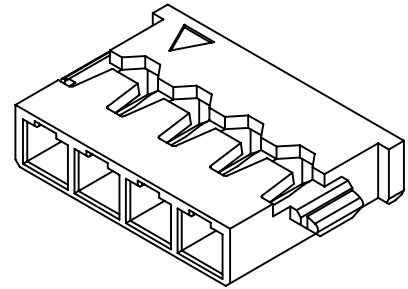
A1201H-XP - ***
1 / 2

1.Part No.

2.Material:

(Blank):Nylon 66,UL94V-0

GWT:Nylon 66,UL94V-0,GWT 750°C



Ordering Information & Dimensions:

PART NO.	Dimensions			
	A	B	C	D
2P	1.20	3.10	2.60	3.60
3P	2.40	4.30	3.80	4.80
4P	3.60	5.50	5.00	6.00
5P	4.80	6.70	6.20	7.20
6P	6.00	7.90	7.40	8.40
7P	7.20	9.10	8.60	9.60
8P	8.40	10.30	9.80	10.80
9P	9.60	11.50	11.00	12.00
10P	10.80	12.70	12.20	13.20
11P	12.00	13.90	13.40	14.40
12P	13.20	15.10	14.60	15.60
13P	14.40	16.30	15.80	16.80
14P	15.60	17.50	17.00	18.00
15P	16.80	18.70	18.20	19.20

Unit: mm

A1201HA-XP

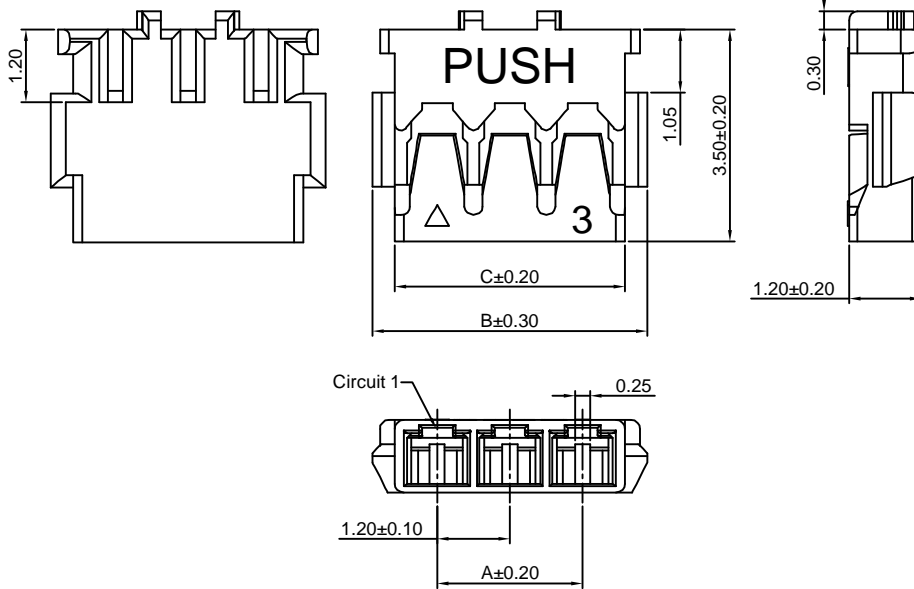
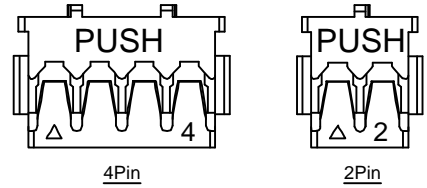
1.20mm pitch Housing

Reference Informations:

- *Material: Nylon 66, UL94V-0
- *Suitable CJT A1201-T-A series Terminal
- *Mates with CJT A1201WRA-S-XP series Wafer
- *Color: White

Ordering Information:

- A1201HA-XP - ¹ - ² - ³ - ^{***}
1. Part No.
 2. Color:
(blank): White
BK: Black
 3. Material:
(Blank): Nylon 66, UL94V-0
GWT: Nylon 66, UL94V-0, GWT 750 °C



Ordering Information & Dimensions:

PART NO.	Dimensions		
	A	B	C
2P	1.20	3.35	2.60
3P	2.40	4.55	3.80
4P	3.60	5.75	5.00
5P	4.80	6.95	6.20
6P	6.00	8.15	7.40
7P	7.20	9.35	8.60
8P	8.40	10.55	9.80
9P	9.60	11.75	11.00
10P	10.80	12.95	12.20

Unit: mm

A1201HB-XP

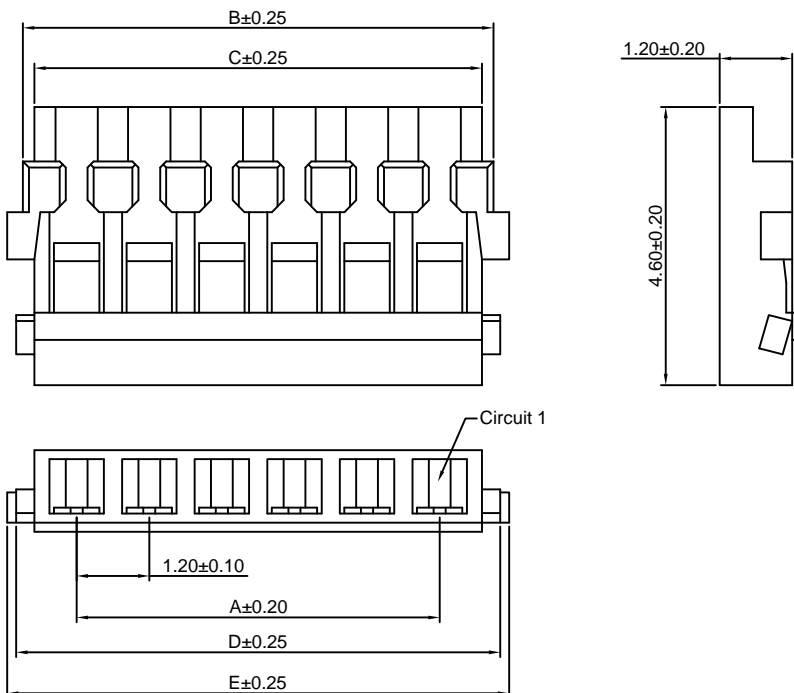
1.20mm pitch Housing

Reference Informations:

- *Material: PBT, UL94V-0
- *Suitable CJT A1201-T-B series Terminal
- *Color: Natural

Ordering Information:

- A1201HB-XP - ¹ - ² - ^{***}
1. Part No.
 2. Material:
(Blank): PBT, UL94V-0
GWT: PBT, UL94V-0, GWT 750 °C



Ordering Information & Dimensions:

PART NO.	Dimensions				
	A	B	C	D	E
2P	1.20	2.98	2.60	3.20	3.50
3P	2.40	4.18	3.80	4.40	4.70
4P	3.60	5.38	5.00	5.60	5.90
5P	4.80	6.58	6.20	6.80	7.10
6P	6.00	7.78	7.40	8.00	8.30

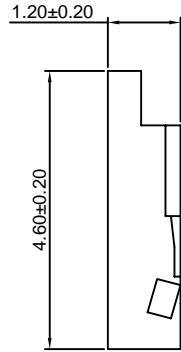
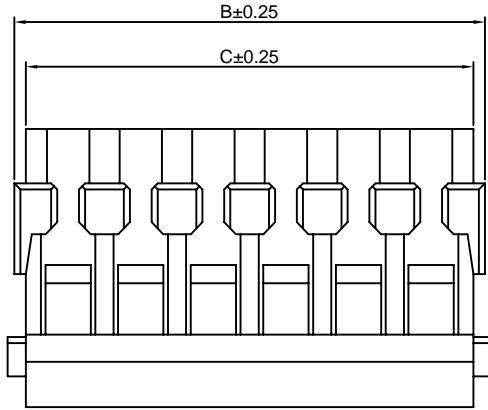
Unit: mm

A1201HC-XP

1.20mm pitch Housing

Reference Informations:

- *Material:PBT,UL94V-0
- *Suitable CJT A1201-T-B series Terminal
- *Color:Natural



Ordering Information:

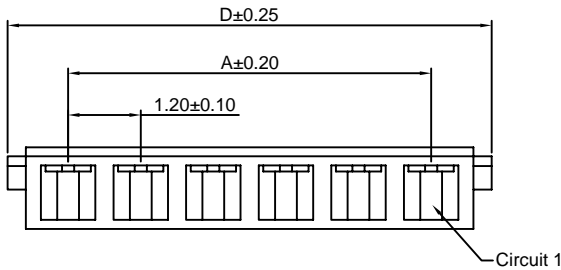
A1201HC-XP - ***
1 2

1.Part No.

2.Material:

(Blank):PBT,UL94V-0

GWT:PBT,UL94V-0,GWT 750 °C



Ordering Information & Dimensions:

PART NO.	Dimensions			
	A	B	C	D
2P	1.20	2.98	2.60	3.20
3P	2.40	4.18	3.80	4.40
4P	3.60	5.38	5.00	5.60
5P	4.80	6.58	6.20	6.80
6P	6.00	7.78	7.40	8.00

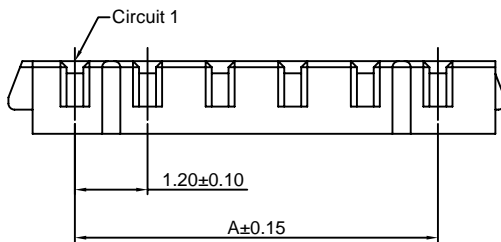
Unit: mm

A1201HD-XP

1.20mm pitch Housing

Reference Informations:

- *Material:PBT,UL94V-0
- *Suitable CJT A1201-T-D series Terminal
- *Mates with CJT A1201WRD-S-XP series Wafer
- *Color:Gray



Ordering Information:

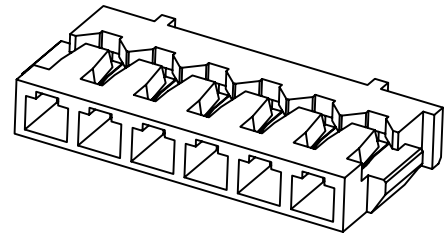
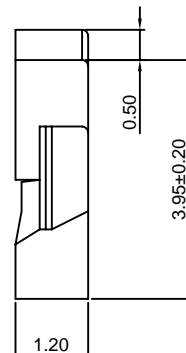
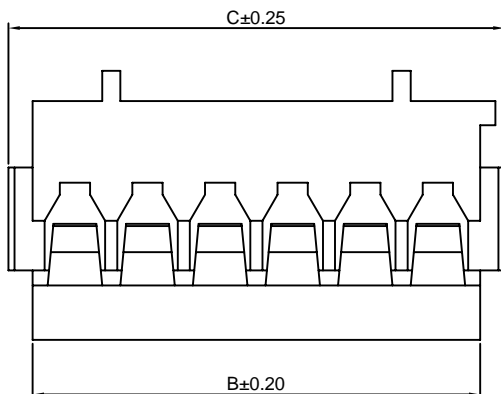
A1201HD-XP - ***
1 2

1.Part No.

2.Material:

(Blank):PBT,UL94V-0

GWT:PBT,UL94V-0,GWT 750 °C



Ordering Information & Dimensions:

PART NO.	Dimensions		
	A	B	C
2P	1.20	2.60	3.40
3P	2.40	3.80	4.60
4P	3.60	5.00	5.80
5P	4.80	6.20	7.00
6P	6.00	7.40	8.20

Unit: mm

A1201WR-S-XP

1.20mm pitch 90° Wafer - SMT TYPE

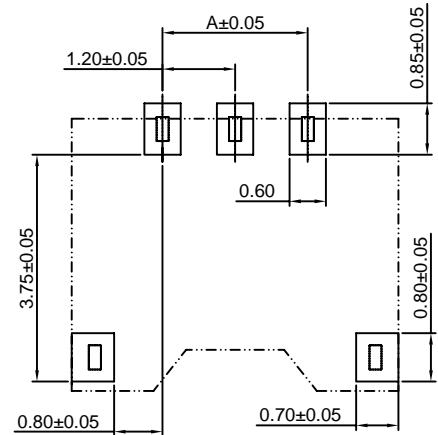
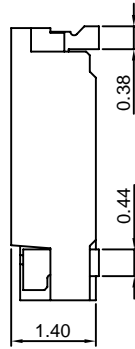
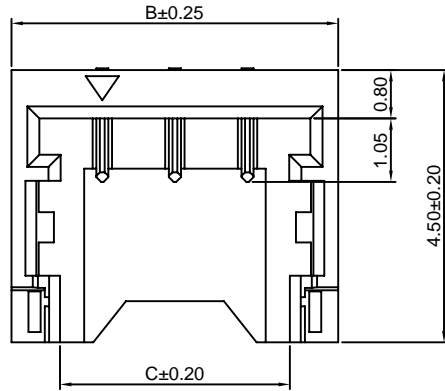
Reference Informations:

- *Material: Pin: Phosphor Bronze/Gold over Nickel
Insulator: Nylon 6T, UL94V-0
Solder Tab: Phosphor Bronze/Tin over Nickel
- *Mates with CJT A1201H-XP series Housing
- *Color: Black

Ordering Information:

A1201WR-S-XP - ** - ***
1 2 3

1. Part No.
2. Color:
(blank): Black
IV: Ivory
3. Material:
(Blank): Nylon 6T, UL94V-0
GWT: Nylon 6T, UL94V-0, GWT 750 °C

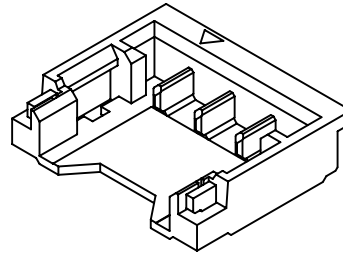
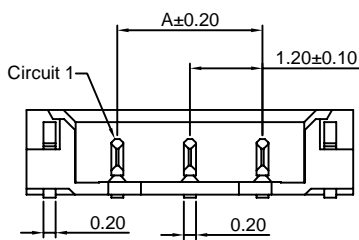


P.C.B LAYOUT

Ordering Information & Dimensions:

PART NO.	Dimensions		
	A	B	C
2P	1.20	4.20	2.60
3P	2.40	5.40	3.80
4P	3.60	6.60	5.00
5P	4.80	7.80	6.20
6P	6.00	9.00	7.40
7P	7.20	10.20	8.60
8P	8.40	11.40	9.80
9P	9.60	12.60	11.00
10P	10.80	13.80	12.20

Unit: mm

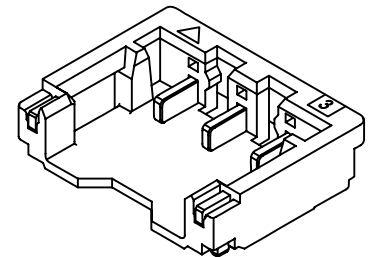
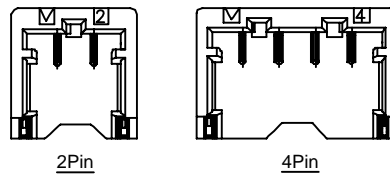


A1201WRA-S-XP

1.20mm pitch 90° Wafer - SMT TYPE

Reference Informations:

- *Material: Pin: Phosphor Bronze/Gold over Nickel
Insulator: Nylon 6T, UL94V-0
Solder Tab: Phosphor Bronze/Tin over Nickel
- *Mates with CJT A1201HA-XP series Housing
- *Color: Ivory



Ordering Information:

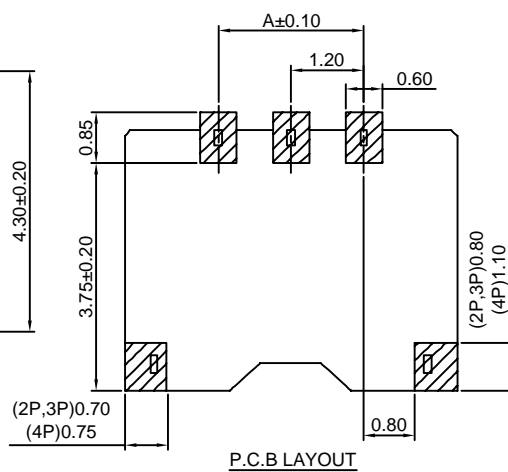
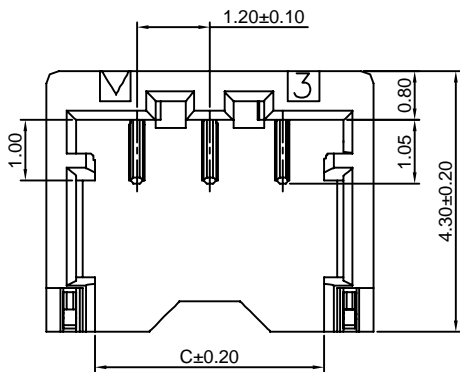
A1201WRA-S-XP - *** - **
1 2 3

1. Part No.
2. Material:
(Blank): Nylon 6T, UL94V-0
GWT: Nylon 6T, UL94V-0, GWT 750 °C
3. Color:
(blank): Ivory
BK: Black

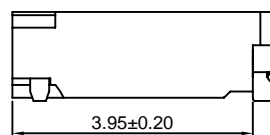
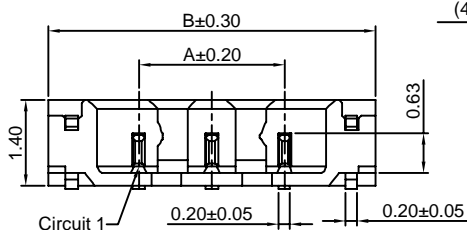
Ordering Information & Dimensions:

PART NO.	Dimensions		
	A	B	C
2P	1.20	4.20	2.60
3P	2.40	5.40	3.80
4P	3.60	6.60	5.00
5P	4.80	7.80	6.20
6P	6.00	9.00	7.40
7P	7.20	10.20	8.60
8P	8.40	11.40	9.80
9P	9.60	12.60	11.00
10P	10.80	13.80	12.20

Unit: mm



P.C.B LAYOUT



A1201WRD-S-XP

1.20mm pitch 90° Wafer - SMT TYPE

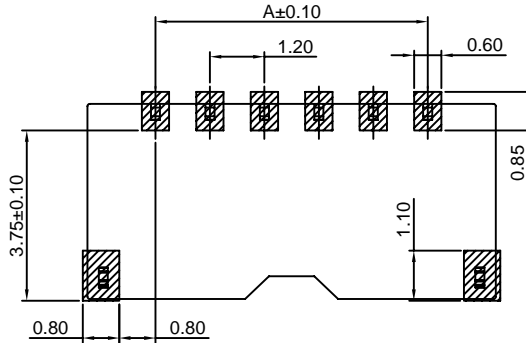
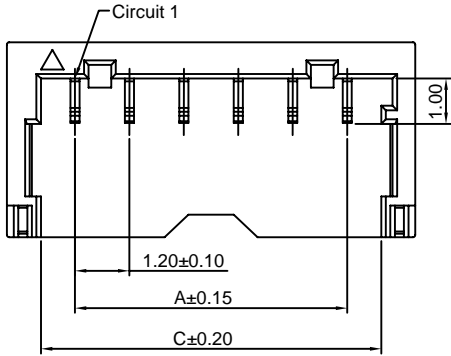
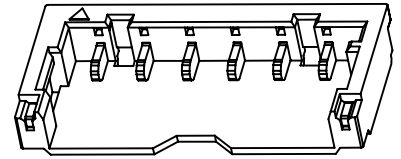
Reference Informations:

- *Material: Pin: Phosphor Bronze/Tin over Nickel
Insulator: Nylon9T, UL94V-0
Solder Tab: Phosphor Bronze/Tin over Nickel
- *Mates with CJT A1201HD-XP series Housing
- *Color: Natural

Ordering Information:

A1201WRD-S-XP - *** - **
1 2 3

- 1. Part No.
- 2. Material:
(Blank): Nylon 9T, UL94V-0
GWT: Nylon 9T, UL94V-0, GWT 750 °C
- 3. Finish:
(Blank): Tin over Nickel
G: Gold over Nickel

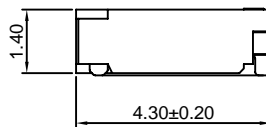
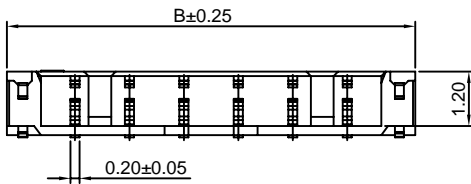


RECOMMENDED PCB LAYOUT
GENERAL TOLERANCE ±0.05

Ordering Information & Dimensions:

PART NO.	Dimensions		
	A	B	C
2P	1.20	4.20	2.70
3P	2.40	5.40	3.90
4P	3.60	6.60	5.10
5P	4.80	7.80	6.30
6P	6.00	9.00	7.50
7P	7.20	10.20	8.70
8P	8.40	11.40	9.90

Unit: mm



X-ON Electronics

Largest Supplier of Electrical and Electronic Components

Click to view similar products for [Headers & Wire Housings](#) category:

Click to view products by [Changjiang](#) manufacturer:

Other Similar products are found below :

[57102-F02-18ULF](#) [58102-G61-06LF](#) [0009485154](#) [009176003701906](#) [0050291907](#) [00-9021-0611-00-339](#) [02.125.8002.8](#) [609-3404](#) [61062-3](#)
[622-0430](#) [622-3653LF](#) [63453-116](#) [636-1030](#) [636-1427](#) [636-3427](#) [636-4007](#) [641938-9](#) [644827-2](#) [65495-038](#) [65692-001LF](#) [65781-018](#)
[65781-047](#) [65817-010LF](#) [65817-015LF](#) [66207-023LF](#) [67016-026LF](#) [67095-007LF](#) [68631-112](#) [68645-018](#) [68648-049](#) [699319-000](#)
[70.362.1628.0](#) [70-4210](#) [70-4226B](#) [70-4853B](#) [707-5020](#) [707-5028](#) [71.350.2428.0](#) [71961-016LF](#) [733-134](#) [754199-000](#) [760-3052](#) [787-8014-00](#)
[FCN-367T-T012/H](#) [80.063.4001.1](#) [800-90-001-10-001000](#) [800-90-010-10-002000](#) [801-43-002-10-013000](#) [801-43-006-10-002000](#)
[803-41-018-10-001000](#)