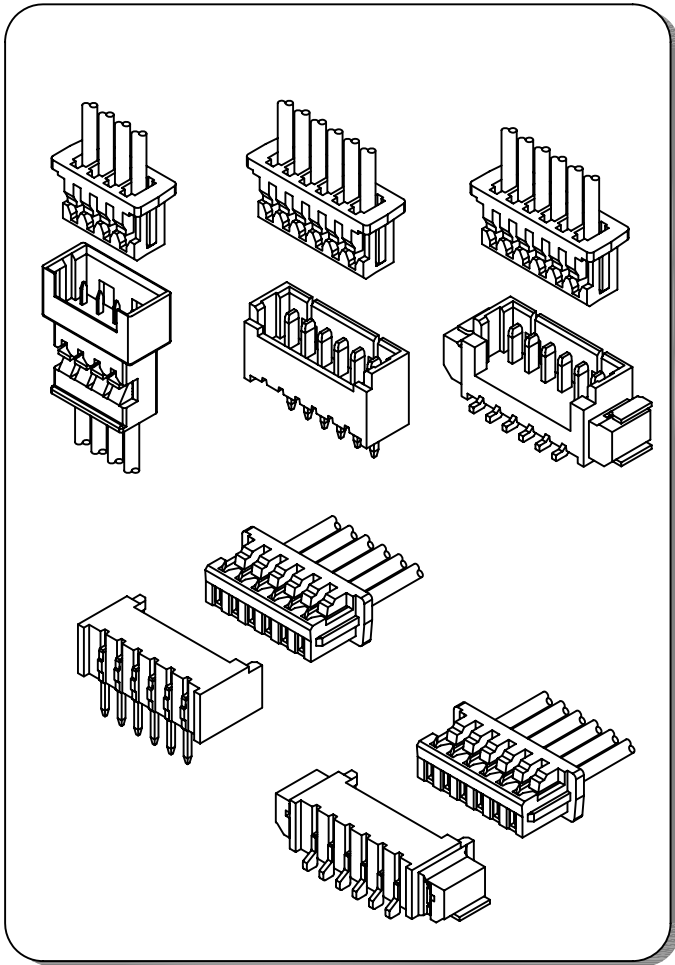


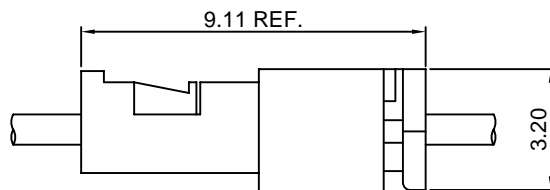
Specifications

- Current rating: 1A AC, DC
- Voltage rating: 125V AC, DC
- Temperature range: -40°C ~ +105°C
- Contact resistance: 20mΩ Max.
- Insulation resistance: 100MΩ Min.
- Withstanding voltage: 500V AC/minute
- *Compliant with RoHS and REACH*
- *Meet the HF/Halogen Free, need to customize*
- *Contact CJT for details*

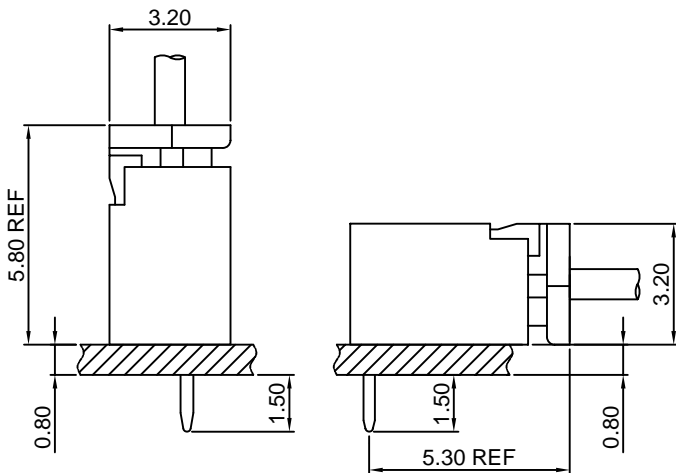
Standards



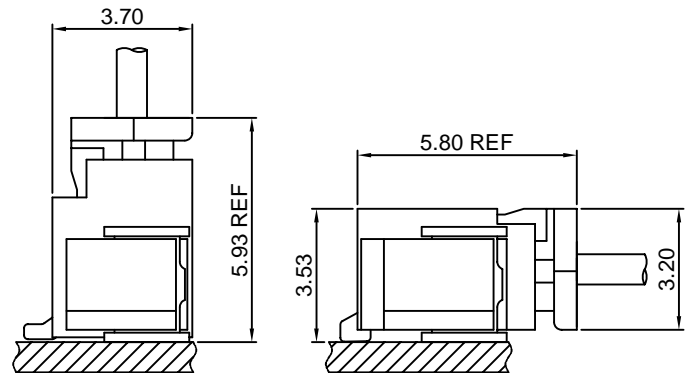
Assembly layout



WIRE TO WIRE



DIP YYPE



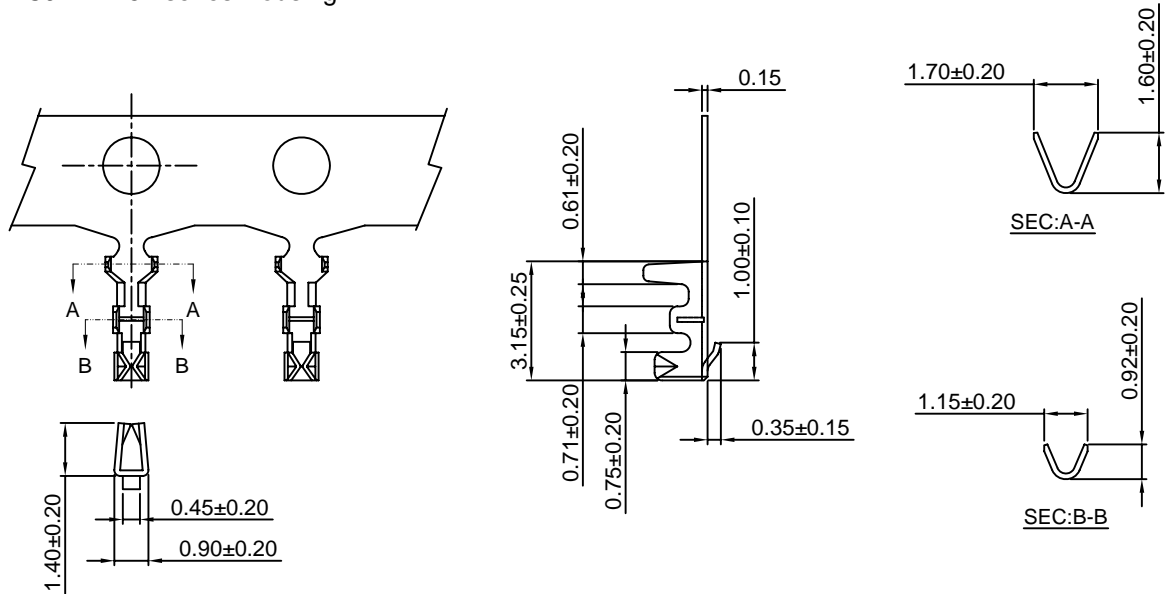
SMT YYPE

A1251-T

1.25mm pitch Crimp Terminal

Reference Informations:

*Used in CJT A1251 series Housing



Ordering information & Specifications:

Unit:mm

| Part NO. | Wire Range | Insulation O.D. | Material | Finish | Qty/reel |
|----------|------------|-----------------|-----------------|------------------|------------|
| A1251-TP | AWG#28-#32 | 1.00mm(max) | Phosphor Bronze | Tin over Nickel | 15,000 PCS |
| A1251-GP | AWG#28-#32 | 1.00mm(max) | Phosphor Bronze | Gold over Nickel | 15,000 PCS |

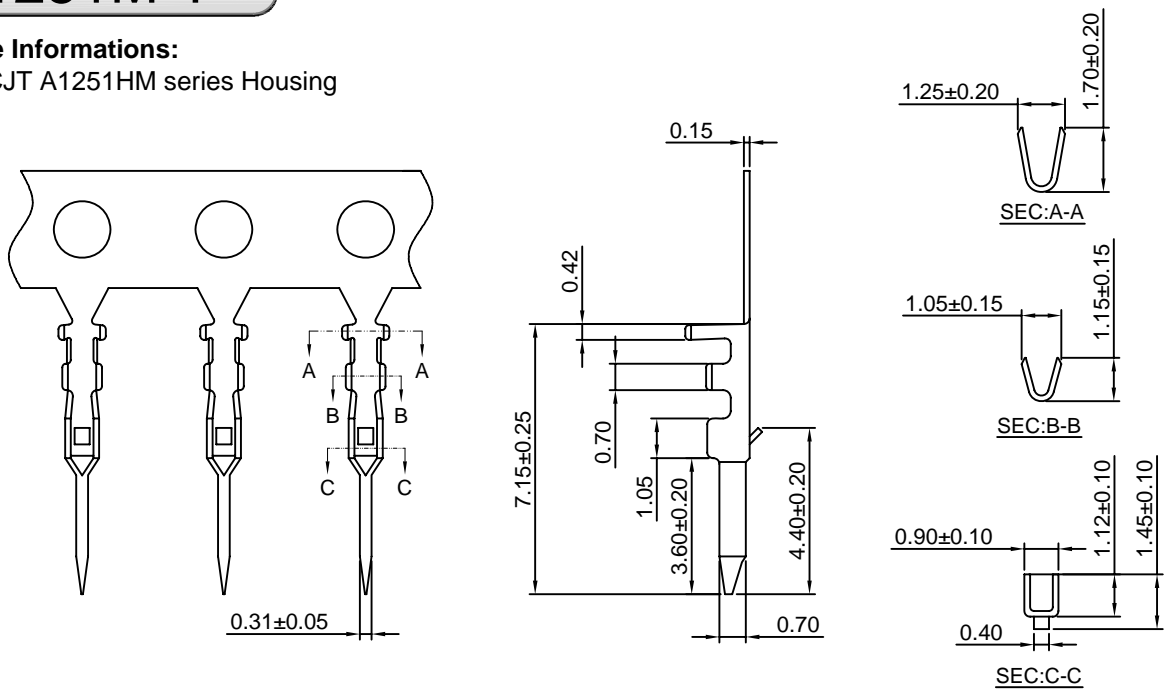
Optional Gold plating available but MOQ requested

A1251M-T

1.25mm pitch Crimp Terminal

Reference Informations:

*Used in CJT A1251HM series Housing



Ordering information & Specifications:

Unit:mm

| Part NO. | Wire Range | Insulation O.D. | Material | Finish | Qty/reel |
|-----------|------------|-----------------|-----------------|------------------|------------|
| A1251M-TP | AWG#28-#32 | 1.00mm(max) | Phosphor Bronze | Tin over Nickel | 15,000 PCS |
| A1251M-GP | AWG#28-#32 | 1.00mm(max) | Phosphor Bronze | Gold over Nickel | 15,000 PCS |

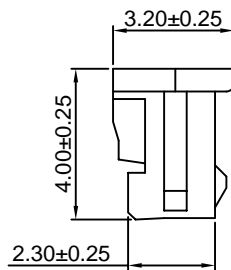
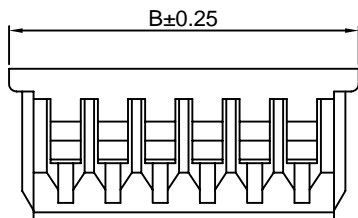
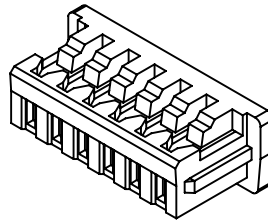
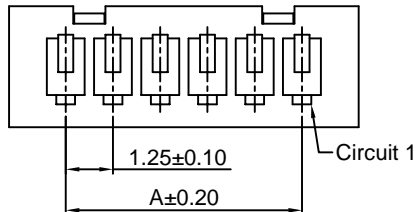
Optional Gold plating available but MOQ requested

A1251H

1.25mm pitch Housing

Reference Informations:

- *Material:Nylon 66,UL94V-0
- *Suitable CJT A1251 series Terminal
- *Mates with CJT A1251 series Wafer
- *Color:White



Ordering Information & Dimensions:

| PART NO. | Dimensions | |
|------------|------------|-------|
| | A | B |
| A1251H-2P | 1.25 | 4.25 |
| A1251H-3P | 2.50 | 5.50 |
| A1251H-4P | 3.75 | 6.75 |
| A1251H-5P | 5.00 | 8.00 |
| A1251H-6P | 6.25 | 9.25 |
| A1251H-7P | 7.50 | 10.50 |
| A1251H-8P | 8.75 | 11.75 |
| A1251H-9P | 10.00 | 13.00 |
| A1251H-10P | 11.25 | 14.25 |
| A1251H-11P | 12.50 | 15.50 |
| A1251H-12P | 13.75 | 16.75 |
| A1251H-13P | 15.00 | 18.00 |
| A1251H-14P | 16.25 | 19.25 |
| A1251H-15P | 17.50 | 20.50 |
| A1251H-16P | 18.75 | 15.50 |
| A1251H-17P | 20.00 | 16.75 |
| A1251H-18P | 21.25 | 18.00 |
| A1251H-19P | 22.50 | 19.25 |
| A1251H-20P | 23.75 | 20.50 |

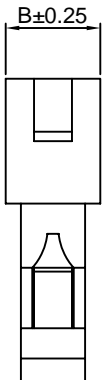
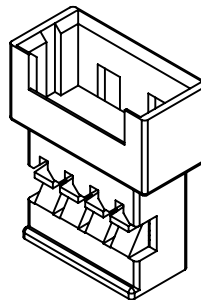
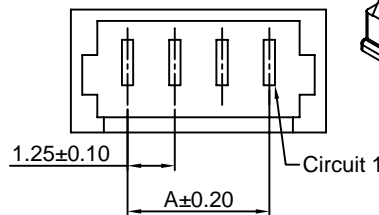
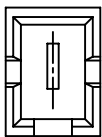
Unit: mm

A1251HM

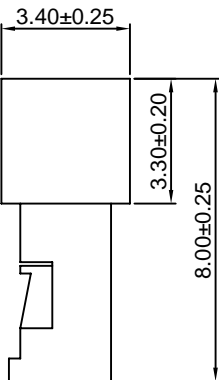
1.25mm pitch Housing

Reference Informations:

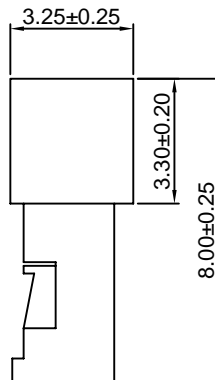
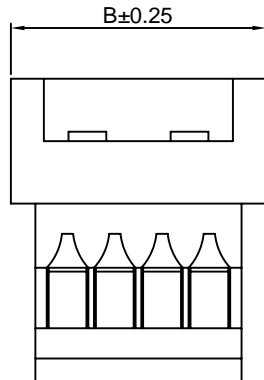
- *Material:Nylon 66,UL94V-0
- *Suitable CJT A1251M series Terminal
- *Mates with CJT A1251 series Housing
- *Color:White



1P



2P~20P



Ordering Information & Dimensions:

| PART NO. | Dimensions | |
|-------------|------------|-------|
| | A | B |
| A1251HM-1P | ---- | 2.50 |
| A1251HM-2P | 1.25 | 4.25 |
| A1251HM-3P | 2.50 | 5.50 |
| A1251HM-4P | 3.75 | 6.75 |
| A1251HM-5P | 5.00 | 8.00 |
| A1251HM-6P | 6.25 | 9.25 |
| A1251HM-7P | 7.50 | 10.50 |
| A1251HM-8P | 8.75 | 11.75 |
| A1251HM-9P | 10.00 | 13.00 |
| A1251HM-10P | 11.25 | 14.25 |
| A1251HM-11P | 12.50 | 15.50 |
| A1251HM-12P | 13.75 | 16.75 |
| A1251HM-13P | 15.00 | 18.00 |
| A1251HM-14P | 16.25 | 19.25 |
| A1251HM-15P | 17.50 | 20.50 |
| A1251HM-16P | 18.75 | 15.50 |
| A1251HM-17P | 20.00 | 16.75 |
| A1251HM-18P | 21.25 | 18.00 |
| A1251HM-19P | 22.50 | 19.25 |
| A1251HM-20P | 23.75 | 20.50 |

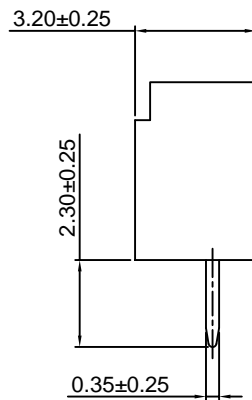
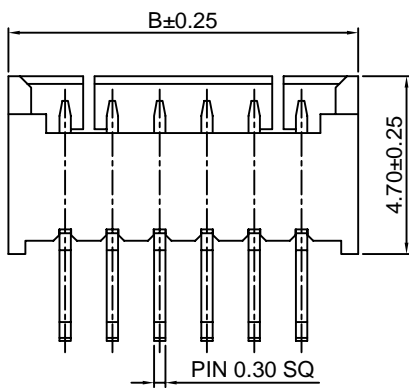
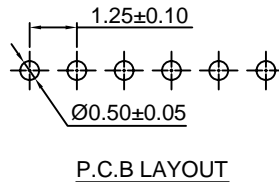
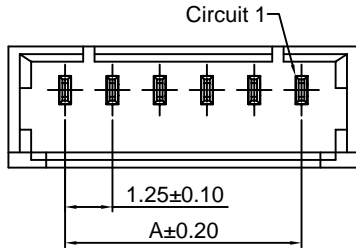
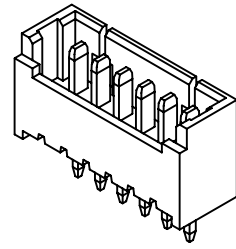
Unit: mm

A1251WV

1.25mm pitch 180° Wafer

Reference Informations:

- *Material: Pin: Phosphor Bronze/Tin over Nickel
Insulator: Nylon 66, UL94V-0
- *Mates with CJT A1251 series Housing
- *Color: Ivory



Ordering Information & Dimensions:

| PART NO. | Dimensions | |
|-------------|------------|-------|
| | A | B |
| A1251WV-2P | 1.25 | 4.30 |
| A1251WV-3P | 2.50 | 5.55 |
| A1251WV-4P | 3.75 | 6.80 |
| A1251WV-5P | 5.00 | 8.05 |
| A1251WV-6P | 6.25 | 9.30 |
| A1251WV-7P | 7.50 | 10.55 |
| A1251WV-8P | 8.75 | 11.80 |
| A1251WV-9P | 10.00 | 13.05 |
| A1251WV-10P | 11.25 | 14.30 |
| A1251WV-11P | 12.50 | 15.55 |
| A1251WV-12P | 13.75 | 16.80 |
| A1251WV-13P | 15.00 | 18.05 |
| A1251WV-14P | 16.25 | 19.30 |
| A1251WV-15P | 17.50 | 20.55 |
| A1251WV-16P | 18.75 | 21.80 |
| A1251WV-17P | 20.00 | 23.05 |
| A1251WV-18P | 21.25 | 24.30 |
| A1251WV-19P | 22.50 | 25.55 |
| A1251WV-20P | 23.75 | 26.80 |

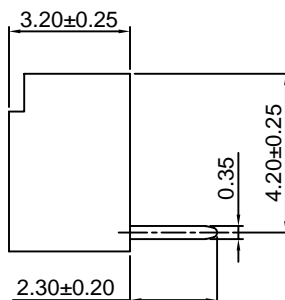
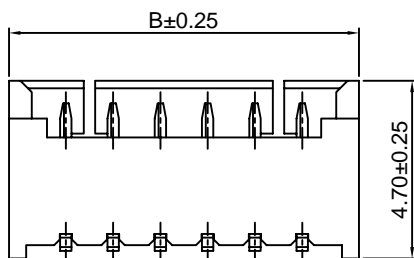
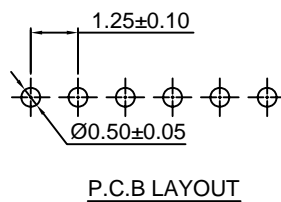
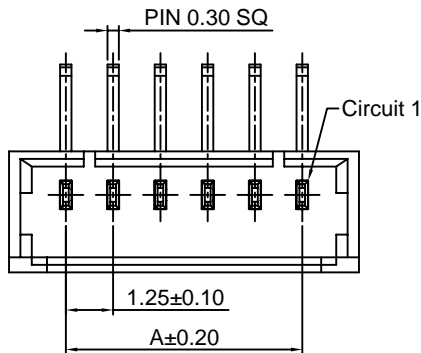
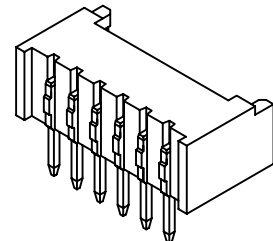
Unit: mm

A1251WR

1.25mm pitch 90° Wafer

Reference Informations:

- *Material: Pin: Phosphor Bronze/Tin over Nickel
Insulator: Nylon 66, UL94V-0
- *Mates with CJT A1251 series Housing
- *Color: Ivory



Ordering Information & Dimensions:

| PART NO. | Dimensions | |
|-------------|------------|-------|
| | A | B |
| A1251WR-2P | 1.25 | 4.30 |
| A1251WR-3P | 2.50 | 5.55 |
| A1251WR-4P | 3.75 | 6.80 |
| A1251WR-5P | 5.00 | 8.05 |
| A1251WR-6P | 6.25 | 9.30 |
| A1251WR-7P | 7.50 | 10.55 |
| A1251WR-8P | 8.75 | 11.80 |
| A1251WR-9P | 10.00 | 13.05 |
| A1251WR-10P | 11.25 | 14.30 |
| A1251WR-11P | 12.50 | 15.55 |
| A1251WR-12P | 13.75 | 16.80 |
| A1251WR-13P | 15.00 | 18.05 |
| A1251WR-14P | 16.25 | 19.30 |
| A1251WR-15P | 17.50 | 20.55 |
| A1251WR-16P | 18.75 | 21.80 |
| A1251WR-17P | 20.00 | 23.05 |
| A1251WR-18P | 21.25 | 24.30 |
| A1251WR-19P | 22.50 | 25.55 |
| A1251WR-20P | 23.75 | 26.80 |

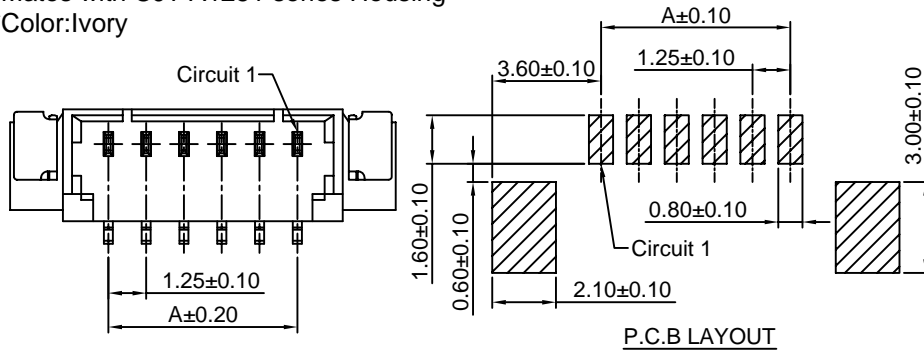
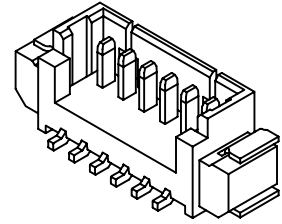
Unit: mm

A1251WV-S

1.25mm pitch 180° Wafer-SMT TYPE

Reference Informations:

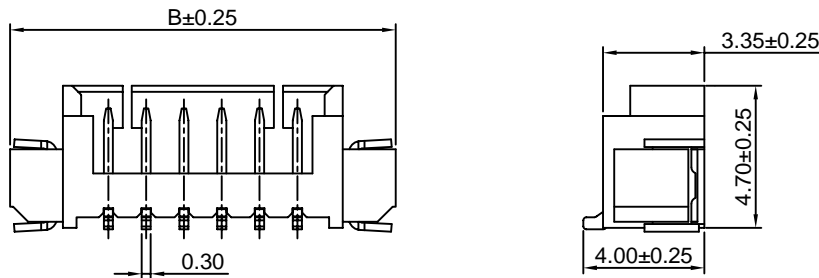
- *Material: Pin: Phosphor Bronze/Tin over Nickel
Solder Tabs: Phosphor Bronze/Tin over Nickel
Insulator: Nylon 6T, UL94V-0
- *Mates with CJT A1251 series Housing
- *Color: Ivory



Ordering Information & Dimensions:

| PART NO. | Dimensions | |
|---------------|------------|-------|
| | A | B |
| A1251WV-S-2P | 1.25 | 7.75 |
| A1251WV-S-3P | 2.50 | 9.00 |
| A1251WV-S-4P | 3.75 | 10.25 |
| A1251WV-S-5P | 5.00 | 11.50 |
| A1251WV-S-6P | 6.25 | 12.75 |
| A1251WV-S-7P | 7.50 | 14.00 |
| A1251WV-S-8P | 8.75 | 15.25 |
| A1251WV-S-9P | 10.00 | 16.50 |
| A1251WV-S-10P | 11.25 | 17.75 |
| A1251WV-S-11P | 12.50 | 19.00 |
| A1251WV-S-12P | 13.75 | 20.25 |
| A1251WV-S-13P | 15.00 | 21.50 |
| A1251WV-S-14P | 16.25 | 22.75 |
| A1251WV-S-15P | 17.50 | 24.00 |
| A1251WV-S-16P | 18.75 | 25.25 |
| A1251WV-S-17P | 20.00 | 26.50 |
| A1251WV-S-18P | 21.25 | 27.75 |
| A1251WV-S-19P | 22.50 | 29.00 |
| A1251WV-S-20P | 23.75 | 30.25 |

Unit: mm

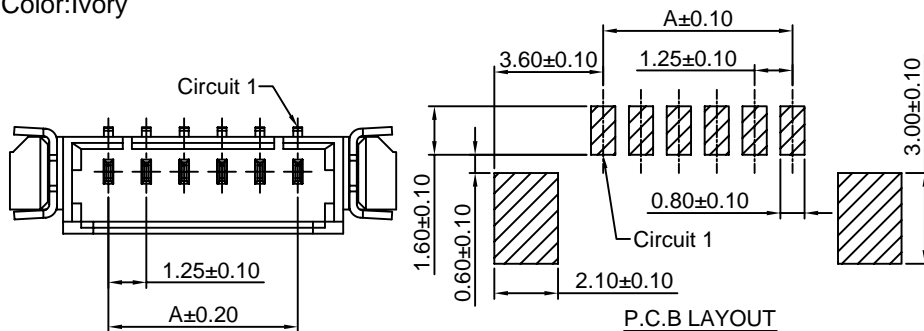
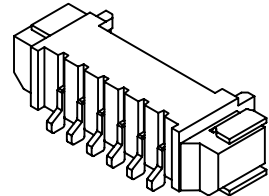


A1251WR-S

1.25mm pitch 90° Wafer-SMT TYPE

Reference Informations:

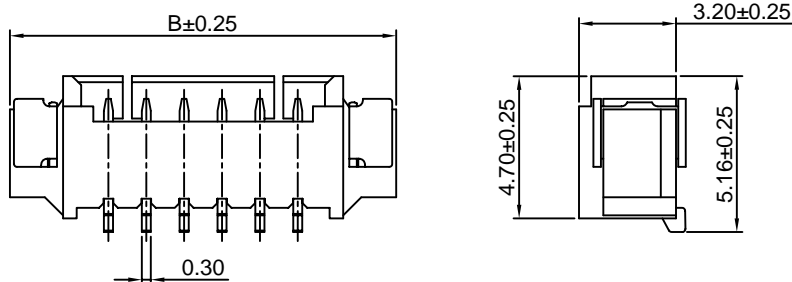
- *Material: Pin: Phosphor Bronze/Tin over Nickel
Solder Tabs: Phosphor Bronze/Tin over Nickel
Insulator: Nylon 6T, UL94V-0
- *Mates with CJT A1251 series Housing
- *Color: Ivory



Ordering Information & Dimensions:

| PART NO. | Dimensions | |
|---------------|------------|-------|
| | A | B |
| A1251WR-S-2P | 1.25 | 7.75 |
| A1251WR-S-3P | 2.50 | 9.00 |
| A1251WR-S-4P | 3.75 | 10.25 |
| A1251WR-S-5P | 5.00 | 11.50 |
| A1251WR-S-6P | 6.25 | 12.75 |
| A1251WR-S-7P | 7.50 | 14.00 |
| A1251WR-S-8P | 8.75 | 15.25 |
| A1251WR-S-9P | 10.00 | 16.50 |
| A1251WR-S-10P | 11.25 | 17.75 |
| A1251WR-S-11P | 12.50 | 19.00 |
| A1251WR-S-12P | 13.75 | 20.25 |
| A1251WR-S-13P | 15.00 | 21.50 |
| A1251WR-S-14P | 16.25 | 22.75 |
| A1251WR-S-15P | 17.50 | 24.00 |
| A1251WR-S-16P | 18.75 | 25.25 |
| A1251WR-S-17P | 20.00 | 26.50 |
| A1251WR-S-18P | 21.25 | 27.75 |
| A1251WR-S-19P | 22.50 | 29.00 |
| A1251WR-S-20P | 23.75 | 30.25 |

Unit: mm



X-ON Electronics

Largest Supplier of Electrical and Electronic Components

Click to view similar products for [Headers & Wire Housings](#) category:

Click to view products by [Changjiang](#) manufacturer:

Other Similar products are found below :

[57102-F02-18ULF](#) [58102-G61-06LF](#) [582553-1](#) [009176003701906](#) [0050291907](#) [02.125.8002.8](#) [609-3404](#) [61062-3](#) [622-0430](#) [622-3653LF](#)
[63453-116](#) [636-1030](#) [636-1427](#) [636-3427](#) [636-4007](#) [641938-9](#) [65495-038](#) [65692-001LF](#) [65781-018](#) [65781-047](#) [65817-010LF](#) [65817-015LF](#)
[66207-023LF](#) [67016-026LF](#) [67095-007LF](#) [68631-112](#) [68645-018](#) [68648-049](#) [699319-000](#) [M90C108951C](#) [70.362.1628.0](#) [70-4210](#) [70-4226B](#)
[70-4853B](#) [707-5020](#) [707-5028](#) [71.350.2428.0](#) [71961-016LF](#) [733-134](#) [754199-000](#) [760-3052](#) [787-8014-00](#) [FCN-367T-T012/H](#)
[80.063.4001.1](#) [800-90-001-10-001000](#) [801-43-002-10-013000](#) [801-43-006-10-002000](#) [803-41-018-10-001000](#) [803-43-014-20-001000](#)
[803-43-024-10-001000](#)