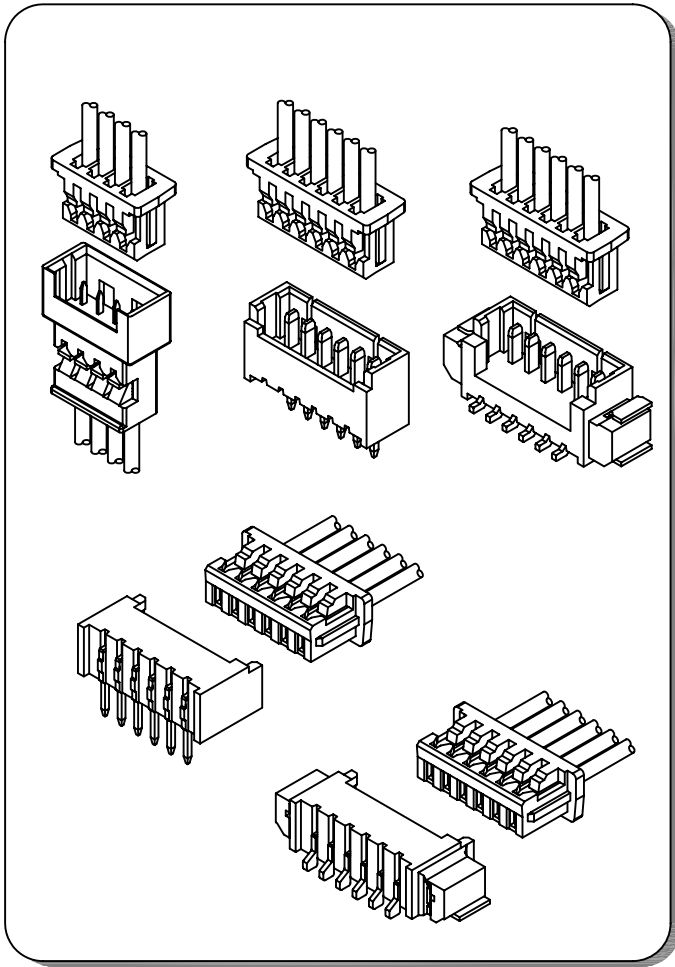


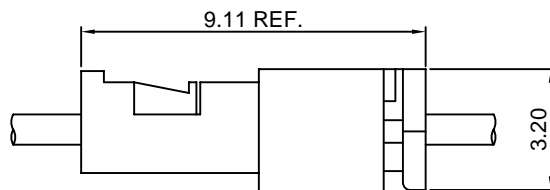
Specifications

- Current rating:1A AC,DC
- Voltage rating:125V AC,DC
- Temperature range:-40°C~+105°C
- Contact resistance:20mΩMax.
- Insulation resistance:100MΩMin.
- Withstanding voltage:500V AC/minute
- *Compliant with RoHS and REACH*
- *Meet the HF/Halogen Free,need to customize*
- *Contact CJT for details*

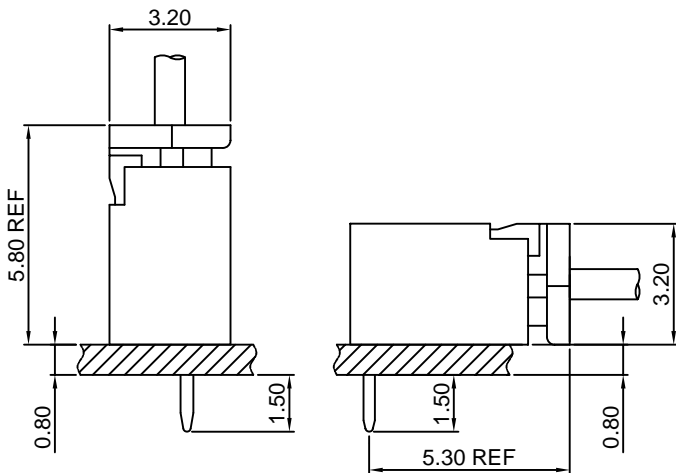
Standards



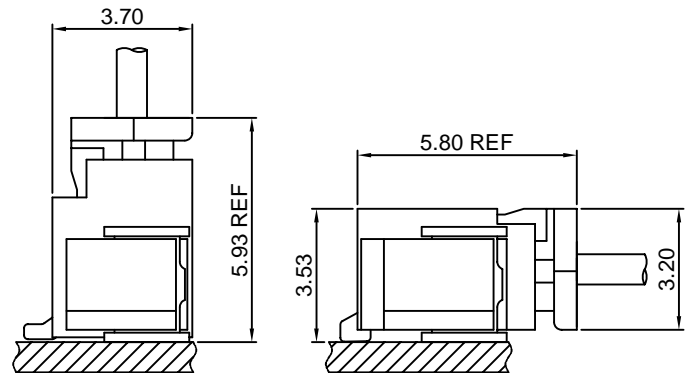
Assembly layout



WIRE TO WIRE



DIP YYPE



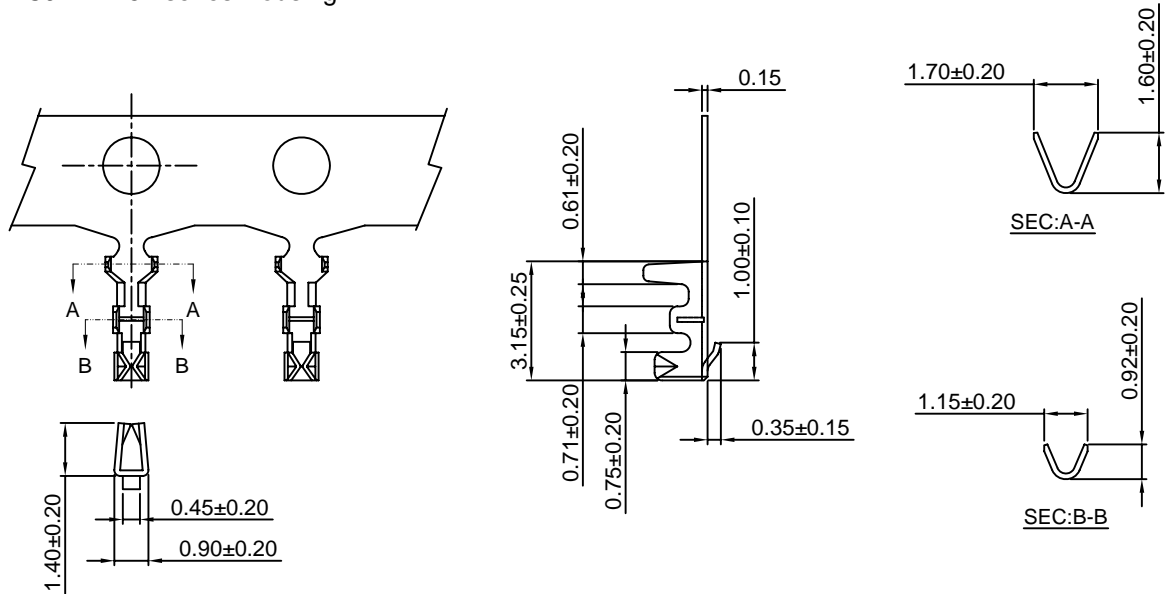
SMT YYPE

A1251-T

1.25mm pitch Crimp Terminal

Reference Informations:

*Used in CJT A1251 series Housing



Ordering information & Specifications:

Unit:mm

Part NO.	Wire Range	Insulation O.D.	Material	Finish	Qty/reel
A1251-TP	AWG#28-#32	1.00mm(max)	Phosphor Bronze	Tin over Nickel	15,000 PCS
A1251-GP	AWG#28-#32	1.00mm(max)	Phosphor Bronze	Gold over Nickel	15,000 PCS

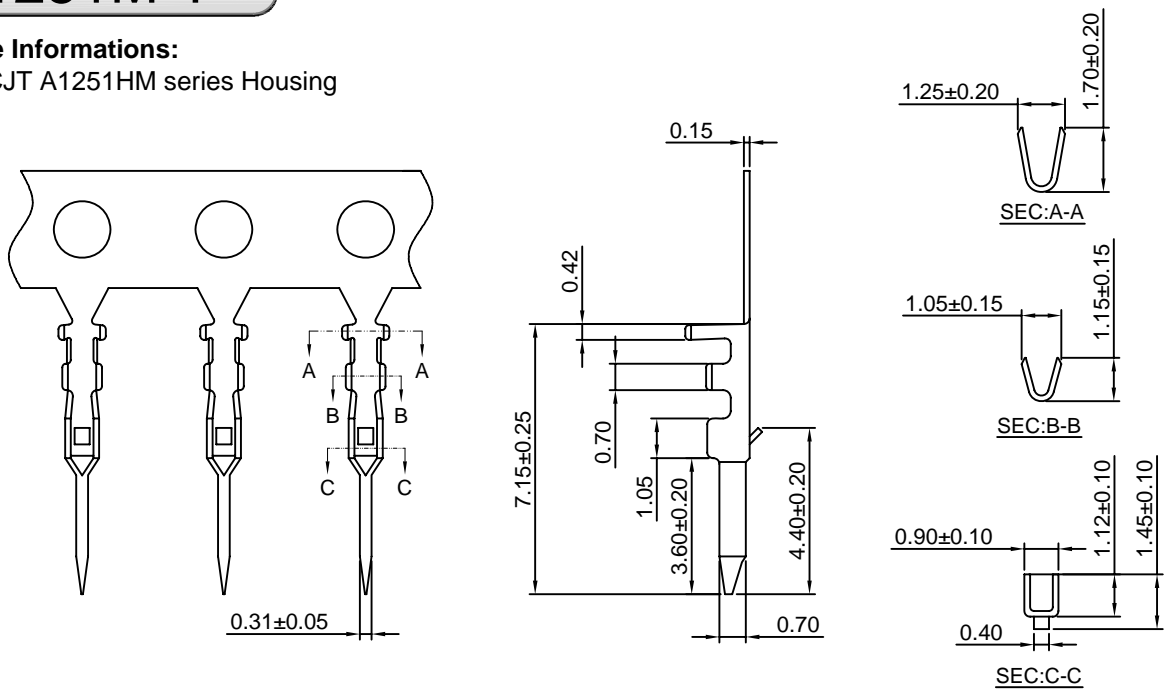
Optional Gold plating available but MOQ requested

A1251M-T

1.25mm pitch Crimp Terminal

Reference Informations:

*Used in CJT A1251HM series Housing



Ordering information & Specifications:

Unit:mm

Part NO.	Wire Range	Insulation O.D.	Material	Finish	Qty/reel
A1251M-TP	AWG#28-#32	1.00mm(max)	Phosphor Bronze	Tin over Nickel	15,000 PCS
A1251M-GP	AWG#28-#32	1.00mm(max)	Phosphor Bronze	Gold over Nickel	15,000 PCS

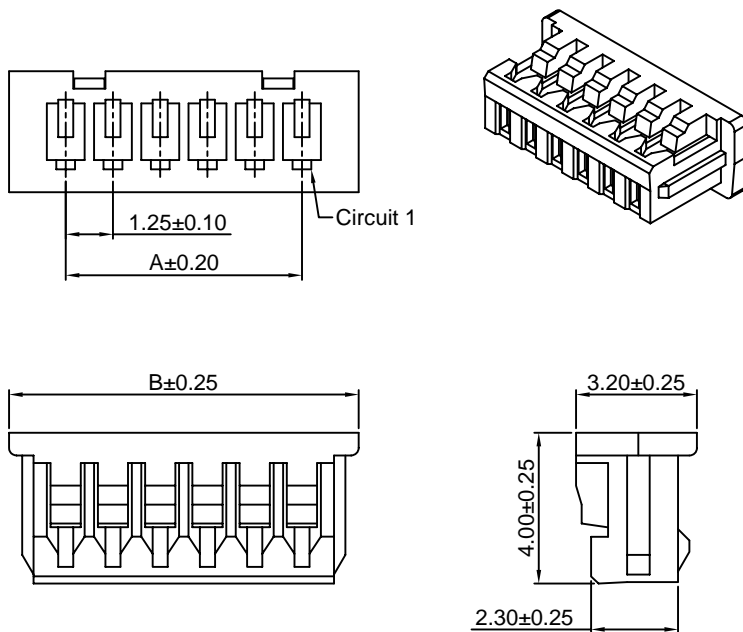
Optional Gold plating available but MOQ requested

A1251H

1.25mm pitch Housing

Reference Informations:

- *Material:Nylon 66,UL94V-0
- *Suitable CJT A1251 series Terminal
- *Mates with CJT A1251 series Wafer
- *Color:White



Ordering Information & Dimensions:

PART NO.	Dimensions	
	A	B
A1251H-2P	1.25	4.25
A1251H-3P	2.50	5.50
A1251H-4P	3.75	6.75
A1251H-5P	5.00	8.00
A1251H-6P	6.25	9.25
A1251H-7P	7.50	10.50
A1251H-8P	8.75	11.75
A1251H-9P	10.00	13.00
A1251H-10P	11.25	14.25
A1251H-11P	12.50	15.50
A1251H-12P	13.75	16.75
A1251H-13P	15.00	18.00
A1251H-14P	16.25	19.25
A1251H-15P	17.50	20.50
A1251H-16P	18.75	15.50
A1251H-17P	20.00	16.75
A1251H-18P	21.25	18.00
A1251H-19P	22.50	19.25
A1251H-20P	23.75	20.50

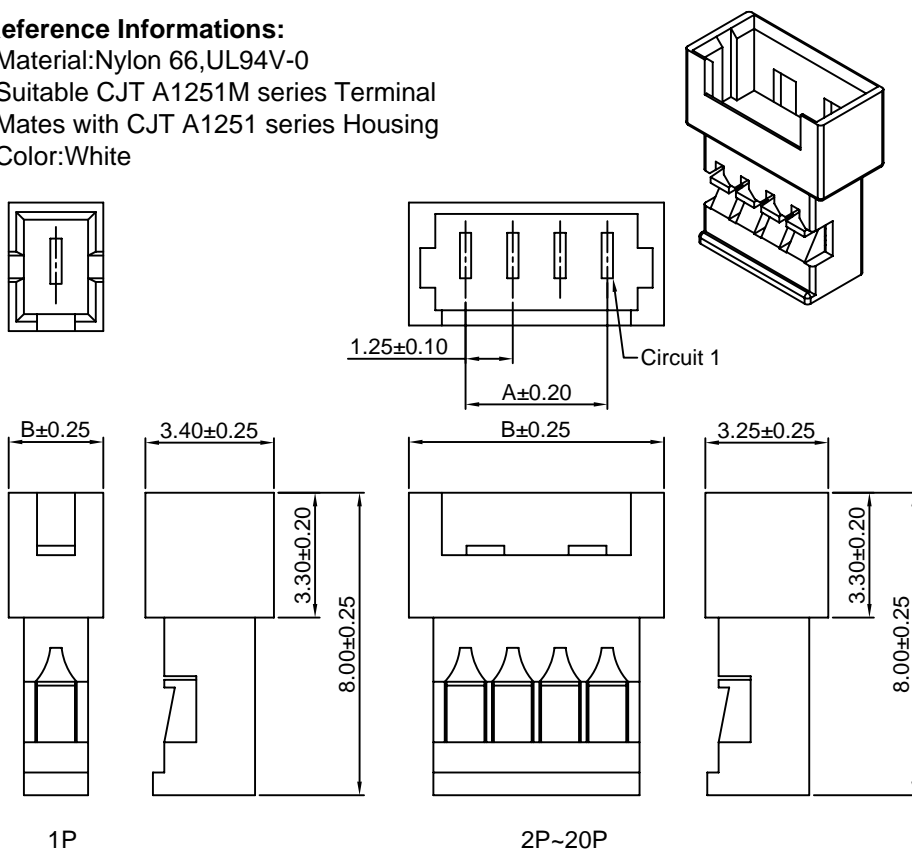
Unit: mm

A1251HM

1.25mm pitch Housing

Reference Informations:

- *Material:Nylon 66,UL94V-0
- *Suitable CJT A1251M series Terminal
- *Mates with CJT A1251 series Housing
- *Color:White



Ordering Information & Dimensions:

PART NO.	Dimensions	
	A	B
A1251HM-1P	----	2.50
A1251HM-2P	1.25	4.25
A1251HM-3P	2.50	5.50
A1251HM-4P	3.75	6.75
A1251HM-5P	5.00	8.00
A1251HM-6P	6.25	9.25
A1251HM-7P	7.50	10.50
A1251HM-8P	8.75	11.75
A1251HM-9P	10.00	13.00
A1251HM-10P	11.25	14.25
A1251HM-11P	12.50	15.50
A1251HM-12P	13.75	16.75
A1251HM-13P	15.00	18.00
A1251HM-14P	16.25	19.25
A1251HM-15P	17.50	20.50
A1251HM-16P	18.75	15.50
A1251HM-17P	20.00	16.75
A1251HM-18P	21.25	18.00
A1251HM-19P	22.50	19.25
A1251HM-20P	23.75	20.50

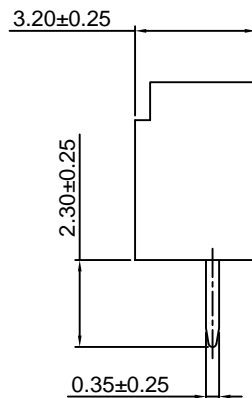
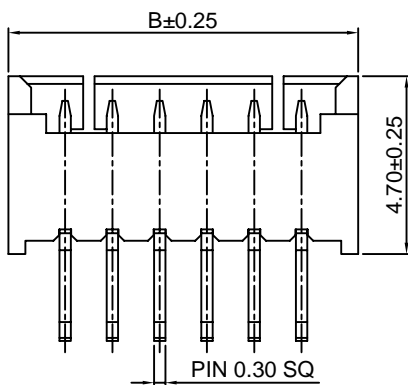
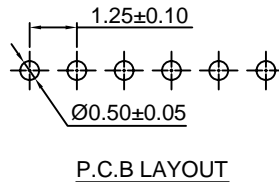
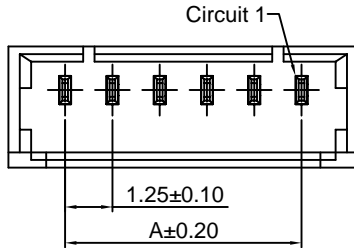
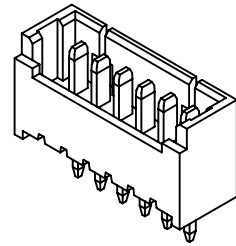
Unit: mm

A1251WV

1.25mm pitch 180° Wafer

Reference Informations:

- *Material:Pin:Phosphor Bronze/Tin over Nickel
Insulator:Nylon 66,UL94V-0
- *Mates with CJT A1251 series Housing
- *Color:Ivory



Ordering Information & Dimensions:

PART NO.	Dimensions	
	A	B
A1251WV-2P	1.25	4.30
A1251WV-3P	2.50	5.55
A1251WV-4P	3.75	6.80
A1251WV-5P	5.00	8.05
A1251WV-6P	6.25	9.30
A1251WV-7P	7.50	10.55
A1251WV-8P	8.75	11.80
A1251WV-9P	10.00	13.05
A1251WV-10P	11.25	14.30
A1251WV-11P	12.50	15.55
A1251WV-12P	13.75	16.80
A1251WV-13P	15.00	18.05
A1251WV-14P	16.25	19.30
A1251WV-15P	17.50	20.55
A1251WV-16P	18.75	21.80
A1251WV-17P	20.00	23.05
A1251WV-18P	21.25	24.30
A1251WV-19P	22.50	25.55
A1251WV-20P	23.75	26.80

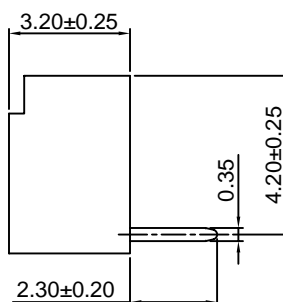
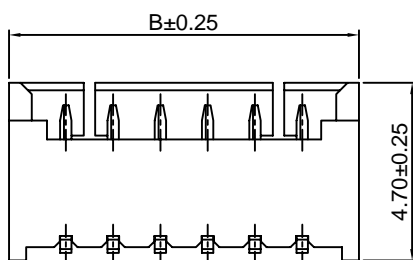
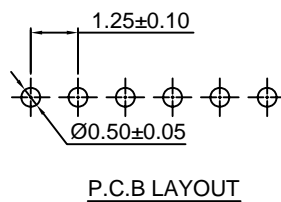
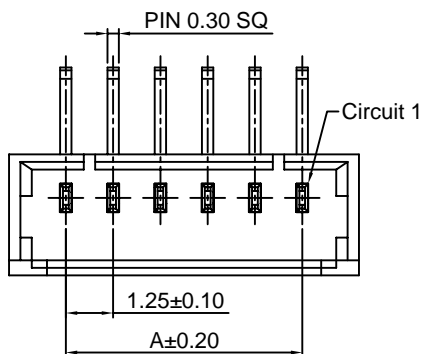
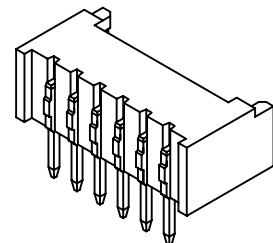
Unit: mm

A1251WR

1.25mm pitch 90° Wafer

Reference Informations:

- *Material:Pin:Phosphor Bronze/Tin over Nickel
Insulator:Nylon 66,UL94V-0
- *Mates with CJT A1251 series Housing
- *Color:Ivory



Ordering Information & Dimensions:

PART NO.	Dimensions	
	A	B
A1251WR-2P	1.25	4.30
A1251WR-3P	2.50	5.55
A1251WR-4P	3.75	6.80
A1251WR-5P	5.00	8.05
A1251WR-6P	6.25	9.30
A1251WR-7P	7.50	10.55
A1251WR-8P	8.75	11.80
A1251WR-9P	10.00	13.05
A1251WR-10P	11.25	14.30
A1251WR-11P	12.50	15.55
A1251WR-12P	13.75	16.80
A1251WR-13P	15.00	18.05
A1251WR-14P	16.25	19.30
A1251WR-15P	17.50	20.55
A1251WR-16P	18.75	21.80
A1251WR-17P	20.00	23.05
A1251WR-18P	21.25	24.30
A1251WR-19P	22.50	25.55
A1251WR-20P	23.75	26.80

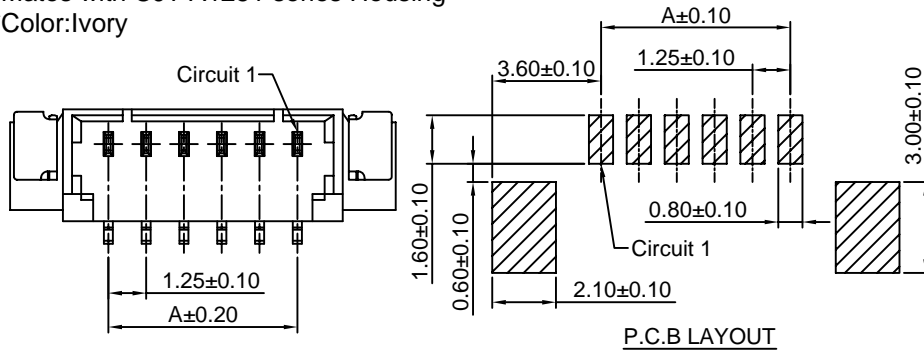
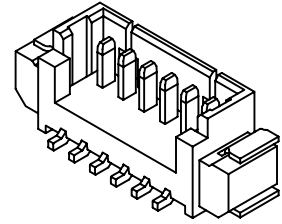
Unit: mm

A1251WV-S

1.25mm pitch 180° Wafer-SMT TYPE

Reference Informations:

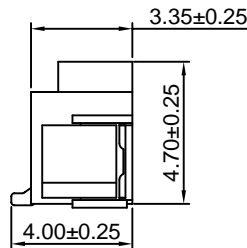
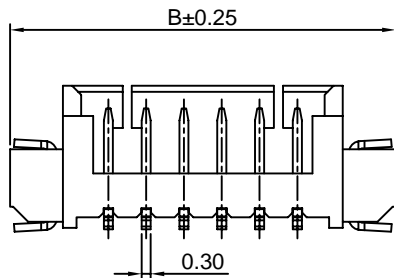
- *Material: Pin: Phosphor Bronze/Tin over Nickel
Solder Tabs: Phosphor Bronze/Tin over Nickel
Insulator: Nylon 6T, UL94V-0
- *Mates with CJT A1251 series Housing
- *Color: Ivory



Ordering Information & Dimensions:

PART NO.	Dimensions	
	A	B
A1251WV-S-2P	1.25	7.75
A1251WV-S-3P	2.50	9.00
A1251WV-S-4P	3.75	10.25
A1251WV-S-5P	5.00	11.50
A1251WV-S-6P	6.25	12.75
A1251WV-S-7P	7.50	14.00
A1251WV-S-8P	8.75	15.25
A1251WV-S-9P	10.00	16.50
A1251WV-S-10P	11.25	17.75
A1251WV-S-11P	12.50	19.00
A1251WV-S-12P	13.75	20.25
A1251WV-S-13P	15.00	21.50
A1251WV-S-14P	16.25	22.75
A1251WV-S-15P	17.50	24.00
A1251WV-S-16P	18.75	25.25
A1251WV-S-17P	20.00	26.50
A1251WV-S-18P	21.25	27.75
A1251WV-S-19P	22.50	29.00
A1251WV-S-20P	23.75	30.25

Unit: mm

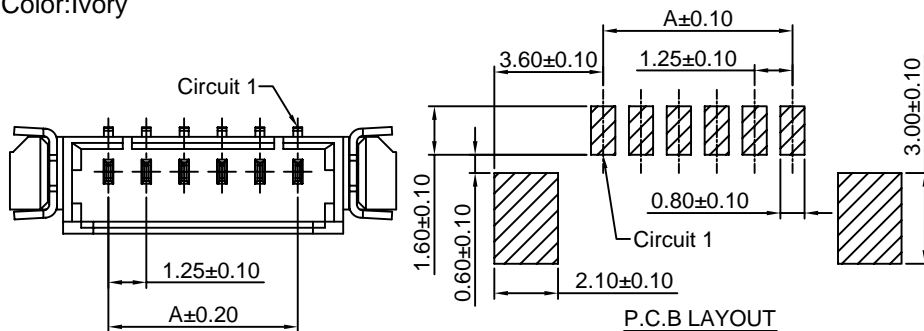
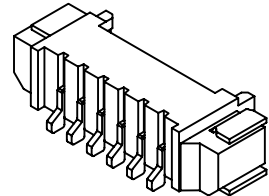


A1251WR-S

1.25mm pitch 90° Wafer-SMT TYPE

Reference Informations:

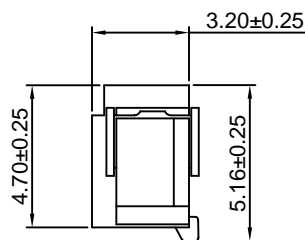
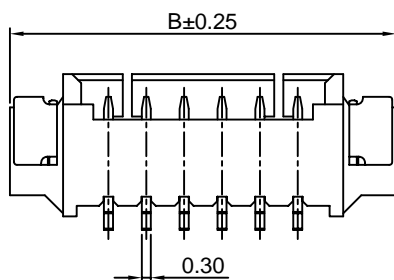
- *Material: Pin: Phosphor Bronze/Tin over Nickel
Solder Tabs: Phosphor Bronze/Tin over Nickel
Insulator: Nylon 6T, UL94V-0
- *Mates with CJT A1251 series Housing
- *Color: Ivory



Ordering Information & Dimensions:

PART NO.	Dimensions	
	A	B
A1251WR-S-2P	1.25	7.75
A1251WR-S-3P	2.50	9.00
A1251WR-S-4P	3.75	10.25
A1251WR-S-5P	5.00	11.50
A1251WR-S-6P	6.25	12.75
A1251WR-S-7P	7.50	14.00
A1251WR-S-8P	8.75	15.25
A1251WR-S-9P	10.00	16.50
A1251WR-S-10P	11.25	17.75
A1251WR-S-11P	12.50	19.00
A1251WR-S-12P	13.75	20.25
A1251WR-S-13P	15.00	21.50
A1251WR-S-14P	16.25	22.75
A1251WR-S-15P	17.50	24.00
A1251WR-S-16P	18.75	25.25
A1251WR-S-17P	20.00	26.50
A1251WR-S-18P	21.25	27.75
A1251WR-S-19P	22.50	29.00
A1251WR-S-20P	23.75	30.25

Unit: mm



X-ON Electronics

Largest Supplier of Electrical and Electronic Components

Click to view similar products for [Headers & Wire Housings](#) category:

Click to view products by [Changjiang](#) manufacturer:

Other Similar products are found below :

[57102-F02-18ULF](#) [58102-G61-06LF](#) [0009485154](#) [009176003701906](#) [0050291907](#) [00-9021-0611-00-339](#) [02.125.8002.8](#) [609-3404](#) [61062-3](#)
[622-0430](#) [622-3653LF](#) [63453-116](#) [636-1030](#) [636-1427](#) [636-3427](#) [636-4007](#) [641938-9](#) [644827-2](#) [65495-038](#) [65692-001LF](#) [65781-018](#)
[65781-047](#) [65817-010LF](#) [65817-015LF](#) [66207-023LF](#) [67016-026LF](#) [67095-007LF](#) [68631-112](#) [68645-018](#) [68648-049](#) [699319-000](#)
[70.362.1628.0](#) [70-4210](#) [70-4226B](#) [70-4853B](#) [707-5020](#) [707-5028](#) [71.350.2428.0](#) [71961-016LF](#) [733-134](#) [754199-000](#) [760-3052](#) [787-8014-00](#)
[FCN-367T-T012/H](#) [80.063.4001.1](#) [800-90-001-10-001000](#) [800-90-010-10-002000](#) [801-43-002-10-013000](#) [801-43-006-10-002000](#)
[803-41-018-10-001000](#)