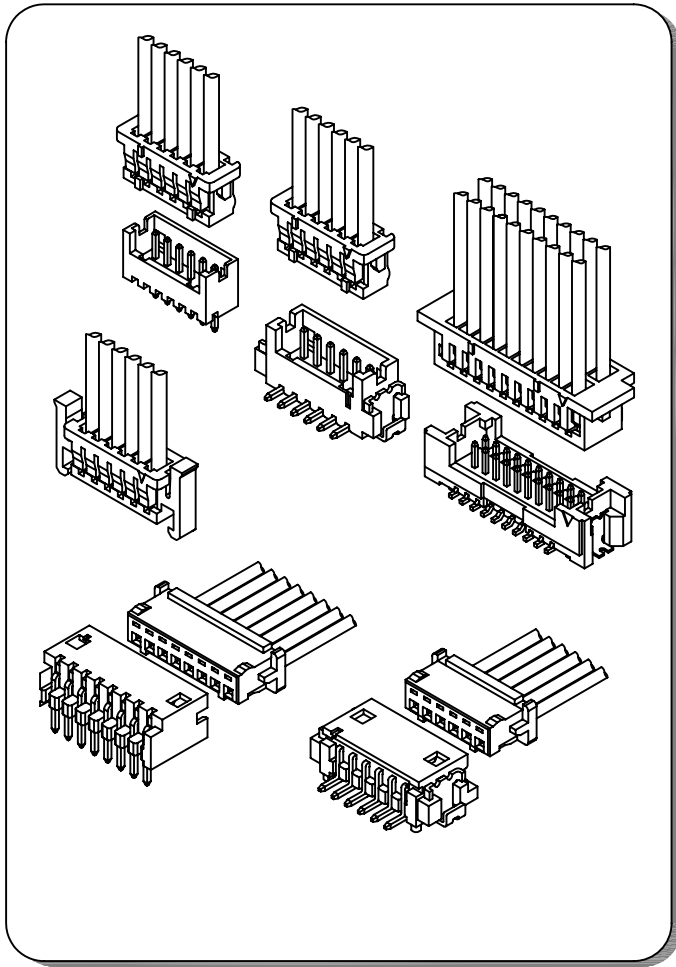


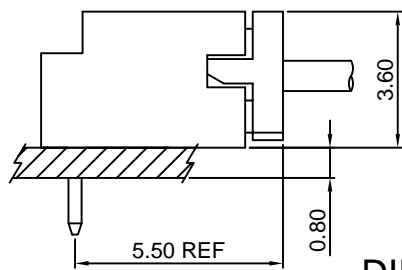
Specifications

- Current rating: 1A AC, DC
- Voltage rating: 150V AC, DC
- Temperature range: -40°C ~ +105°C
- Contact resistance: 30mΩ Max.
- Insulation resistance: 500MΩ Min.
- Withstanding voltage: 500V AC/minute
- *Compliant with RoHS and REACH*
- *Meet the HF/Halogen Free, need to customize*
- *Contact CJT for details*

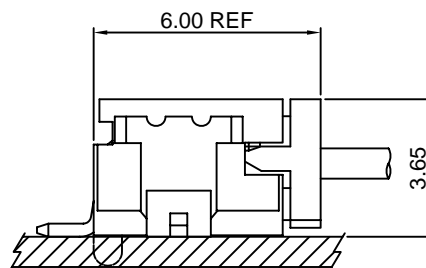
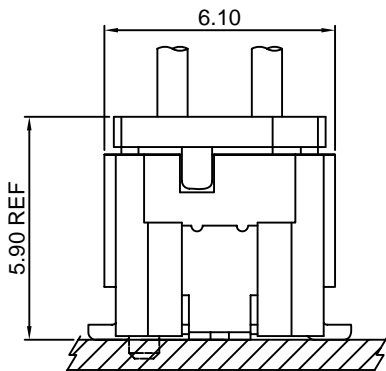
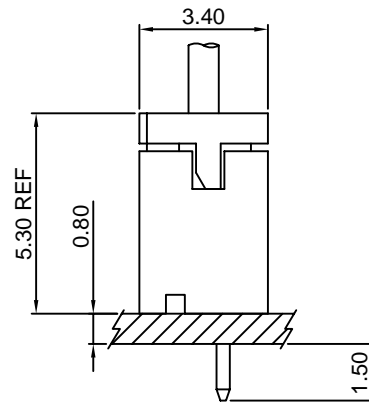
Standards



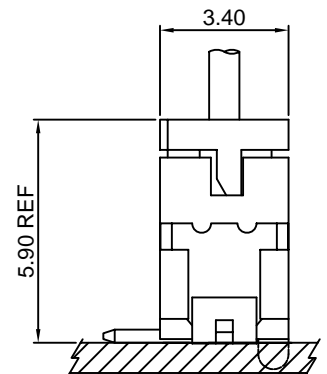
Assembly layout



DIP TYPE



SMT TYPE

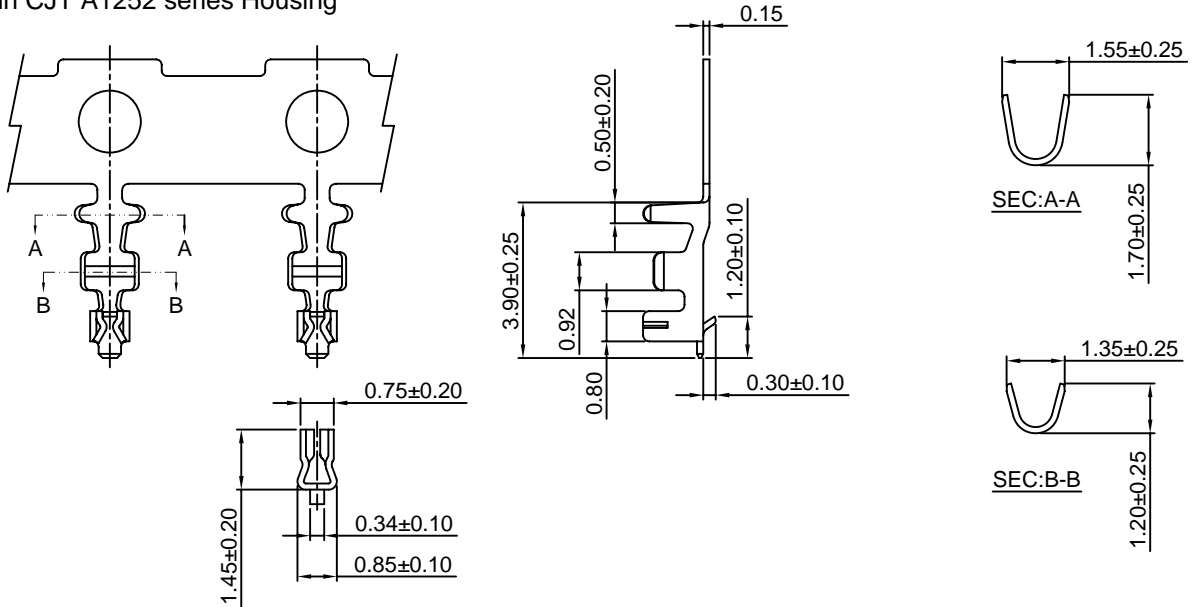


A1252-T

1.25mm pitch Crimp Terminal

Reference Informations:

*Used in CJT A1252 series Housing



Ordering information & Specifications:

Unit:mm

| Part NO. | Wire Range | Insulation O.D. | Material | Finish | Qty/reel |
|----------|------------|-----------------|-----------------|------------------|------------|
| A1252-TP | AWG#26-#30 | 1.00mm(max) | Phosphor Bronze | Tin over Nickel | 10,000 PCS |
| A1252-GP | AWG#26-#30 | 1.00mm(max) | Phosphor Bronze | Gold over Nickel | 10,000 PCS |

Optional Gold plating available but MOQ requested

A1252H

1.25mm pitch Single Row Housing

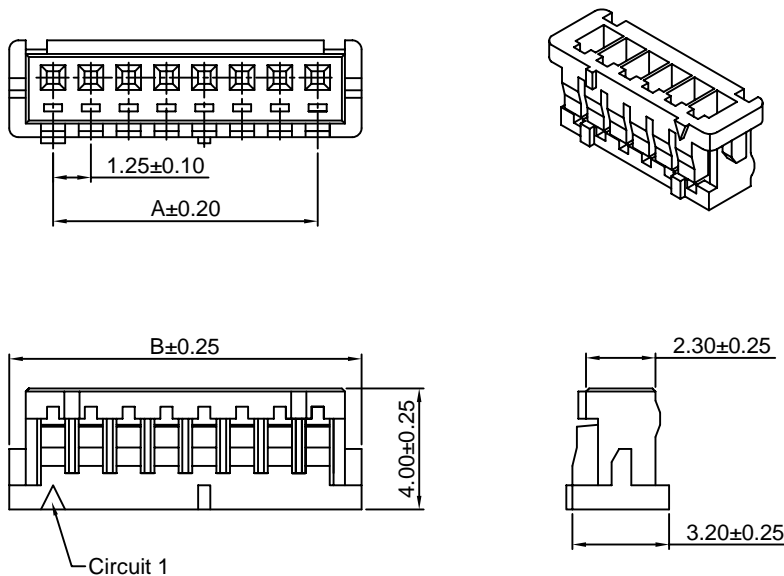
Reference Informations:

*Material:Nylon 66,UL94V-0

*Suitable CJT A1252 series Terminal

*Mates with CJT A1252 series Single Row Wafer

*Color:Gray



Ordering Information & Dimensions:

| PART NO. | Dimensions | |
|------------|------------|-------|
| | A | B |
| A1252H-2P | 1.25 | 4.15 |
| A1252H-3P | 2.50 | 5.40 |
| A1252H-4P | 3.75 | 6.65 |
| A1252H-5P | 5.00 | 7.90 |
| A1252H-6P | 6.25 | 9.15 |
| A1252H-7P | 7.50 | 10.40 |
| A1252H-8P | 8.75 | 11.65 |
| A1252H-9P | 10.00 | 12.90 |
| A1252H-10P | 11.25 | 14.15 |
| A1252H-11P | 12.50 | 15.40 |
| A1252H-12P | 13.75 | 16.65 |
| A1252H-13P | 15.00 | 17.90 |
| A1252H-14P | 16.25 | 19.15 |
| A1252H-15P | 17.50 | 20.40 |

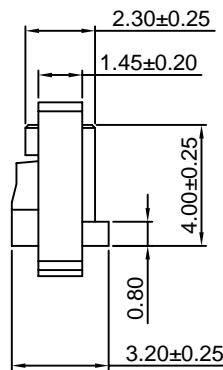
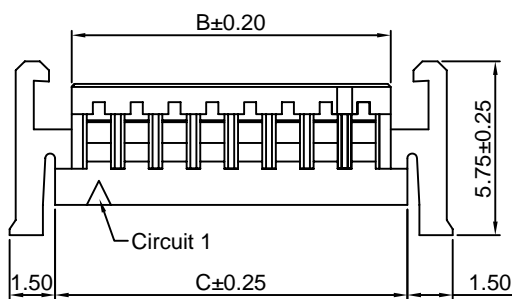
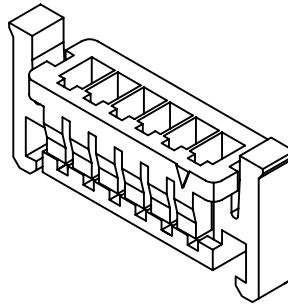
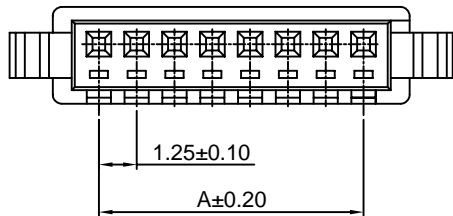
Unit: mm

A1252HA

1.25mm pitch Single Row Housing

Reference Informations:

- *Material:Nylon 66,UL94V-0
- *Suitable CJT A1252 series Terminal
- *Color:White



Ordering Information & Dimensions:

| PART NO. | Dimensions | | |
|-------------|------------|-------|-------|
| | A | B | C |
| A1252HA-2P | 1.25 | 2.90 | 4.15 |
| A1252HA-3P | 2.50 | 4.15 | 5.40 |
| A1252HA-4P | 3.75 | 5.40 | 6.65 |
| A1252HA-5P | 5.00 | 6.65 | 7.90 |
| A1252HA-6P | 6.25 | 7.90 | 9.15 |
| A1252HA-7P | 7.50 | 9.15 | 10.40 |
| A1252HA-8P | 8.75 | 10.40 | 11.65 |
| A1252HA-9P | 10.00 | 11.65 | 12.90 |
| A1252HA-10P | 11.25 | 12.90 | 14.15 |
| A1252HA-11P | 12.50 | 14.15 | 15.40 |
| A1252HA-12P | 13.75 | 15.40 | 16.65 |
| A1252HA-13P | 15.00 | 16.65 | 17.90 |
| A1252HA-14P | 16.25 | 17.90 | 19.15 |
| A1252HA-15P | 17.50 | 19.15 | 20.40 |

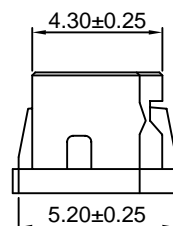
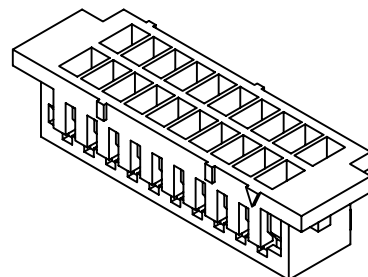
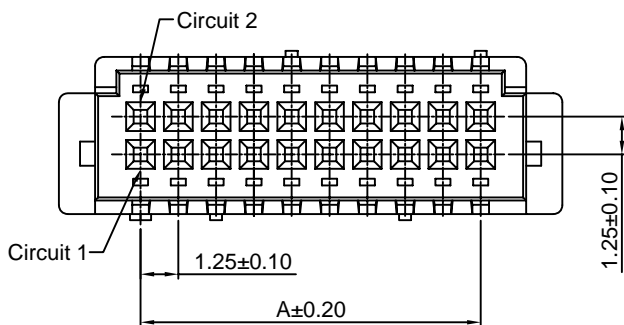
Unit: mm

A1252H-2

1.25mm pitch Dual Row Housing

Reference Informations:

- *Material:Nylon 66,UL94V-0
- *Suitable CJT A1252 series Terminal
- *Mates with CJT A1252WV-S,A1252WV-S-F series Dual Row Wafer
- *Color:Gray



Ordering Information & Dimensions:

| PART NO. | Dimensions | |
|--------------|------------|-------|
| | A | B |
| A1252H-2x5P | 5.00 | 10.40 |
| A1252H-2x7P | 7.50 | 12.90 |
| A1252H-2x10P | 11.25 | 16.65 |
| A1252H-2x15P | 17.50 | 22.90 |
| A1252H-2x20P | 23.75 | 29.15 |

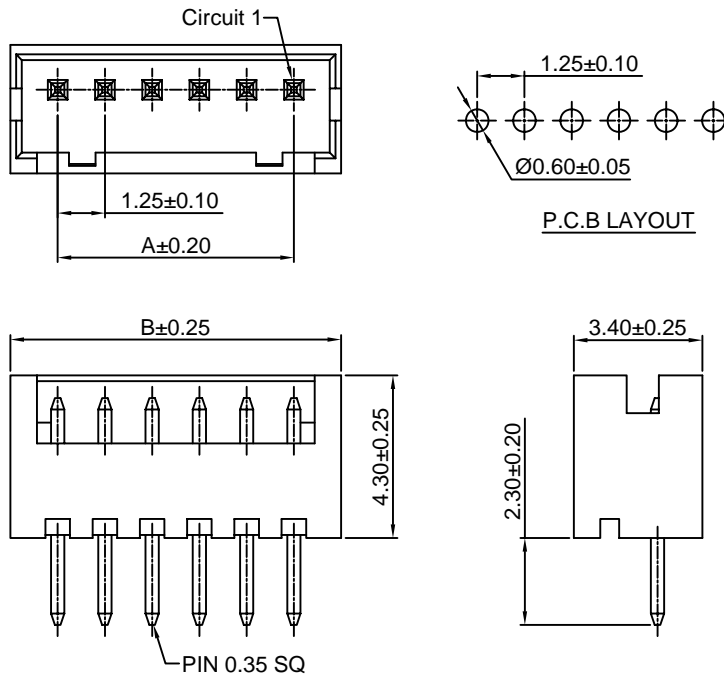
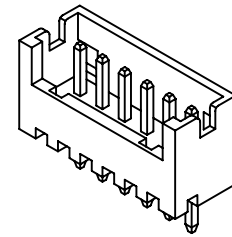
Unit: mm

A1252WV

1.25mm pitch 180° Single Row Wafer

Reference Informations:

- *Material: Pin: Brass/Tin over Nickel
Insulator: Nylon 66, UL94V-0
- *Mates with CJT A1252 series Single Row Housing
- *Color: Gray



Ordering Information & Dimensions:

| PART NO. | Dimensions | |
|-------------|------------|-------|
| | A | B |
| A1252WV-2P | 1.25 | 3.75 |
| A1252WV-3P | 2.50 | 5.00 |
| A1252WV-4P | 3.75 | 6.25 |
| A1252WV-5P | 5.00 | 7.50 |
| A1252WV-6P | 6.25 | 8.75 |
| A1252WV-7P | 7.50 | 10.00 |
| A1252WV-8P | 8.75 | 11.25 |
| A1252WV-9P | 10.00 | 12.50 |
| A1252WV-10P | 11.25 | 13.75 |
| A1252WV-11P | 12.50 | 15.00 |
| A1252WV-12P | 13.75 | 16.25 |
| A1252WV-13P | 15.00 | 17.50 |
| A1252WV-14P | 16.25 | 18.75 |
| A1252WV-15P | 17.50 | 20.00 |

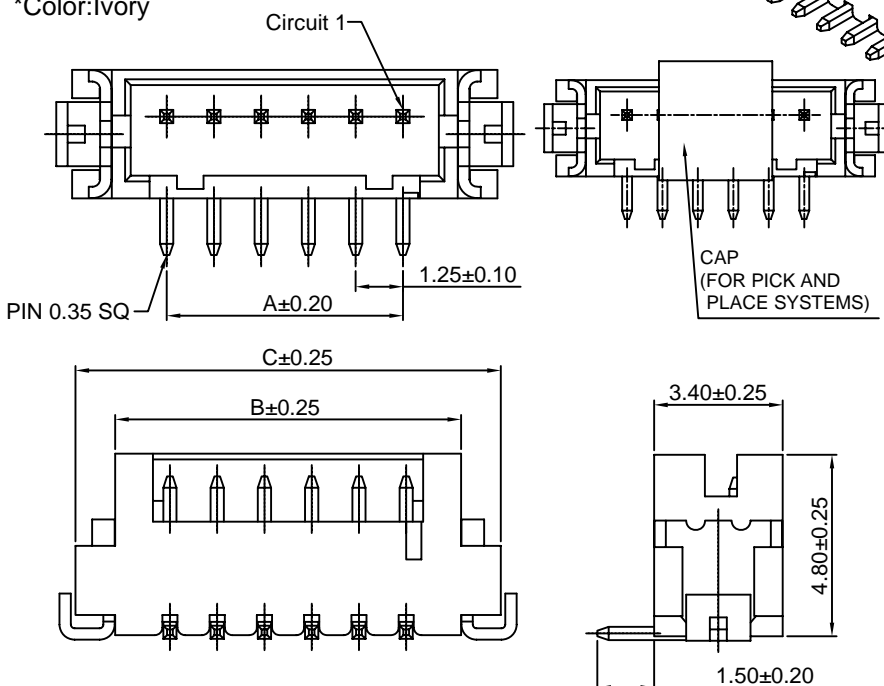
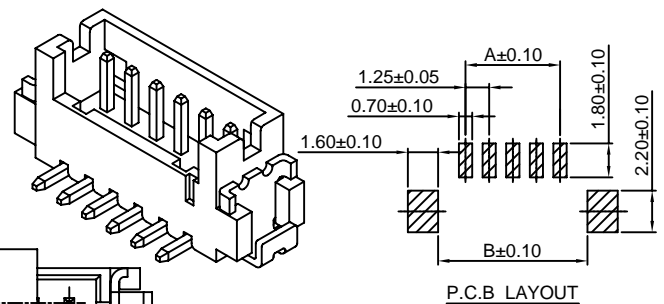
Unit: mm

A1252WV-S

1.25mm pitch 180° Single Row Wafer-SMT TYPE

Reference Informations:

- *Material: Pin: Brass/Tin over Nickel
Insulator: Nylon 6T, UL94V-0
Cap: Nylon 6T, UL94V-0
- *Mates with CJT A1252 series Single Row Housing
- *Color: Ivory



Ordering Information & Dimensions:

| PART NO. | Dimensions | | |
|---------------|------------|-------|-------|
| | A | B | C |
| A1252WV-S-2P | 1.25 | 4.15 | 6.25 |
| A1252WV-S-3P | 2.50 | 5.40 | 7.50 |
| A1252WV-S-4P | 3.75 | 6.65 | 8.75 |
| A1252WV-S-5P | 5.00 | 7.90 | 10.00 |
| A1252WV-S-6P | 6.25 | 9.15 | 11.25 |
| A1252WV-S-7P | 7.50 | 10.40 | 12.50 |
| A1252WV-S-8P | 8.75 | 11.65 | 13.75 |
| A1252WV-S-9P | 10.00 | 12.90 | 15.00 |
| A1252WV-S-10P | 11.25 | 14.15 | 16.25 |
| A1252WV-S-11P | 12.50 | 15.40 | 17.50 |
| A1252WV-S-12P | 13.75 | 16.65 | 18.75 |
| A1252WV-S-13P | 15.00 | 17.90 | 20.00 |
| A1252WV-S-14P | 16.25 | 19.15 | 21.25 |
| A1252WV-S-15P | 17.50 | 20.40 | 22.50 |

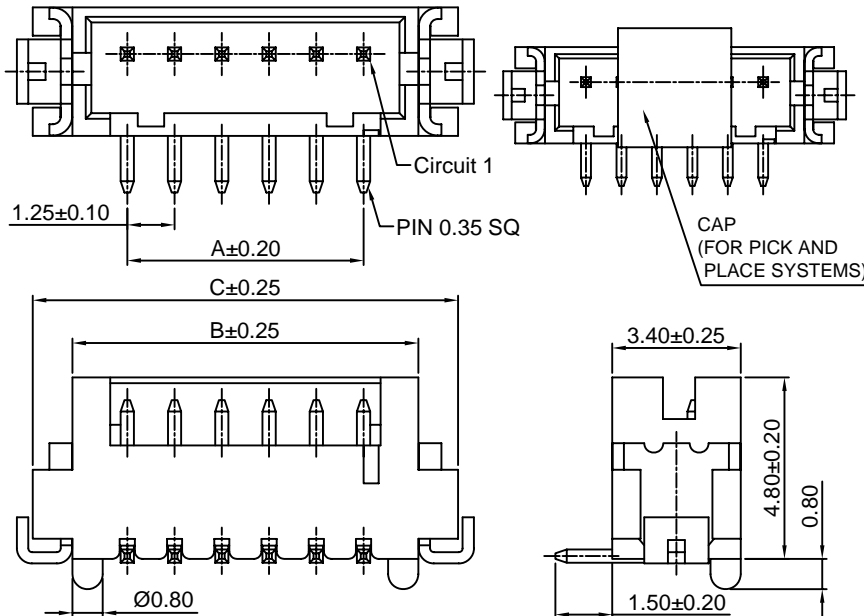
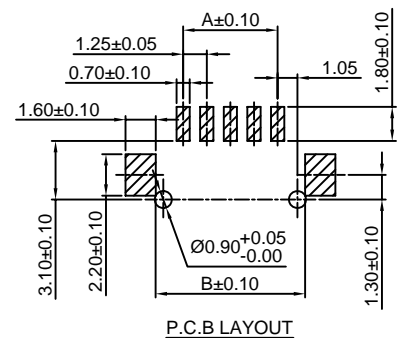
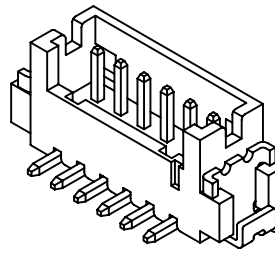
Unit: mm

A1252WV-S-F

1.25mm pitch 180° Single Row Wafer-SMT TYPE

Reference Informations:

- *Material: Pin: Brass/Tin over Nickel
Solder Tabs: Phosphor Bronze/Tin over Nickel
Insulator: Nylon 6T, UL94V-0
Cap: Nylon 6T, UL94V-0
- *Mates with CJT A1252 series Single Row Housing
- *Color: Ivory



Ordering Information & Dimensions:

| PART NO. | Dimensions | | |
|-----------------|------------|-------|-------|
| | A | B | C |
| A1252WV-S-F-2P | 1.25 | 4.15 | 6.25 |
| A1252WV-S-F-3P | 2.50 | 5.40 | 7.50 |
| A1252WV-S-F-4P | 3.75 | 6.65 | 8.75 |
| A1252WV-S-F-5P | 5.00 | 7.90 | 10.00 |
| A1252WV-S-F-6P | 6.25 | 9.15 | 11.25 |
| A1252WV-S-F-7P | 7.50 | 10.40 | 12.50 |
| A1252WV-S-F-8P | 8.75 | 11.65 | 13.75 |
| A1252WV-S-F-9P | 10.00 | 12.90 | 15.00 |
| A1252WV-S-F-10P | 11.25 | 14.15 | 16.25 |
| A1252WV-S-F-11P | 12.50 | 15.40 | 17.50 |
| A1252WV-S-F-12P | 13.75 | 16.65 | 18.75 |
| A1252WV-S-F-13P | 15.00 | 17.90 | 20.00 |
| A1252WV-S-F-14P | 16.25 | 19.15 | 21.25 |
| A1252WV-S-F-15P | 17.50 | 20.40 | 22.50 |

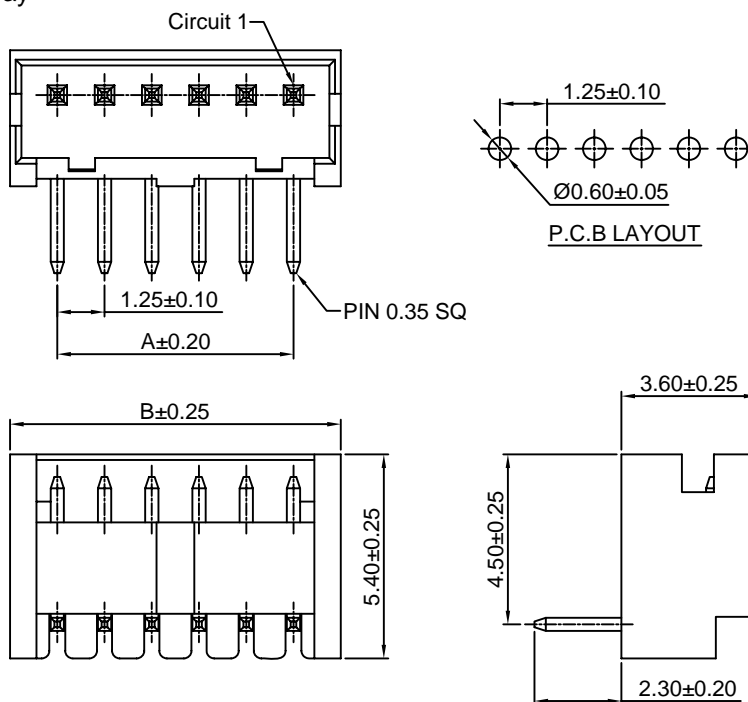
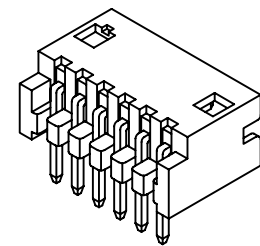
Unit: mm

A1252WR

1.25mm pitch 90° Single Row Wafer

Reference Informations:

- *Material: Pin: Brass/Tin over Nickel
Insulator: Nylon 66, UL94V-0
- *Mates with CJT A1252 series Single Row Housing
- *Color: Gray



Ordering Information & Dimensions:

| PART NO. | Dimensions | |
|-------------|------------|-------|
| | A | B |
| A1252WR-2P | 1.25 | 3.75 |
| A1252WR-3P | 2.50 | 5.00 |
| A1252WR-4P | 3.75 | 6.25 |
| A1252WR-5P | 5.00 | 7.50 |
| A1252WR-6P | 6.25 | 8.75 |
| A1252WR-7P | 7.50 | 10.00 |
| A1252WR-8P | 8.75 | 11.25 |
| A1252WR-9P | 10.00 | 12.50 |
| A1252WR-10P | 11.25 | 13.75 |
| A1252WR-11P | 12.50 | 15.00 |
| A1252WR-12P | 13.75 | 16.25 |
| A1252WR-13P | 15.00 | 17.50 |
| A1252WR-14P | 16.25 | 18.75 |
| A1252WR-15P | 17.50 | 20.00 |

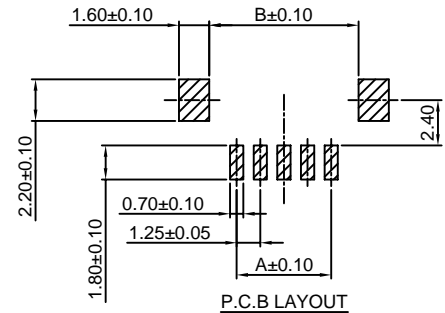
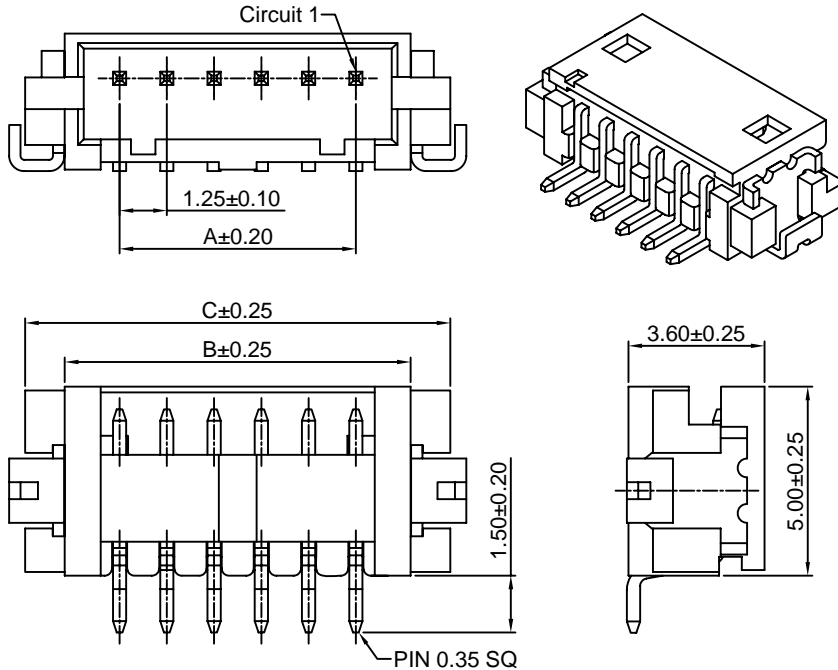
Unit: mm

A1252WR-S

1.25mm pitch 90° Single Row Wafer-SMT TYPE

Reference Informations:

- *Material: Pin: Brass/Tin over Nickel
Solder Tabs: Phosphor Bronze/Tin over Nickel
Insulator: Nylon 6T, UL94V-0
- *Mates with CJT A1252 series Single Row Housing
- *Color: Ivory



Ordering Information & Dimensions:

| PART NO. | Dimensions | | |
|---------------|------------|-------|-------|
| | A | B | C |
| A1252WR-S-2P | 1.25 | 4.15 | 6.25 |
| A1252WR-S-3P | 2.50 | 5.40 | 7.50 |
| A1252WR-S-4P | 3.75 | 6.65 | 8.75 |
| A1252WR-S-5P | 5.00 | 7.90 | 10.00 |
| A1252WR-S-6P | 6.25 | 9.15 | 11.25 |
| A1252WR-S-7P | 7.50 | 10.40 | 12.50 |
| A1252WR-S-8P | 8.75 | 11.65 | 13.75 |
| A1252WR-S-9P | 10.00 | 12.90 | 15.00 |
| A1252WR-S-10P | 11.25 | 14.15 | 16.25 |
| A1252WR-S-11P | 12.50 | 15.40 | 17.50 |
| A1252WR-S-12P | 13.75 | 16.65 | 18.75 |
| A1252WR-S-13P | 15.00 | 17.90 | 20.00 |
| A1252WR-S-14P | 16.25 | 19.15 | 21.25 |
| A1252WR-S-15P | 17.50 | 20.40 | 22.50 |

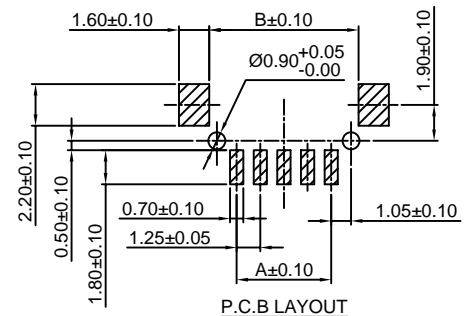
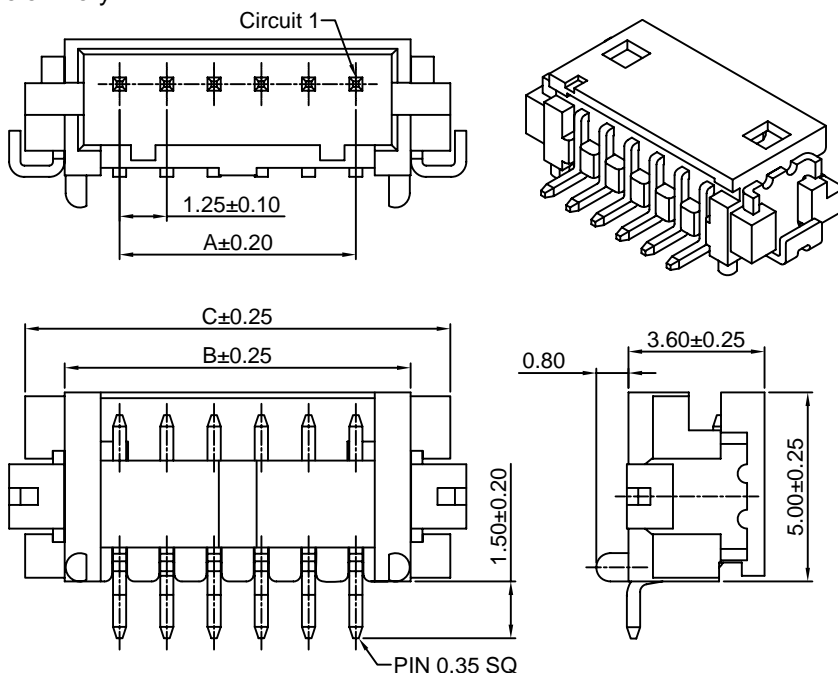
Unit: mm

A1252WR-S-F

1.25mm pitch 90° Single Row Wafer-SMT TYPE

Reference Informations:

- *Material: Pin: Brass/Tin over Nickel
Solder Tabs: Phosphor Bronze/Tin over Nickel
Insulator: Nylon 6T, UL94V-0
- *Mates with CJT A1252 series Single Row Housing
- *Color: Ivory



Ordering Information & Dimensions:

| PART NO. | Dimensions | | |
|-----------------|------------|-------|-------|
| | A | B | C |
| A1252WR-S-F-2P | 1.25 | 4.15 | 6.25 |
| A1252WR-S-F-3P | 2.50 | 5.40 | 7.50 |
| A1252WR-S-F-4P | 3.75 | 6.65 | 8.75 |
| A1252WR-S-F-5P | 5.00 | 7.90 | 10.00 |
| A1252WR-S-F-6P | 6.25 | 9.15 | 11.25 |
| A1252WR-S-F-7P | 7.50 | 10.40 | 12.50 |
| A1252WR-S-F-8P | 8.75 | 11.65 | 13.75 |
| A1252WR-S-F-9P | 10.00 | 12.90 | 15.00 |
| A1252WR-S-F-10P | 11.25 | 14.15 | 16.25 |
| A1252WR-S-F-11P | 12.50 | 15.40 | 17.50 |
| A1252WR-S-F-12P | 13.75 | 16.65 | 18.75 |
| A1252WR-S-F-13P | 15.00 | 17.90 | 20.00 |
| A1252WR-S-F-14P | 16.25 | 19.15 | 21.25 |
| A1252WR-S-F-15P | 17.50 | 20.40 | 22.50 |

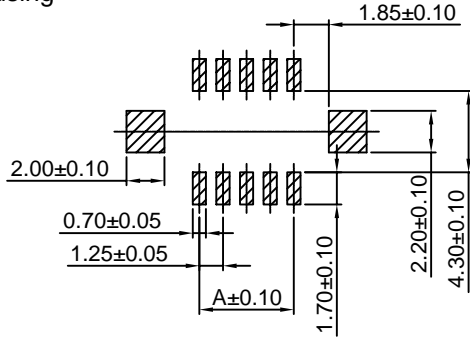
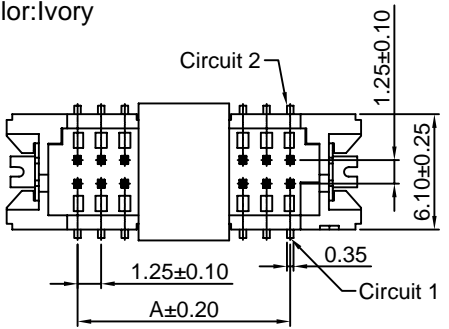
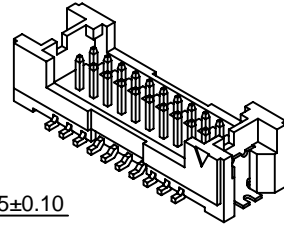
Unit: mm

A1252WV-S-2

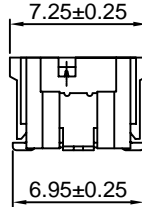
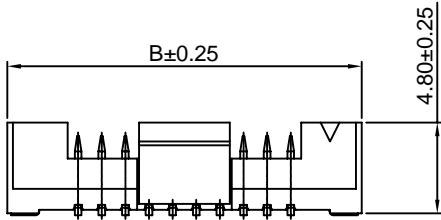
1.25mm pitch 180° Dual Row Wafer-SMT TYPE

Reference Informations:

- *Material: Pin: Brass/Tin over Nickel
Solder Tabs: Phosphor Bronze/Tin over Nickel
Insulator: Nylon 6T, UL94V-0
Cap: Nylon 6T, UL94V-0
- *Mates with CJT A1252 series Dual Row Housing
- *Color: Ivory



P.C.B LAYOUT



Ordering Information & Dimensions:

| PART NO. | Dimensions | |
|-----------------|------------|-------|
| | A | B |
| A1252WV-S-2x5P | 5.00 | 12.50 |
| A1252WV-S-2x7P | 7.50 | 15.00 |
| A1252WV-S-2x10P | 11.25 | 18.75 |
| A1252WV-S-2x15P | 17.50 | 25.00 |
| A1252WV-S-2x20P | 23.75 | 31.25 |

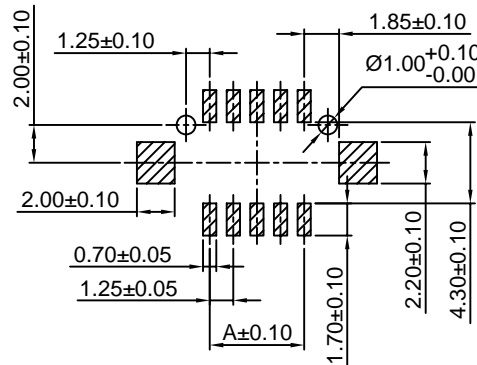
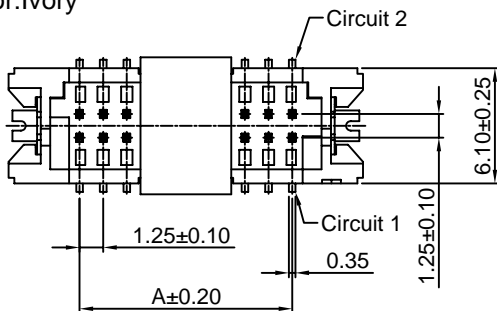
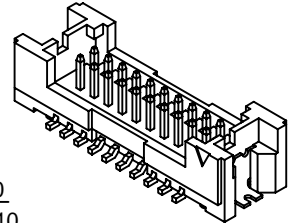
Unit: mm

A1252WV-S-F-2

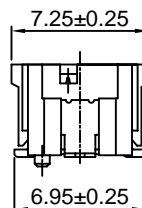
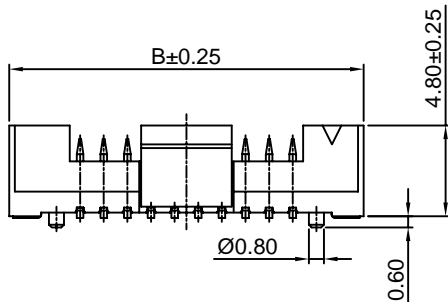
1.25mm pitch 180° Dual Row Wafer-SMT TYPE

Reference Informations:

- *Material: Pin: Brass/Tin over Nickel
Solder Tabs: Phosphor Bronze/Tin over Nickel
Insulator: Nylon 6T, UL94V-0
Cap: Nylon 6T, UL94V-0
- *Mates with CJT A1252 series Dual Row Housing
- *Color: Ivory



P.C.B LAYOUT



Ordering Information & Dimensions:

| PART NO. | Dimensions | |
|-------------------|------------|-------|
| | A | B |
| A1252WV-S-F-2x5P | 5.00 | 12.50 |
| A1252WV-S-F-2x7P | 7.50 | 15.00 |
| A1252WV-S-F-2x10P | 11.25 | 18.75 |
| A1252WV-S-F-2x15P | 17.50 | 25.00 |
| A1252WV-S-F-2x20P | 23.75 | 31.25 |

Unit: mm

X-ON Electronics

Largest Supplier of Electrical and Electronic Components

Click to view similar products for [Headers & Wire Housings](#) category:

Click to view products by [Changjiang](#) manufacturer:

Other Similar products are found below :

[57102-F02-18ULF](#) [58102-G61-06LF](#) [0009485154](#) [009176003701906](#) [0050291907](#) [00-9021-0611-00-339](#) [02.125.8002.8](#) [609-3404](#) [61062-3](#)
[622-0430](#) [622-3653LF](#) [63453-116](#) [636-1030](#) [636-1427](#) [636-3427](#) [636-4007](#) [641938-9](#) [644827-2](#) [65495-038](#) [65692-001LF](#) [65781-018](#)
[65781-047](#) [65817-010LF](#) [65817-015LF](#) [66207-023LF](#) [67016-026LF](#) [67095-007LF](#) [68631-112](#) [68645-018](#) [68648-049](#) [699319-000](#)
[70.362.1628.0](#) [70-4210](#) [70-4226B](#) [70-4853B](#) [707-5020](#) [707-5028](#) [71.350.2428.0](#) [71961-016LF](#) [733-134](#) [754199-000](#) [760-3052](#) [787-8014-00](#)
[FCN-367T-T012/H](#) [80.063.4001.1](#) [800-90-001-10-001000](#) [800-90-010-10-002000](#) [801-43-002-10-013000](#) [801-43-006-10-002000](#)
[803-41-018-10-001000](#)