

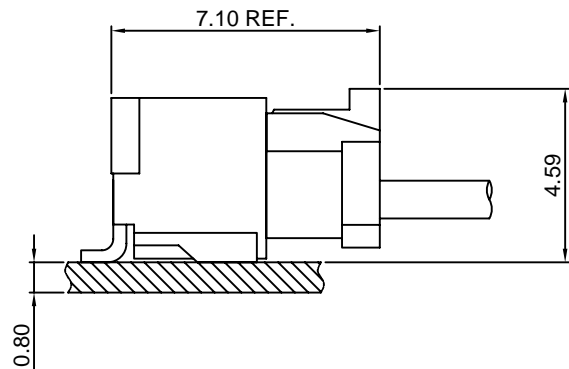
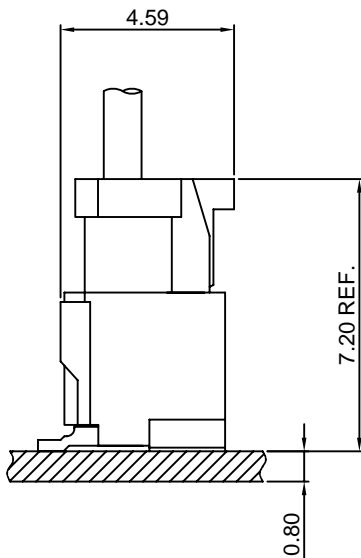
Specifications

- Current rating:1A AC,DC
- Voltage rating:50V AC,DC
- Temperature range:-40°C~+105°C
- Contact resistance:30mΩMax.
- Insulation resistance:100MΩMin.
- Withstanding voltage:500V AC/minute
- *Compliant with RoHS and REACH*
- *Meet the HF/Halogen Free,need to customize*
- *Contact CJT for details*

Standards



Assembly layout

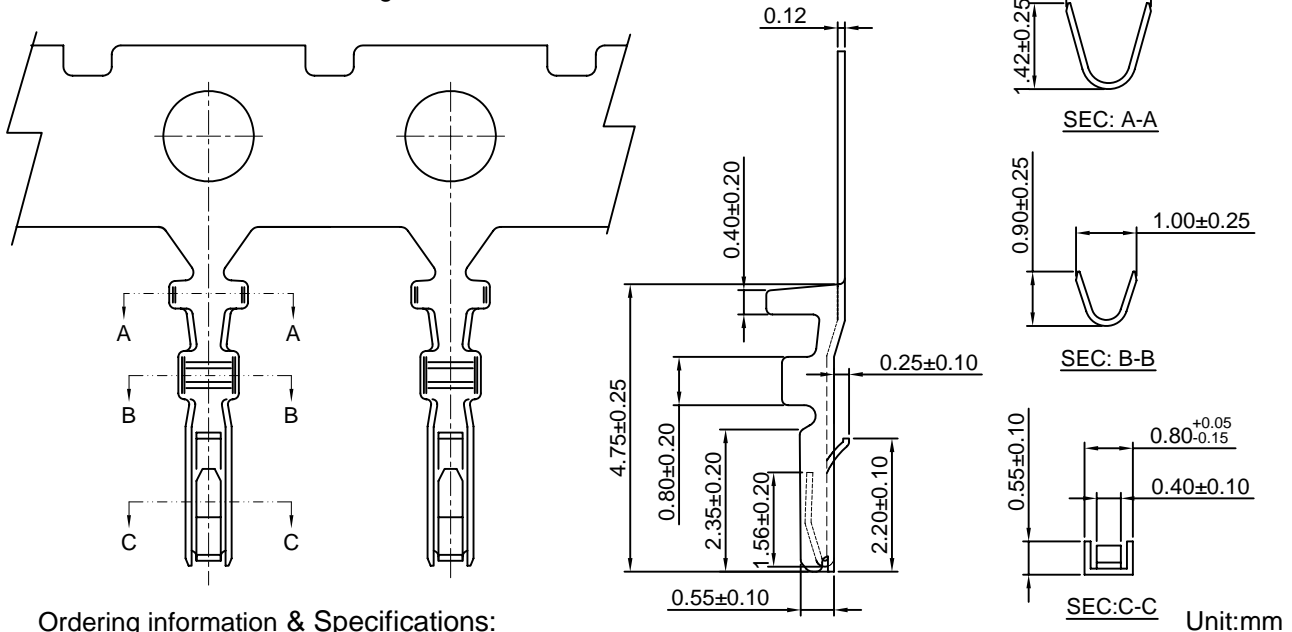


A1257-T

1.25mm pitch Crimp Terminal

Reference Informations:

*Used in CJT A1257 series Housing



Ordering information & Specifications:

Part NO	Wire Range	Insulation O.D.	Material	Finish	Qty/reel
A1257-TP	AWG#28-#32	1.00mm(max)	Phosphor Bronze	Tin over Nickel	20,000 PCS
A1257-GP	AWG#28-#32	1.00mm(max)	Phosphor Bronze	Gold over Nickel	20,000 PCS

Optional Gold plating available but MOQ requested

A1257H

1.25mm pitch Housing

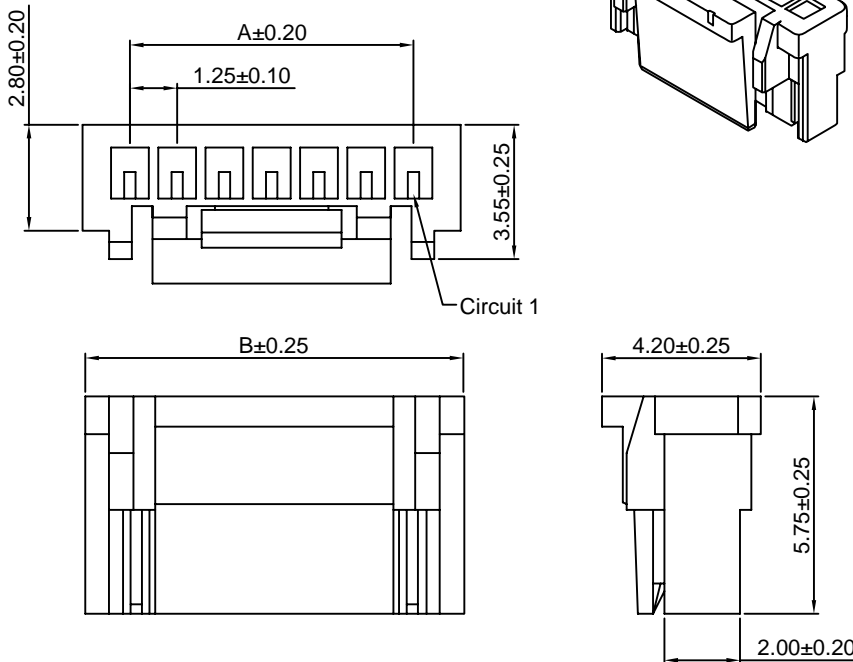
Reference Informations:

*Material:Nylon 66,UL94V-0

*Suitable CJT A1257 series Terminal

*Mates with CJT A1257 series Wafer

*Color:White



Ordering Information & Dimensions:

PART NO.	Dimensions	
	A	B
A1257H-2P	1.25	3.75
A1257H-3P	2.50	5.00
A1257H-4P	3.75	6.25
A1257H-5P	5.00	7.50
A1257H-6P	6.25	8.75
A1257H-7P	7.50	10.00
A1257H-8P	8.75	11.25
A1257H-9P	10.00	12.50
A1257H-10P	11.25	13.75
A1257H-11P	12.50	15.00
A1257H-12P	13.75	16.25
A1257H-13P	15.00	17.50
A1257H-14P	16.25	18.75
A1257H-15P	17.50	20.00

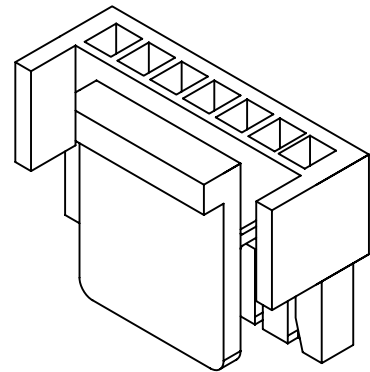
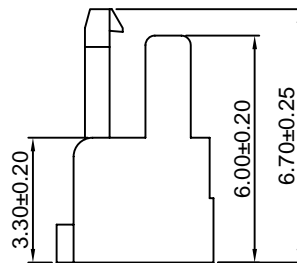
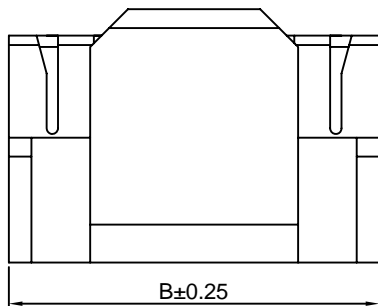
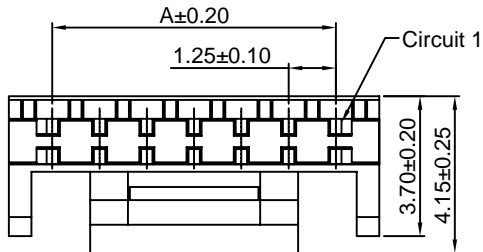
Unit: mm

A1257HA

1.25mm pitch Housing

Reference Informations:

- *Material:PBT,UL94V-0
- *Suitable CJT A1257 series Terminal
- *Mates with CJT A1257 series Wafer
- *Color:White



Ordering Information & Dimensions:

PART NO.	Dimensions	
	A	B
A1257HA-4P	3.75	6.05
A1257HA-5P	5.00	7.30
A1257HA-7P	7.50	9.80
A1257HA-8P	8.75	11.05
A1257HA-10P	11.25	13.56

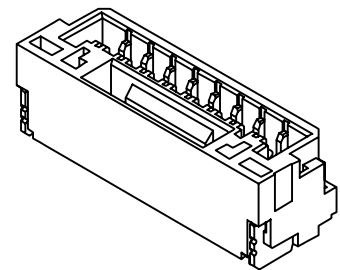
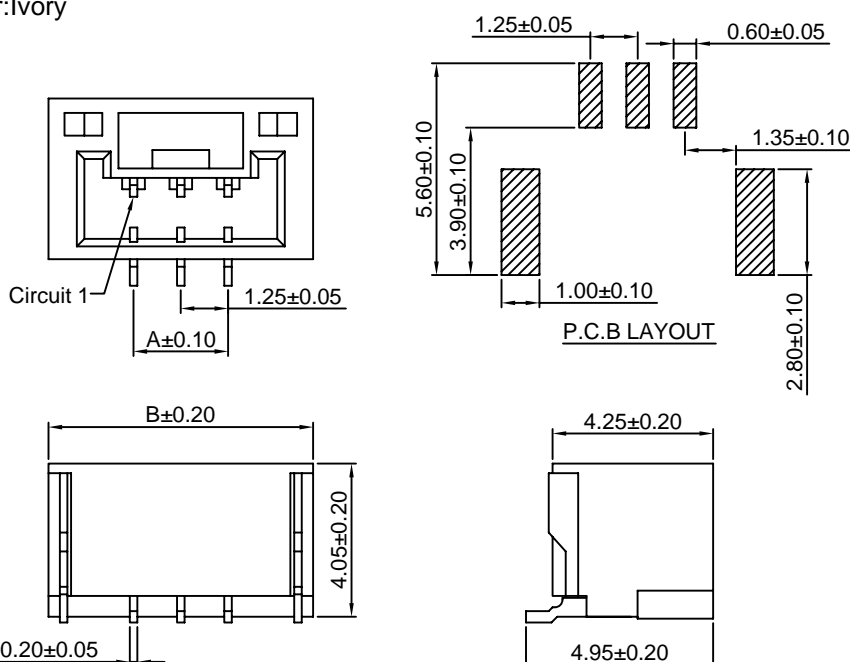
Unit: mm

A1257WV-S

1.25mm pitch 180° Wafer-SMT TYPE

Reference Informations:

- *Material:Pin:Brass/Tin over Nickel
Insulator:Nylon 9T,UL94V-0
- *Mates with CJT A1257 series Housing
- *Color:Ivory



Ordering Information & Dimensions:

PART NO.	Dimensions	
	A	B
A1257WV-S-2P	1.25	5.75
A1257WV-S-3P	2.50	7.00
A1257WV-S-4P	3.75	8.25
A1257WV-S-5P	5.00	9.50
A1257WV-S-6P	6.25	10.75
A1257WV-S-7P	7.50	12.00
A1257WV-S-8P	8.75	13.25
A1257WV-S-9P	10.00	14.50
A1257WV-S-10P	11.25	15.75
A1257WV-S-11P	12.50	17.00
A1257WV-S-12P	13.75	18.25
A1257WV-S-13P	15.00	19.50
A1257WV-S-14P	16.25	20.75
A1257WV-S-15P	17.50	22.00

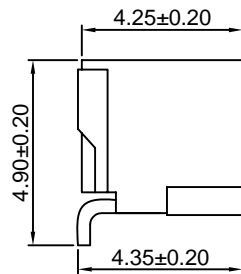
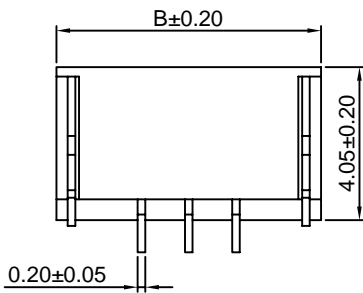
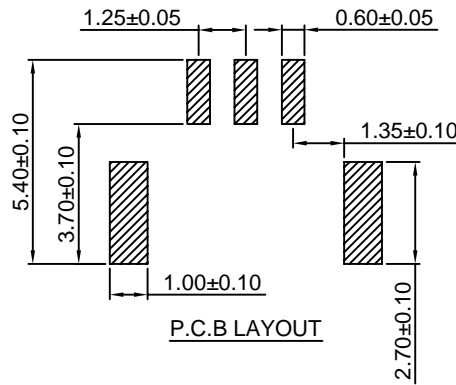
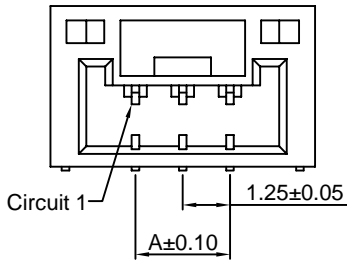
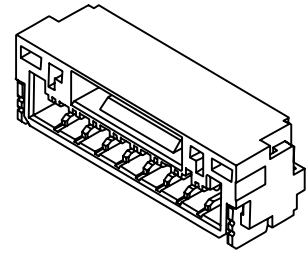
Unit: mm

A1257WR-S

1.25mm pitch 90° Wafer-SMT TYPE

Reference Informations:

- *Material: Pin: Brass/Tin over Nickel
Insulator: Nylon 9T, UL94V-0
- *Mates with CJT A1257 series Housing
- *Color: Ivory



Ordering Information & Dimensions:

PART NO.	Dimensions	
	A	B
A1257WR-S-2P	1.25	5.75
A1257WR-S-3P	2.50	7.00
A1257WR-S-4P	3.75	8.25
A1257WR-S-5P	5.00	9.50
A1257WR-S-6P	6.25	10.75
A1257WR-S-7P	7.50	12.00
A1257WR-S-8P	8.75	13.25
A1257WR-S-9P	10.00	14.50
A1257WR-S-10P	11.25	15.75
A1257WR-S-11P	12.50	17.00
A1257WR-S-12P	13.75	18.25
A1257WR-S-13P	15.00	19.50
A1257WR-S-14P	16.25	20.75
A1257WR-S-15P	17.50	22.00

Unit: mm

X-ON Electronics

Largest Supplier of Electrical and Electronic Components

Click to view similar products for [Headers & Wire Housings](#) category:

Click to view products by [Changjiang](#) manufacturer:

Other Similar products are found below :

[57102-F02-18ULF](#) [58102-G61-06LF](#) [0009485154](#) [009176003701906](#) [0050291907](#) [00-9021-0611-00-339](#) [02.125.8002.8](#) [609-3404](#) [61062-3](#)
[622-0430](#) [622-3653LF](#) [63453-116](#) [636-1030](#) [636-1427](#) [636-3427](#) [636-4007](#) [641938-9](#) [644827-2](#) [65495-038](#) [65692-001LF](#) [65781-018](#)
[65781-047](#) [65817-010LF](#) [65817-015LF](#) [66207-023LF](#) [67016-026LF](#) [67095-007LF](#) [68631-112](#) [68645-018](#) [68648-049](#) [699319-000](#)
[70.362.1628.0](#) [70-4210](#) [70-4226B](#) [70-4853B](#) [707-5020](#) [707-5028](#) [71.350.2428.0](#) [71961-016LF](#) [733-134](#) [754199-000](#) [760-3052](#) [787-8014-00](#)
[FCN-367T-T012/H](#) [80.063.4001.1](#) [800-90-001-10-001000](#) [800-90-010-10-002000](#) [801-43-002-10-013000](#) [801-43-006-10-002000](#)
[803-41-018-10-001000](#)