

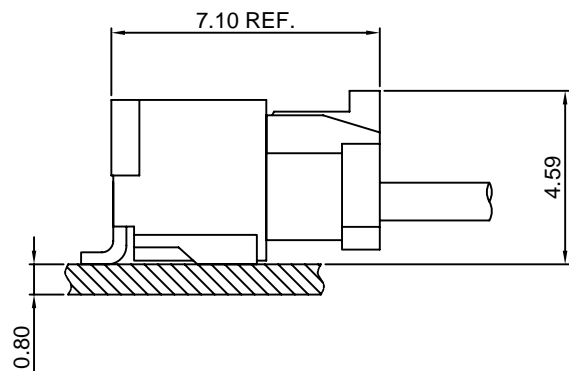
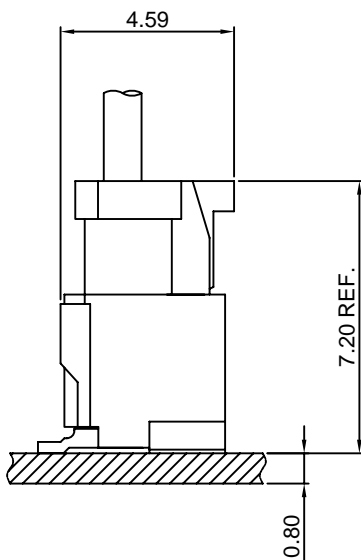
Specifications

- Current rating:1A AC,DC
- Voltage rating:50V AC,DC
- Temperature range:-40°C~+105°C
- Contact resistance:30mΩMax.
- Insulation resistance:100MΩMin.
- Withstanding voltage:500V AC/minute
- *Compliant with RoHS and REACH*
- *Meet the HF/Halogen Free,need to customize*
- *Contact CJT for details*

Standards



Assembly layout

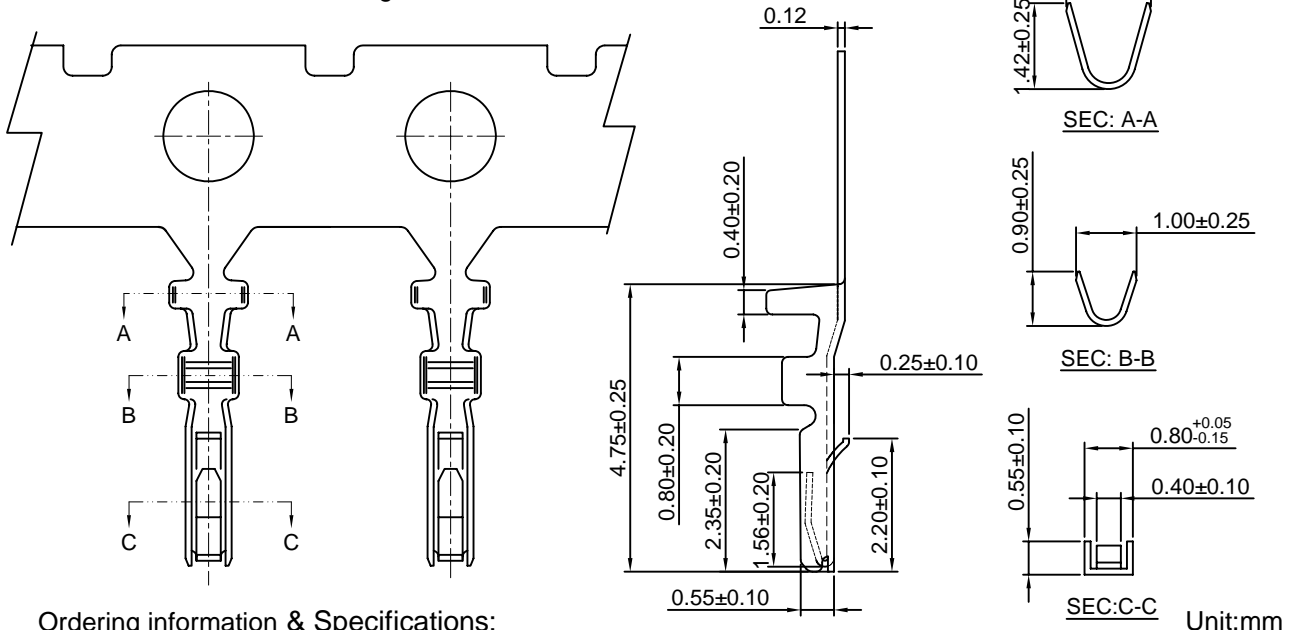


A1257-T

1.25mm pitch Crimp Terminal

Reference Informations:

*Used in CJT A1257 series Housing



Ordering information & Specifications:

| Part NO | Wire Range | Insulation O.D. | Material | Finish | Qty/reel |
|----------|------------|-----------------|-----------------|------------------|------------|
| A1257-TP | AWG#28-#32 | 1.00mm(max) | Phosphor Bronze | Tin over Nickel | 20,000 PCS |
| A1257-GP | AWG#28-#32 | 1.00mm(max) | Phosphor Bronze | Gold over Nickel | 20,000 PCS |

Optional Gold plating available but MOQ requested

A1257H

1.25mm pitch Housing

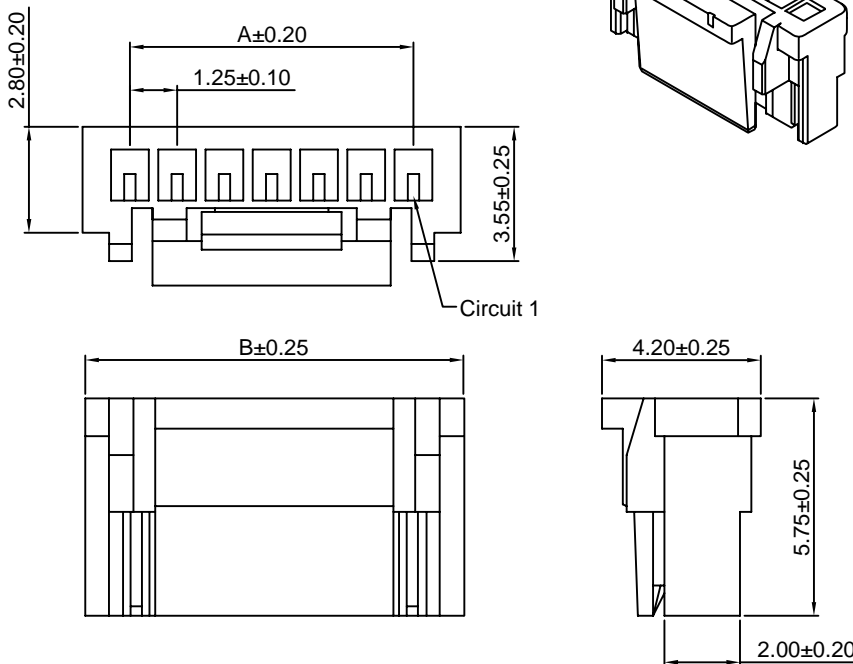
Reference Informations:

*Material:Nylon 66,UL94V-0

*Suitable CJT A1257 series Terminal

*Mates with CJT A1257 series Wafer

*Color:White



Ordering Information & Dimensions:

| PART NO. | Dimensions | |
|------------|------------|-------|
| | A | B |
| A1257H-2P | 1.25 | 3.75 |
| A1257H-3P | 2.50 | 5.00 |
| A1257H-4P | 3.75 | 6.25 |
| A1257H-5P | 5.00 | 7.50 |
| A1257H-6P | 6.25 | 8.75 |
| A1257H-7P | 7.50 | 10.00 |
| A1257H-8P | 8.75 | 11.25 |
| A1257H-9P | 10.00 | 12.50 |
| A1257H-10P | 11.25 | 13.75 |
| A1257H-11P | 12.50 | 15.00 |
| A1257H-12P | 13.75 | 16.25 |
| A1257H-13P | 15.00 | 17.50 |
| A1257H-14P | 16.25 | 18.75 |
| A1257H-15P | 17.50 | 20.00 |

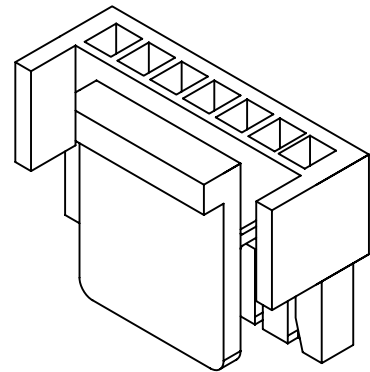
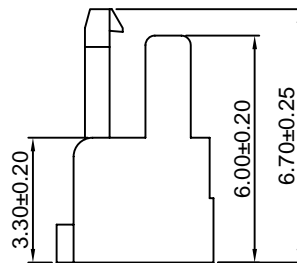
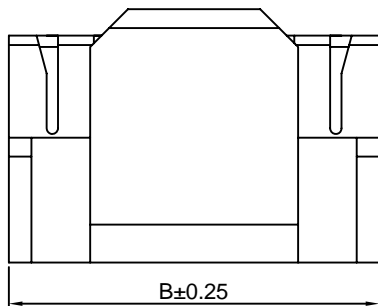
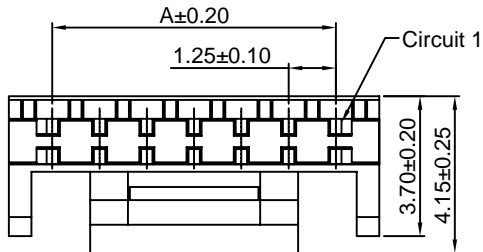
Unit: mm

A1257HA

1.25mm pitch Housing

Reference Informations:

- *Material:PBT,UL94V-0
- *Suitable CJT A1257 series Terminal
- *Mates with CJT A1257 series Wafer
- *Color:White



Ordering Information & Dimensions:

| PART NO. | Dimensions | |
|-------------|------------|-------|
| | A | B |
| A1257HA-4P | 3.75 | 6.05 |
| A1257HA-5P | 5.00 | 7.30 |
| A1257HA-7P | 7.50 | 9.80 |
| A1257HA-8P | 8.75 | 11.05 |
| A1257HA-10P | 11.25 | 13.56 |

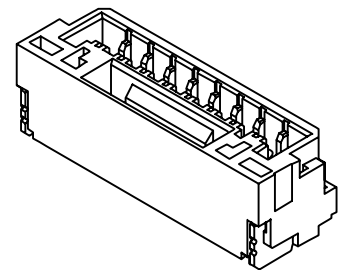
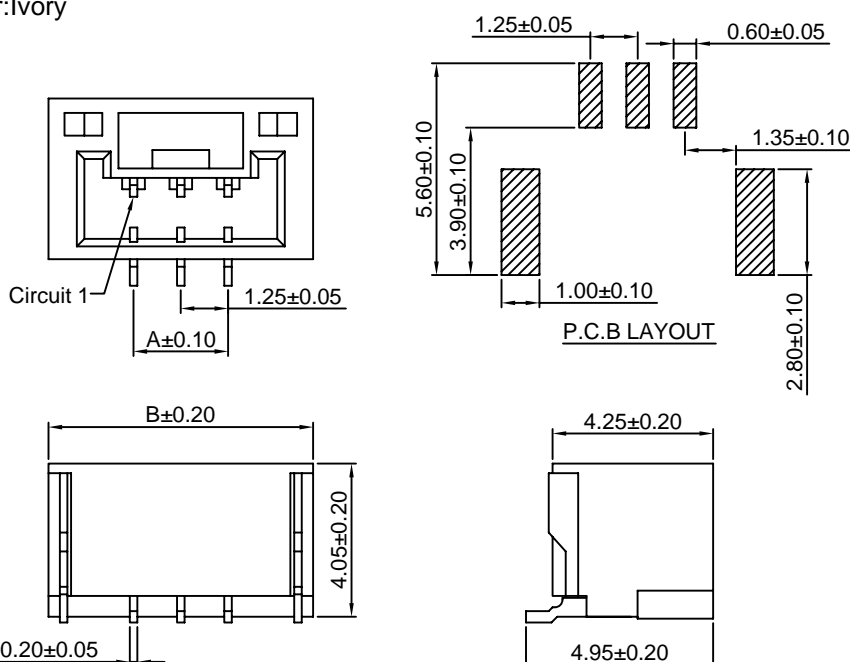
Unit: mm

A1257WV-S

1.25mm pitch 180° Wafer-SMT TYPE

Reference Informations:

- *Material:Pin:Brass/Tin over Nickel
Insulator:Nylon 9T,UL94V-0
- *Mates with CJT A1257 series Housing
- *Color:Ivory



Ordering Information & Dimensions:

| PART NO. | Dimensions | |
|---------------|------------|-------|
| | A | B |
| A1257WV-S-2P | 1.25 | 5.75 |
| A1257WV-S-3P | 2.50 | 7.00 |
| A1257WV-S-4P | 3.75 | 8.25 |
| A1257WV-S-5P | 5.00 | 9.50 |
| A1257WV-S-6P | 6.25 | 10.75 |
| A1257WV-S-7P | 7.50 | 12.00 |
| A1257WV-S-8P | 8.75 | 13.25 |
| A1257WV-S-9P | 10.00 | 14.50 |
| A1257WV-S-10P | 11.25 | 15.75 |
| A1257WV-S-11P | 12.50 | 17.00 |
| A1257WV-S-12P | 13.75 | 18.25 |
| A1257WV-S-13P | 15.00 | 19.50 |
| A1257WV-S-14P | 16.25 | 20.75 |
| A1257WV-S-15P | 17.50 | 22.00 |

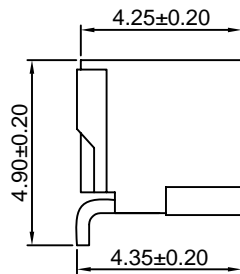
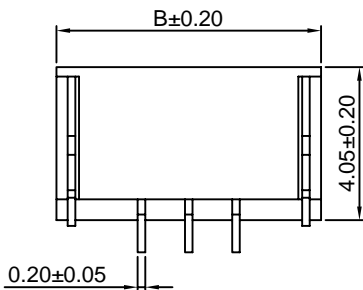
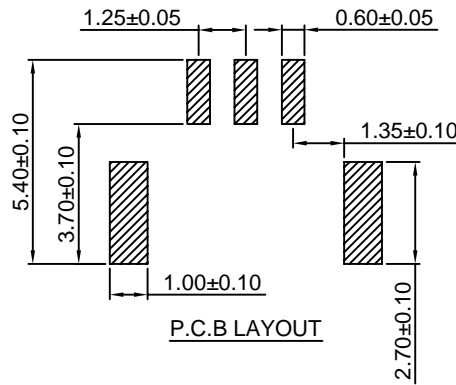
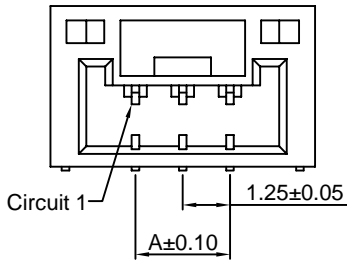
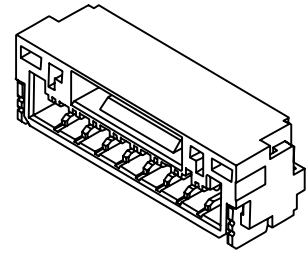
Unit: mm

A1257WR-S

1.25mm pitch 90° Wafer-SMT TYPE

Reference Informations:

- *Material: Pin: Brass/Tin over Nickel
Insulator: Nylon 9T, UL94V-0
- *Mates with CJT A1257 series Housing
- *Color: Ivory



Ordering Information & Dimensions:

| PART NO. | Dimensions | |
|---------------|------------|-------|
| | A | B |
| A1257WR-S-2P | 1.25 | 5.75 |
| A1257WR-S-3P | 2.50 | 7.00 |
| A1257WR-S-4P | 3.75 | 8.25 |
| A1257WR-S-5P | 5.00 | 9.50 |
| A1257WR-S-6P | 6.25 | 10.75 |
| A1257WR-S-7P | 7.50 | 12.00 |
| A1257WR-S-8P | 8.75 | 13.25 |
| A1257WR-S-9P | 10.00 | 14.50 |
| A1257WR-S-10P | 11.25 | 15.75 |
| A1257WR-S-11P | 12.50 | 17.00 |
| A1257WR-S-12P | 13.75 | 18.25 |
| A1257WR-S-13P | 15.00 | 19.50 |
| A1257WR-S-14P | 16.25 | 20.75 |
| A1257WR-S-15P | 17.50 | 22.00 |

Unit: mm

X-ON Electronics

Largest Supplier of Electrical and Electronic Components

Click to view similar products for [Headers & Wire Housings](#) category:

Click to view products by [Changjiang](#) manufacturer:

Other Similar products are found below :

[57102-F02-18ULF](#) [58102-G61-06LF](#) [582553-1](#) [009176003701906](#) [0050291907](#) [02.125.8002.8](#) [609-3404](#) [61062-3](#) [622-0430](#) [622-3653LF](#)
[63453-116](#) [636-1030](#) [636-1427](#) [636-3427](#) [636-4007](#) [641938-9](#) [65495-038](#) [65692-001LF](#) [65781-018](#) [65781-047](#) [65817-010LF](#) [65817-015LF](#)
[66207-023LF](#) [67016-026LF](#) [67095-007LF](#) [68631-112](#) [68645-018](#) [68648-049](#) [699319-000](#) [M90C108951C](#) [70.362.1628.0](#) [70-4210](#) [70-4226B](#)
[70-4853B](#) [707-5020](#) [707-5028](#) [71.350.2428.0](#) [71961-016LF](#) [733-134](#) [754199-000](#) [760-3052](#) [787-8014-00](#) [FCN-367T-T012/H](#)
[80.063.4001.1](#) [800-90-001-10-001000](#) [801-43-002-10-013000](#) [801-43-006-10-002000](#) [803-41-018-10-001000](#) [803-43-014-20-001000](#)
[803-43-024-10-001000](#)