

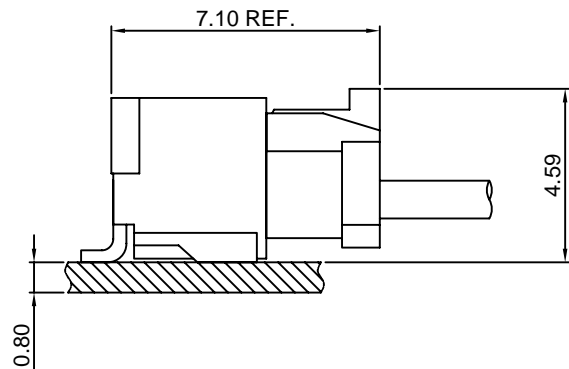
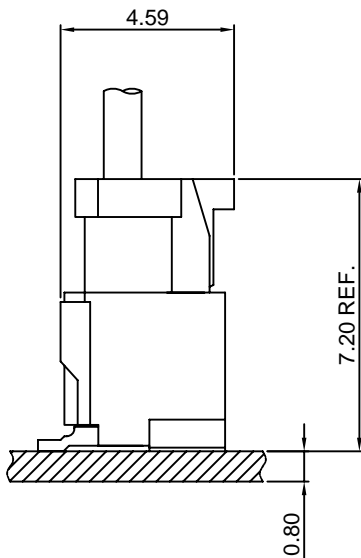
## Specifications

- Current rating:1A AC,DC
- Voltage rating:50V AC,DC
- Temperature range:-40°C~+105°C
- Contact resistance:30mΩMax.
- Insulation resistance:100MΩMin.
- Withstanding voltage:500V AC/minute
- \*Compliant with RoHS and REACH\*
- \*Meet the HF/Halogen Free,need to customize\*
- \*Contact CJT for details\*

## Standards



## Assembly layout

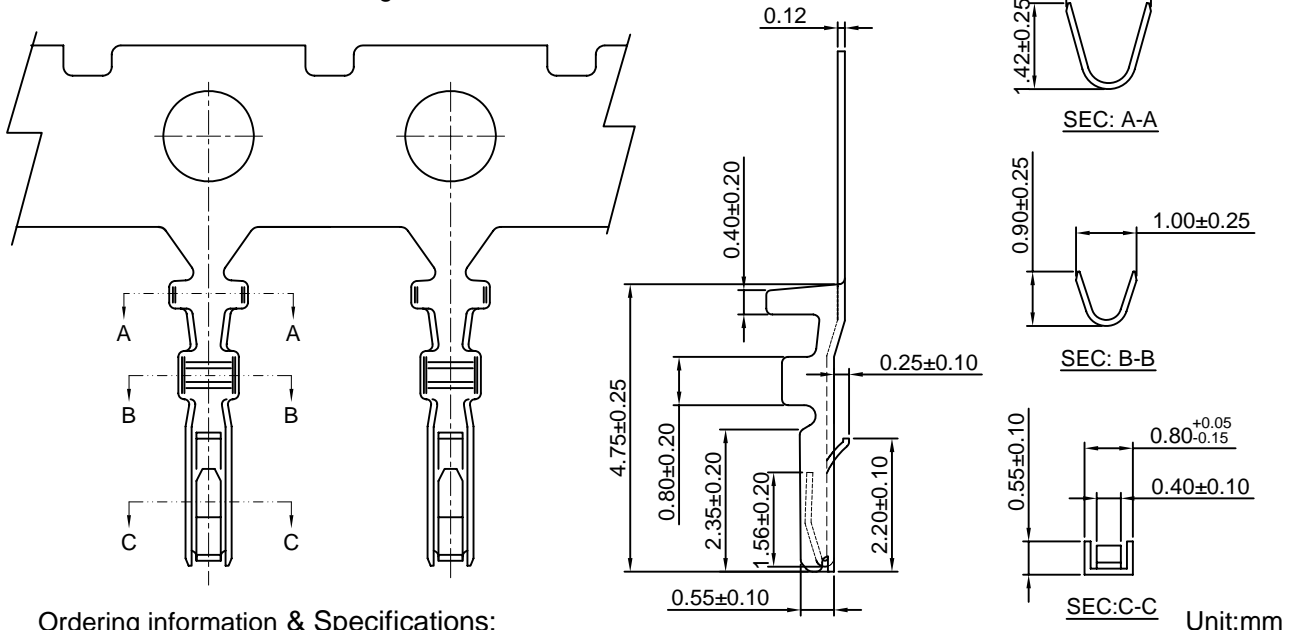


## A1257-T

1.25mm pitch Crimp Terminal

### Reference Informations:

\*Used in CJT A1257 series Housing



Ordering information & Specifications:

| Part NO  | Wire Range | Insulation O.D. | Material        | Finish           | Qty/reel   |
|----------|------------|-----------------|-----------------|------------------|------------|
| A1257-TP | AWG#28-#32 | 1.00mm(max)     | Phosphor Bronze | Tin over Nickel  | 20,000 PCS |
| A1257-GP | AWG#28-#32 | 1.00mm(max)     | Phosphor Bronze | Gold over Nickel | 20,000 PCS |

Optional Gold plating available but MOQ requested

## A1257H

1.25mm pitch Housing

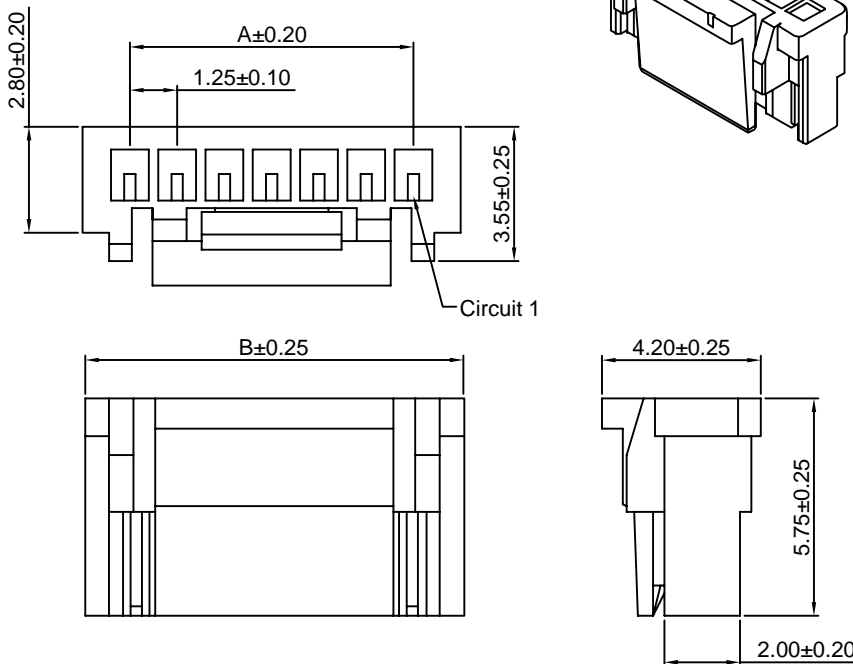
### Reference Informations:

\*Material:Nylon 66,UL94V-0

\*Suitable CJT A1257 series Terminal

\*Mates with CJT A1257 series Wafer

\*Color:White



Ordering Information & Dimensions:

| PART NO.   | Dimensions |       |
|------------|------------|-------|
|            | A          | B     |
| A1257H-2P  | 1.25       | 3.75  |
| A1257H-3P  | 2.50       | 5.00  |
| A1257H-4P  | 3.75       | 6.25  |
| A1257H-5P  | 5.00       | 7.50  |
| A1257H-6P  | 6.25       | 8.75  |
| A1257H-7P  | 7.50       | 10.00 |
| A1257H-8P  | 8.75       | 11.25 |
| A1257H-9P  | 10.00      | 12.50 |
| A1257H-10P | 11.25      | 13.75 |
| A1257H-11P | 12.50      | 15.00 |
| A1257H-12P | 13.75      | 16.25 |
| A1257H-13P | 15.00      | 17.50 |
| A1257H-14P | 16.25      | 18.75 |
| A1257H-15P | 17.50      | 20.00 |

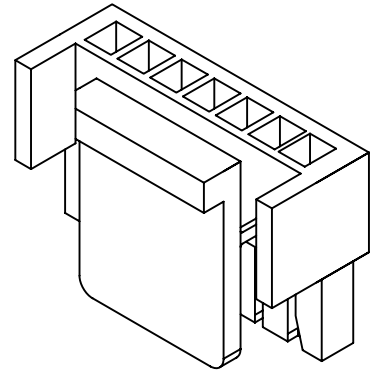
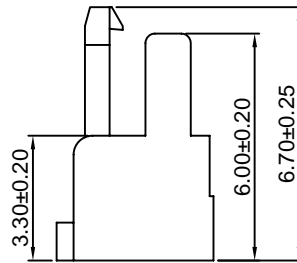
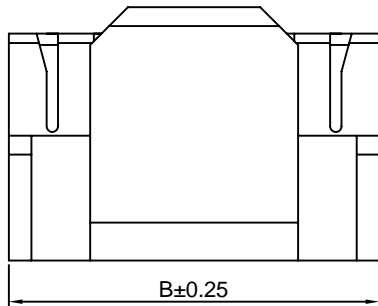
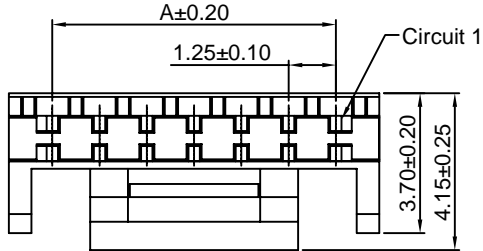
Unit: mm

## A1257HA

1.25mm pitch Housing

### Reference Informations:

- \*Material:PBT,UL94V-0
- \*Suitable CJT A1257 series Terminal
- \*Mates with CJT A1257 series Wafer
- \*Color:White



### Ordering Information & Dimensions:

| PART NO.    | Dimensions |       |
|-------------|------------|-------|
|             | A          | B     |
| A1257HA-4P  | 3.75       | 6.05  |
| A1257HA-5P  | 5.00       | 7.30  |
| A1257HA-7P  | 7.50       | 9.80  |
| A1257HA-8P  | 8.75       | 11.05 |
| A1257HA-10P | 11.25      | 13.56 |

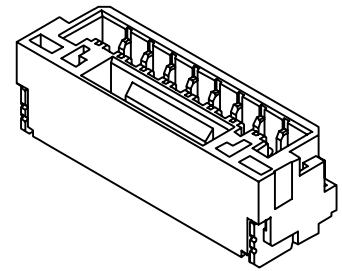
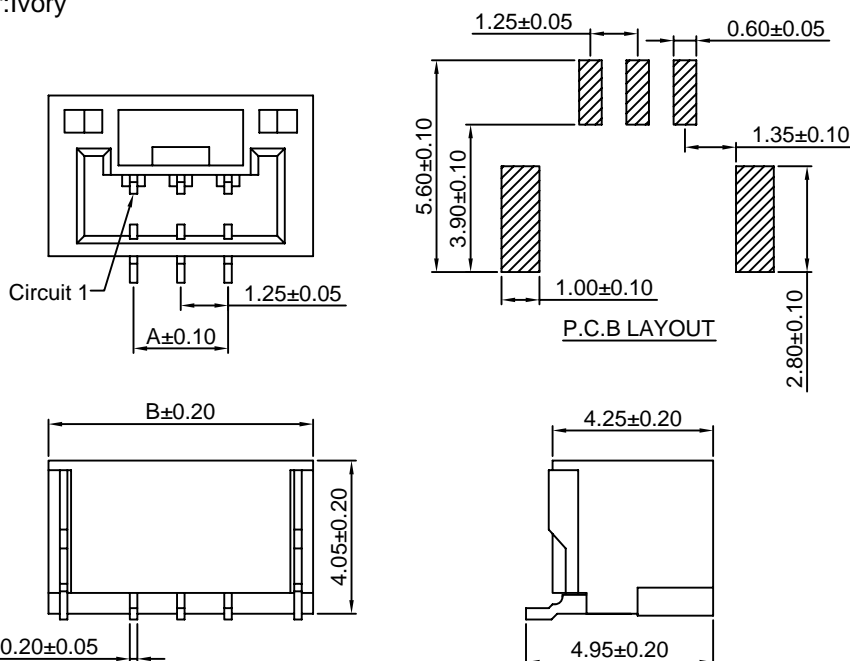
Unit: mm

## A1257WV-S

1.25mm pitch 180° Wafer-SMT TYPE

### Reference Informations:

- \*Material:Pin:Brass/Tin over Nickel  
Insulator:Nylon 9T,UL94V-0
- \*Mates with CJT A1257 series Housing
- \*Color:Ivory



### Ordering Information & Dimensions:

| PART NO.      | Dimensions |       |
|---------------|------------|-------|
|               | A          | B     |
| A1257WV-S-2P  | 1.25       | 5.75  |
| A1257WV-S-3P  | 2.50       | 7.00  |
| A1257WV-S-4P  | 3.75       | 8.25  |
| A1257WV-S-5P  | 5.00       | 9.50  |
| A1257WV-S-6P  | 6.25       | 10.75 |
| A1257WV-S-7P  | 7.50       | 12.00 |
| A1257WV-S-8P  | 8.75       | 13.25 |
| A1257WV-S-9P  | 10.00      | 14.50 |
| A1257WV-S-10P | 11.25      | 15.75 |
| A1257WV-S-11P | 12.50      | 17.00 |
| A1257WV-S-12P | 13.75      | 18.25 |
| A1257WV-S-13P | 15.00      | 19.50 |
| A1257WV-S-14P | 16.25      | 20.75 |
| A1257WV-S-15P | 17.50      | 22.00 |

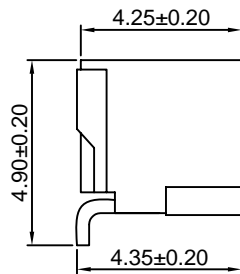
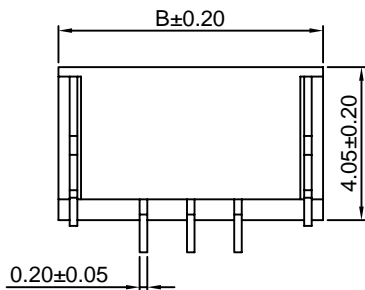
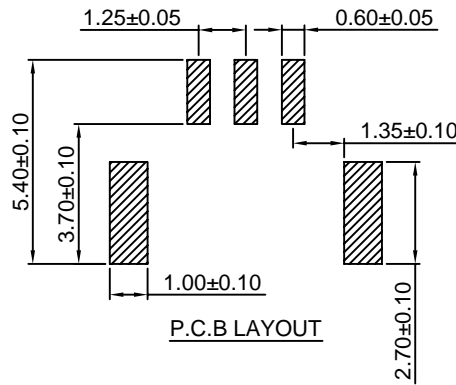
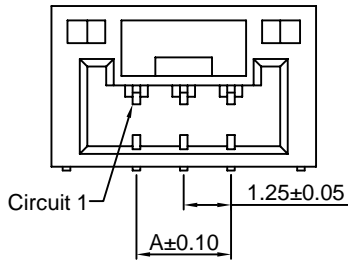
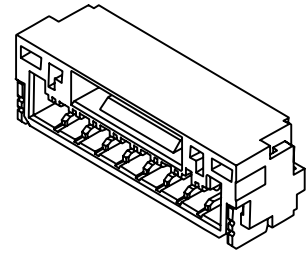
Unit: mm

## A1257WR-S

1.25mm pitch 90° Wafer-SMT TYPE

### Reference Informations:

- \*Material: Pin: Brass/Tin over Nickel  
Insulator: Nylon 9T, UL94V-0
- \*Mates with CJT A1257 series Housing
- \*Color: Ivory



### Ordering Information & Dimensions:

| PART NO.      | Dimensions |       |
|---------------|------------|-------|
|               | A          | B     |
| A1257WR-S-2P  | 1.25       | 5.75  |
| A1257WR-S-3P  | 2.50       | 7.00  |
| A1257WR-S-4P  | 3.75       | 8.25  |
| A1257WR-S-5P  | 5.00       | 9.50  |
| A1257WR-S-6P  | 6.25       | 10.75 |
| A1257WR-S-7P  | 7.50       | 12.00 |
| A1257WR-S-8P  | 8.75       | 13.25 |
| A1257WR-S-9P  | 10.00      | 14.50 |
| A1257WR-S-10P | 11.25      | 15.75 |
| A1257WR-S-11P | 12.50      | 17.00 |
| A1257WR-S-12P | 13.75      | 18.25 |
| A1257WR-S-13P | 15.00      | 19.50 |
| A1257WR-S-14P | 16.25      | 20.75 |
| A1257WR-S-15P | 17.50      | 22.00 |

Unit: mm

## X-ON Electronics

Largest Supplier of Electrical and Electronic Components

*Click to view similar products for [Headers & Wire Housings](#) category:*

*Click to view products by [Changjiang](#) manufacturer:*

Other Similar products are found below :

[57102-F02-18ULF](#) [58102-G61-06LF](#) [0009485154](#) [009176003701906](#) [0050291907](#) [00-9021-0611-00-339](#) [02.125.8002.8](#) [609-3404](#) [61062-3](#)  
[622-0430](#) [622-3653LF](#) [63453-116](#) [636-1030](#) [636-1427](#) [636-3427](#) [636-4007](#) [641938-9](#) [644827-2](#) [65495-038](#) [65692-001LF](#) [65781-018](#)  
[65781-047](#) [65817-010LF](#) [65817-015LF](#) [66207-023LF](#) [67016-026LF](#) [67095-007LF](#) [68631-112](#) [68645-018](#) [68648-049](#) [699319-000](#)  
[70.362.1628.0](#) [70-4210](#) [70-4226B](#) [70-4853B](#) [707-5020](#) [707-5028](#) [71.350.2428.0](#) [71961-016LF](#) [733-134](#) [754199-000](#) [760-3052](#) [787-8014-00](#)  
[FCN-367T-T012/H](#) [80.063.4001.1](#) [800-90-001-10-001000](#) [800-90-010-10-002000](#) [801-43-002-10-013000](#) [801-43-006-10-002000](#)  
[803-41-018-10-001000](#)