

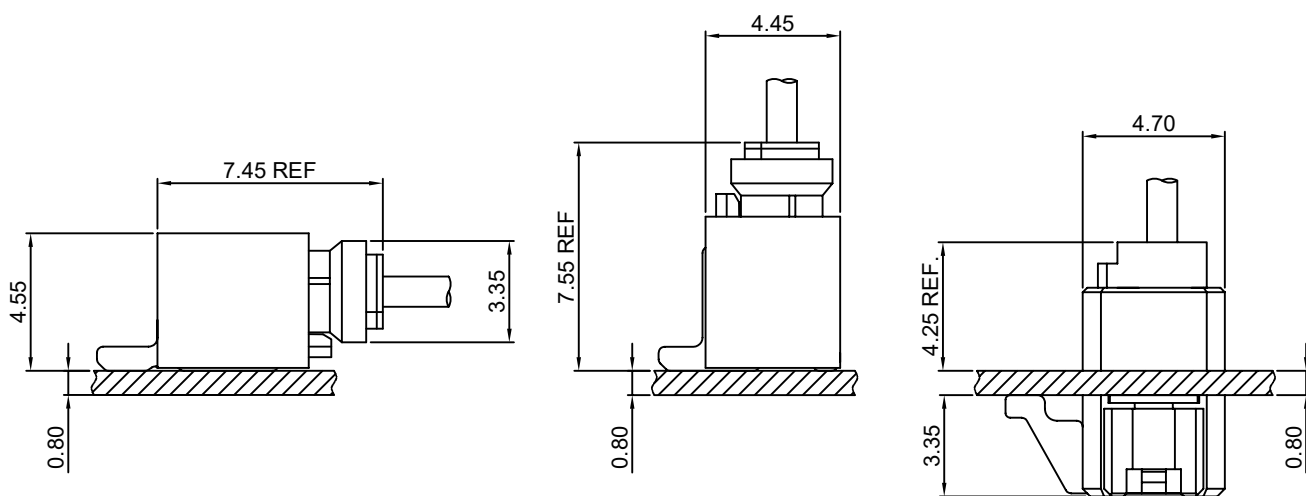
## Specifications

- Current rating:3A AC,DC
- Voltage rating:250V AC,DC
- Temperature range:-40°C~+105°C
- Contact resistance:20mΩMax.
- Insulation resistance:1000MΩMin.
- Withstanding voltage:500V AC/minute
- \*Compliant with RoHS and REACH\*
- \*Meet the HF/Halogen Free,need to customize\*
- \*Contact CJT for details\*

## Standards



## Assembly layout

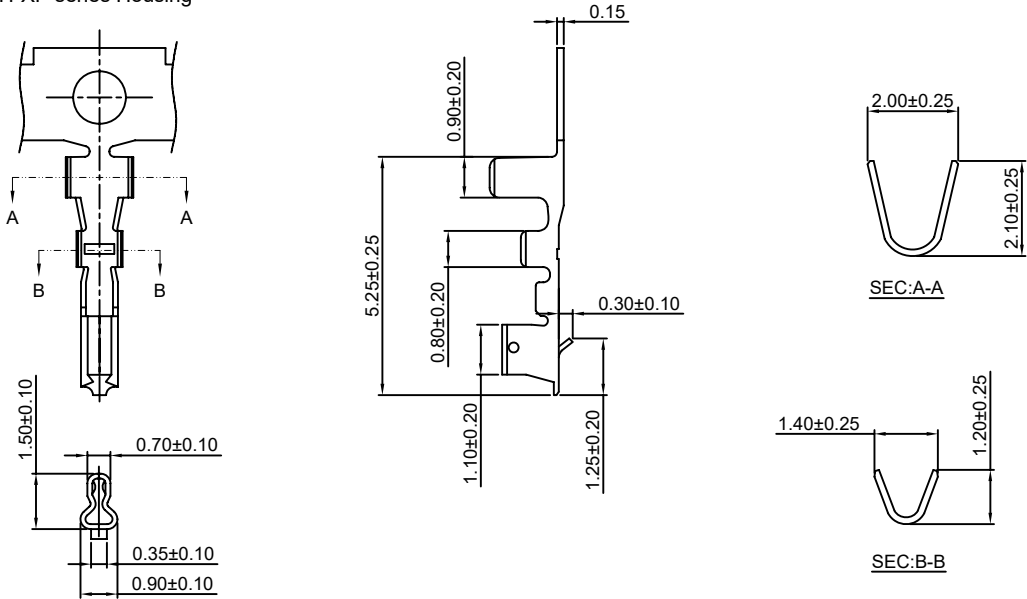


**A1502-T**

1.50mm pitch Crimp Terminal

**Reference Informations:**

\*Used in CJT A1502H-XP series Housing



Ordering information & Specifications:

Unit:mm

| Part NO. | Wire Range | Insulation O.D. | Material        | Finish           | Qty/reel   |
|----------|------------|-----------------|-----------------|------------------|------------|
| A1502-TP | AWG#24-#28 | 1.10mm(max)     | Phosphor Bronze | Tin over Nickel  | 10,000 PCS |
| A1502-GP | AWG#24-#28 | 1.10mm(max)     | Phosphor Bronze | Gold over Nickel | 10,000 PCS |

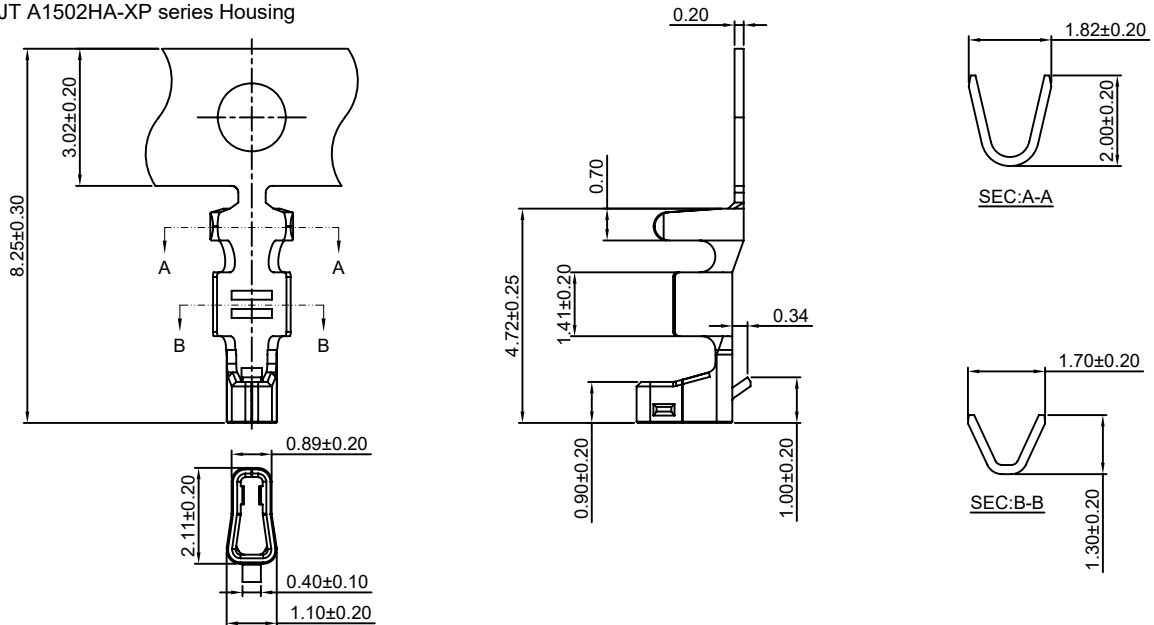
Optional Gold plating available but MOQ requested

**A1502-T-A**

1.50mm pitch Crimp Terminal

**Reference Informations:**

\*Used in CJT A1502HA-XP series Housing



Ordering information & Specifications:

Unit:mm

| Part NO.   | Wire Range | Insulation O.D. | Material        | Finish           | Qty/reel   |
|------------|------------|-----------------|-----------------|------------------|------------|
| A1502-TP-A | AWG#24-#28 | 1.10mm(max)     | Phosphor Bronze | Tin over Nickel  | 10,000 PCS |
| A1502-GP-A | AWG#24-#28 | 1.10mm(max)     | Phosphor Bronze | Gold over Nickel | 10,000 PCS |

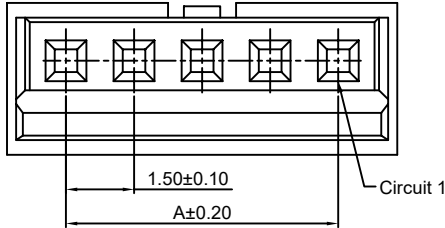
Optional Gold plating available but MOQ requested

### A1502H-XP

1.50mm pitch Housing

**Reference Informations:**

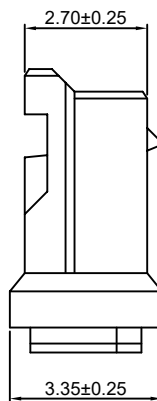
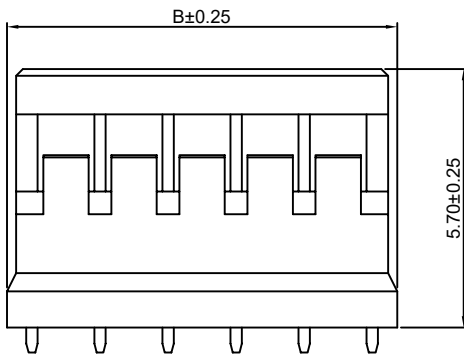
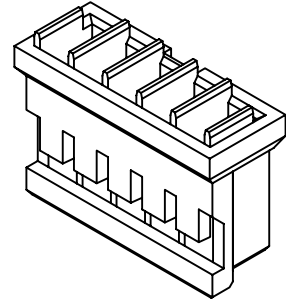
- \*Material: Nylon 66, UL94V-0
- \*Suitable CJT A1502-T series Terminal
- \*Mates with CJT A1502WV, WR, WV-S, WR-S, WVA, WRA-XP series Wafer
- \*Color: White



**Ordering Information:**

A1502H-XP - \*\* - \*\*\*  
1 2 3

1. Part No.
2. Color:  
(blank) : White  
BK : Black
3. Material:  
(Blank): Nylon 66, UL94V-0  
GWT : Nylon 66, UL94V-0 GWT 750 °C



**Ordering Information & Dimensions:**

| PART NO. | Dimensions |       |
|----------|------------|-------|
|          | A          | B     |
| 2P       | 1.50       | 4.10  |
| 3P       | 3.00       | 5.60  |
| 4P       | 4.50       | 7.10  |
| 5P       | 6.00       | 8.60  |
| 6P       | 7.50       | 10.10 |
| 7P       | 9.00       | 11.60 |
| 8P       | 10.50      | 13.10 |
| 9P       | 12.00      | 14.60 |
| 10P      | 13.50      | 16.10 |
| 11P      | 15.00      | 17.60 |
| 12P      | 16.50      | 19.10 |
| 13P      | 18.00      | 20.60 |
| 14P      | 19.50      | 22.10 |
| 15P      | 21.00      | 23.60 |

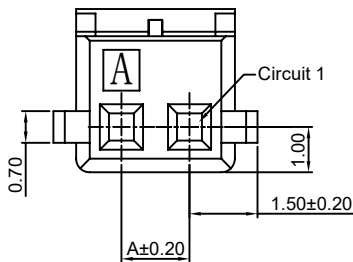
Unit: mm

### A1502HA-XP

1.50mm pitch Housing

**Reference Informations:**

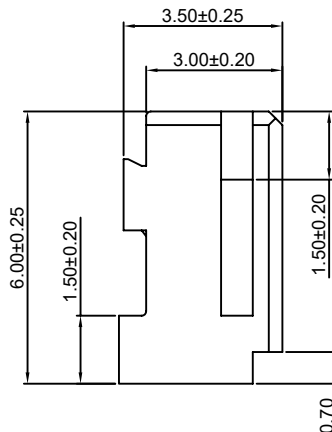
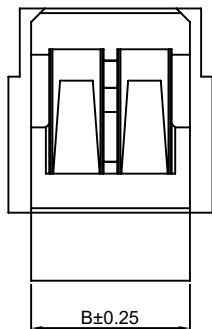
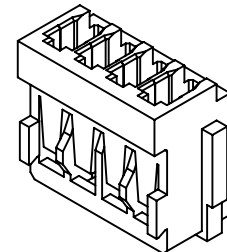
- \*Material: Nylon 66, UL94V-0
- \*Suitable CJT A1502-T-A series Terminal
- \*Mates with CJT A1502WVA-IT-S-XP series Wafer
- \*Color: White



**Ordering Information:**

A1502HA-XP - \*\* - \*\*\*  
1 2 3

1. Part No.
2. Color:  
(blank) : White  
BL : Blue
3. Material:  
(Blank): Nylon 66, UL94V-0  
GWT : Nylon 66, UL94V-0 GWT 750 °C



**Ordering Information & Dimensions:**

| PART NO. | Dimensions |       |
|----------|------------|-------|
|          | A          | B     |
| 2P       | 1.50       | 3.50  |
| 3P       | 3.00       | 5.00  |
| 4P       | 4.50       | 6.50  |
| 5P       | 6.00       | 8.00  |
| 6P       | 7.50       | 9.50  |
| 7P       | 9.00       | 11.00 |
| 8P       | 10.50      | 12.50 |
| 9P       | 12.00      | 14.00 |
| 10P      | 13.50      | 15.50 |
| 11P      | 15.00      | 17.00 |
| 12P      | 16.50      | 18.50 |
| 13P      | 18.00      | 20.00 |
| 14P      | 19.50      | 21.50 |
| 15P      | 21.00      | 23.00 |
| 16P      | 22.50      | 24.50 |
| 17P      | 24.00      | 26.00 |
| 18P      | 25.50      | 27.50 |
| 19P      | 27.00      | 29.00 |
| 20P      | 28.50      | 30.50 |

Unit: mm

### A1502WV-XP

1.50mm pitch 180° Wafer

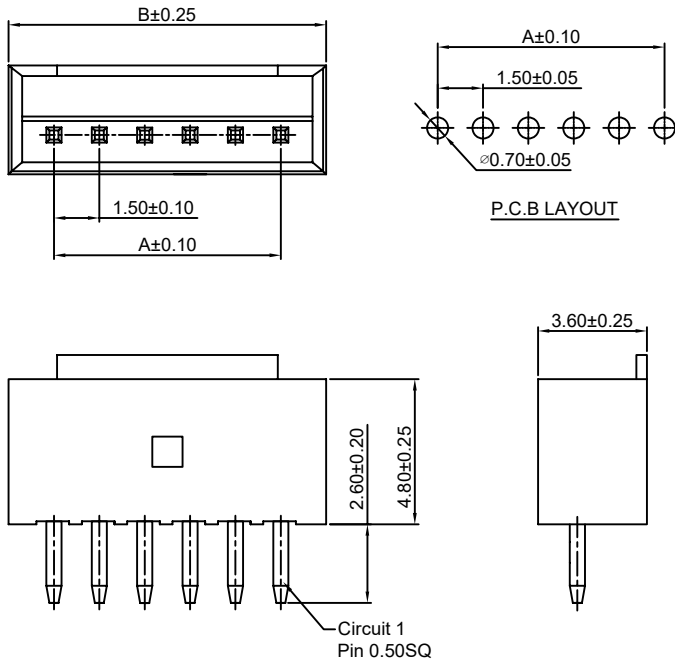
**Reference Informations:**

- \*Material:Pin:Brass/Tin over Nickel  
Insulator:Nylon 66,UL94V-0
- \*Mates with CJT A1502H-XP series Housing
- \*Color:White

**Ordering Information:**

A1502WV-XP - \*\*\* - \*\* - \*\*  
1 2 3 4

- 1.Part No.
- 2.Material:  
(Blank):Nylon 66,UL94V-0  
GWT:Nylon 66,UL94V-0 GWT 750 °C
- 3.Color:  
(blank):White  
BK:Black
- 4.Finish:  
(Blank):Tin over Nickel  
G:Gold over Nickel



**Ordering Information & Dimensions:**

| PART NO. | Dimensions |       |
|----------|------------|-------|
|          | A          | B     |
| 2P       | 1.50       | 4.50  |
| 3P       | 3.00       | 6.00  |
| 4P       | 4.50       | 7.50  |
| 5P       | 6.00       | 9.00  |
| 6P       | 7.50       | 10.50 |
| 7P       | 9.00       | 12.00 |
| 8P       | 10.50      | 13.50 |
| 9P       | 12.00      | 15.00 |
| 10P      | 13.50      | 16.50 |
| 11P      | 15.00      | 18.00 |
| 12P      | 16.50      | 19.50 |
| 13P      | 18.00      | 21.00 |
| 14P      | 19.50      | 22.50 |
| 15P      | 21.00      | 24.00 |

Unit: mm

### A1502WR-XP

1.50mm pitch 90° Wafer

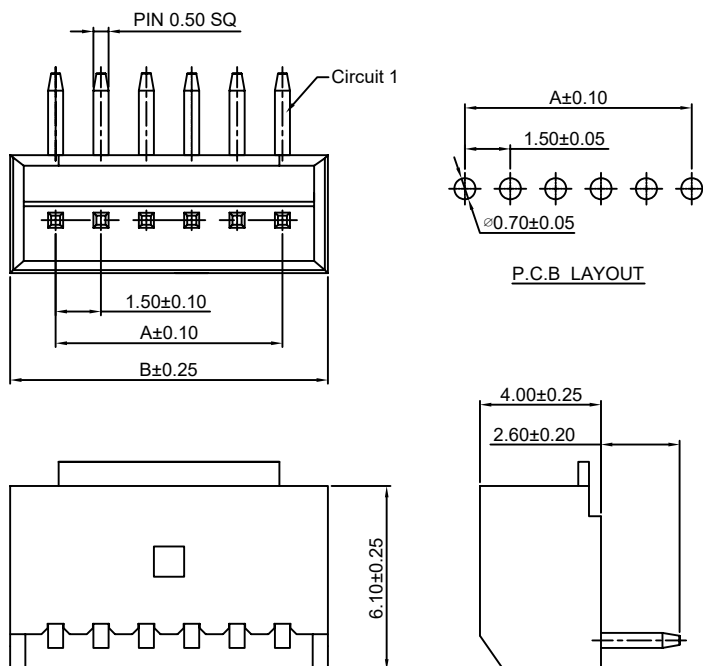
**Reference Informations:**

- \*Material:Pin:Brass/Tin over Nickel  
Insulator:Nylon 66,UL94V-0
- \*Mates with CJT A1502H-XP series Housing
- \*Color:White

**Ordering Information:**

A1502WR-XP - \*\*\* - \*\* - \*\*  
1 2 3 4

- 1.Part No.
- 2.Material:  
(Blank):Nylon 66,UL94V-0  
GWT:Nylon 66,UL94V-0 GWT 750 °C
- 3.Color:  
(blank):White  
BK:Black
- 4.Finish:  
(Blank):Tin over Nickel  
G:Gold over Nickel



**Ordering Information & Dimensions:**

| PART NO. | Dimensions |       |
|----------|------------|-------|
|          | A          | B     |
| 2P       | 1.50       | 4.50  |
| 3P       | 3.00       | 6.00  |
| 4P       | 4.50       | 7.50  |
| 5P       | 6.00       | 9.00  |
| 6P       | 7.50       | 10.50 |
| 7P       | 9.00       | 12.00 |
| 8P       | 10.50      | 13.50 |
| 9P       | 12.00      | 15.00 |
| 10P      | 13.50      | 16.50 |
| 11P      | 15.00      | 18.00 |
| 12P      | 16.50      | 19.50 |
| 13P      | 18.00      | 21.00 |
| 14P      | 19.50      | 22.50 |
| 15P      | 21.00      | 24.00 |

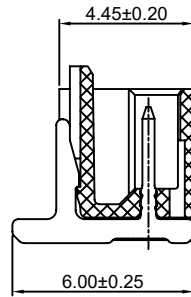
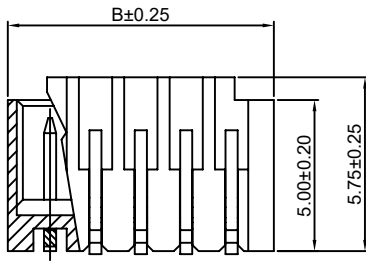
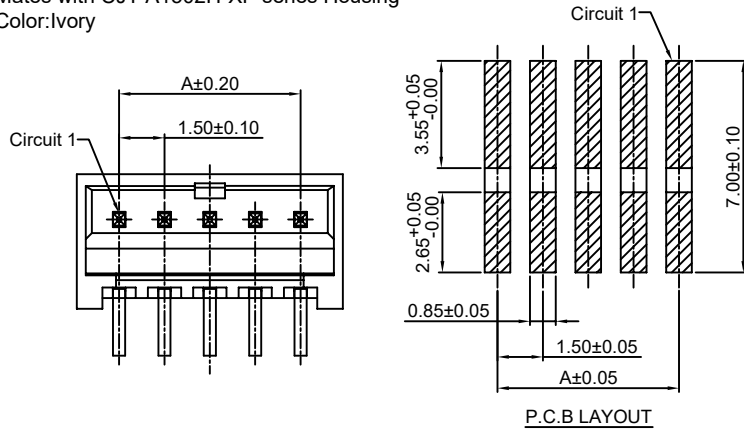
Unit: mm

### A1502WV-S-XP

1.50mm pitch 180° Wafer-SMT TYPE

**Reference Informations:**

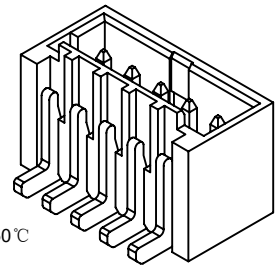
- \*Material:Pin:Brass/Tin over Nickel  
Insulator:Nylon 6T,UL94V-0
- \*Mates with CJT A1502H-XP series Housing
- \*Color:Ivory



**Ordering Information:**

A1502WV-S-XP - <sup>\*\*\*</sup>/<sub>2</sub> - <sup>\*\*</sup>/<sub>3</sub> - <sup>\*\*</sup>/<sub>4</sub>

- 1.Part No.
- 2.Material:  
(Blank):Nylon 66,UL94V-0  
GWT:Nylon 66,UL94V-0,GWT 750°C
- 3.Color:  
(blank):White  
BK:Black
- 4.Finish:  
(Blank):Tin over Nickel  
G:Gold over Nickel



**Ordering Information & Dimensions:**

| PART NO. | Dimensions |       |
|----------|------------|-------|
|          | A          | B     |
| 2P       | 1.50       | 4.30  |
| 3P       | 3.00       | 5.80  |
| 4P       | 4.50       | 7.30  |
| 5P       | 6.00       | 8.80  |
| 6P       | 7.50       | 10.30 |
| 7P       | 9.00       | 11.80 |
| 8P       | 10.50      | 13.30 |
| 9P       | 12.00      | 14.80 |
| 10P      | 13.50      | 16.30 |
| 11P      | 15.00      | 17.80 |
| 12P      | 16.50      | 19.30 |
| 13P      | 18.00      | 20.80 |
| 14P      | 19.50      | 22.30 |
| 15P      | 21.00      | 23.80 |

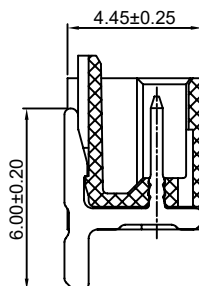
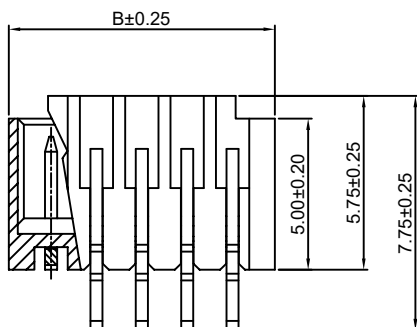
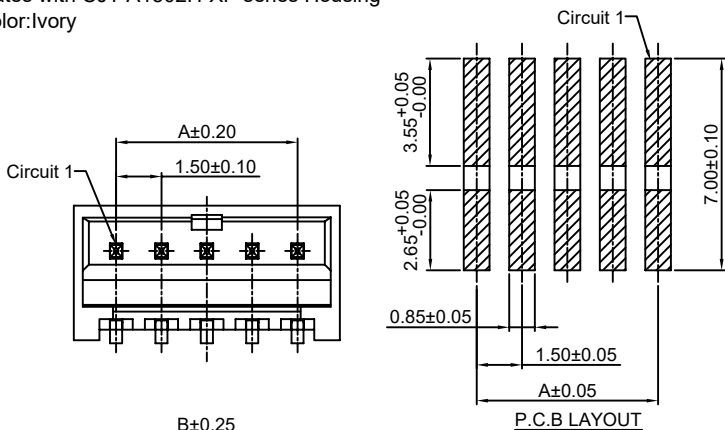
Unit: mm

### A1502WR-S-XP

1.50mm pitch 90° Wafer-SMT TYPE

**Reference Informations:**

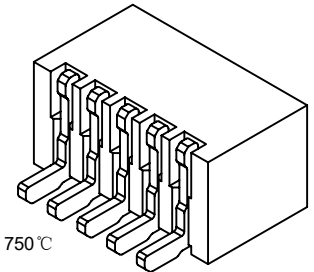
- \*Material:Pin:Brass/Tin over Nickel  
Insulator:Nylon 6T,UL94V-0
- \*Mates with CJT A1502H-XP series Housing
- \*Color:Ivory



**Ordering Information:**

A1502WR-S-XP - <sup>\*\*\*</sup>/<sub>2</sub> - <sup>\*\*</sup>/<sub>3</sub> - <sup>\*\*</sup>/<sub>4</sub>

- 1.Part No.
- 2.Material:  
(Blank):Nylon 66,UL94V-0  
GWT:Nylon 66,UL94V-0,GWT 750°C
- 3.Color:  
(blank):White  
BK:Black
- 4.Finish:  
(Blank):Tin over Nickel  
G:Gold over Nickel



**Ordering Information & Dimensions:**

| PART NO. | Dimensions |       |
|----------|------------|-------|
|          | A          | B     |
| 2P       | 1.50       | 4.30  |
| 3P       | 3.00       | 5.80  |
| 4P       | 4.50       | 7.30  |
| 5P       | 6.00       | 8.80  |
| 6P       | 7.50       | 10.30 |
| 7P       | 9.00       | 11.80 |
| 8P       | 10.50      | 13.30 |
| 9P       | 12.00      | 14.80 |
| 10P      | 13.50      | 16.30 |
| 11P      | 15.00      | 17.80 |
| 12P      | 16.50      | 19.30 |
| 13P      | 18.00      | 20.80 |
| 14P      | 19.50      | 22.30 |
| 15P      | 21.00      | 23.80 |

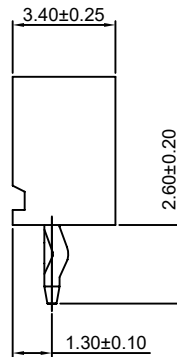
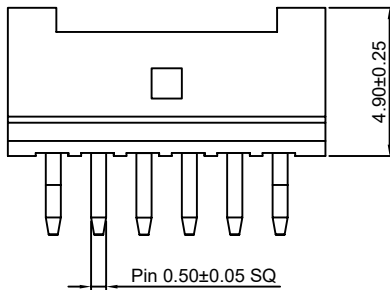
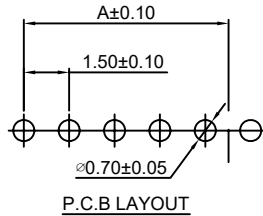
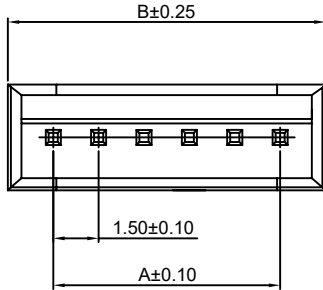
Unit: mm

### A1502WVA-XP

1.50mm pitch 180° Wafer

**Reference Informations:**

- \*Material:Pin:Brass/Tin over Nickel  
Insulator:Nylon 66,UL94V-0
- \*Mates with CJT A1502H-XP series Housing
- \*Color:Gray



**Ordering Information:**

A1502WVA-XP - \*\*\* - \*\*  
1 2 3

- 1.Part No.
- 2.Material:  
(Blank):Nylon 66,UL94V-0  
GWT:Nylon 66,UL94V-0,GWT 750 °C
- 3.Finish:  
(Blank):Tin over Nickel  
G:Gold over Nickel

**Ordering Information & Dimensions:**

| PART NO. | Dimensions |       |
|----------|------------|-------|
|          | A          | B     |
| 2P       | 1.50       | 4.50  |
| 3P       | 3.00       | 6.00  |
| 4P       | 4.50       | 7.50  |
| 5P       | 6.00       | 9.00  |
| 6P       | 7.50       | 10.50 |
| 7P       | 9.00       | 12.00 |
| 8P       | 10.50      | 13.50 |
| 9P       | 12.00      | 15.00 |
| 10P      | 13.50      | 16.50 |
| 11P      | 15.00      | 18.00 |
| 12P      | 16.50      | 19.50 |
| 13P      | 18.00      | 21.00 |
| 14P      | 19.50      | 22.50 |
| 15P      | 21.00      | 24.00 |

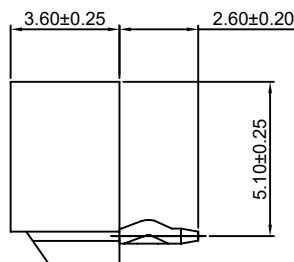
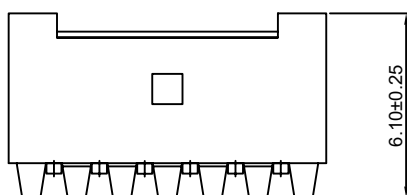
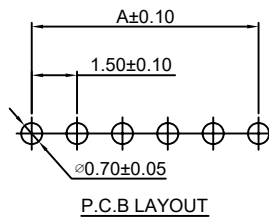
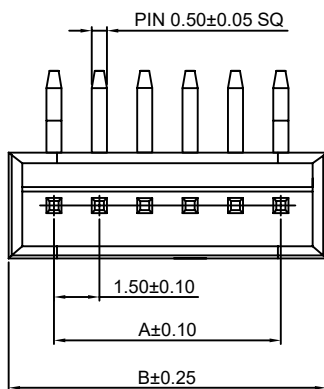
Unit: mm

### A1502WRA-XP

1.50mm pitch 90° Wafer

**Reference Informations:**

- \*Material:Pin:Brass/Tin over Nickel  
Insulator:Nylon 66,UL94V-0
- \*Mates with CJT A1502H-XP series Housing
- \*Color:Gray



**Ordering Information:**

A1502WRA-XP - \*\*\* - \*\*  
1 2 3

- 1.Part No.
- 2.Material:  
(Blank):Nylon 66,UL94V-0  
GWT :Nylon 66,UL94V-0 GWT 750 °C
- 3.Finish:  
(Blank):Tin over Nickel  
G:Gold over Nickel

**Ordering Information & Dimensions:**

| PART NO. | Dimensions |       |
|----------|------------|-------|
|          | A          | B     |
| 2P       | 1.50       | 4.50  |
| 3P       | 3.00       | 6.00  |
| 4P       | 4.50       | 7.50  |
| 5P       | 6.00       | 9.00  |
| 6P       | 7.50       | 10.50 |
| 7P       | 9.00       | 12.00 |
| 8P       | 10.50      | 13.50 |
| 9P       | 12.00      | 15.00 |
| 10P      | 13.50      | 16.50 |
| 11P      | 15.00      | 18.00 |
| 12P      | 16.50      | 19.50 |
| 13P      | 18.00      | 21.00 |
| 14P      | 19.50      | 22.50 |
| 15P      | 21.00      | 24.00 |

Unit: mm

# A1502WVA-IT-S-XP

1.50mm pitch thru board inverted SMT 180° Wafer

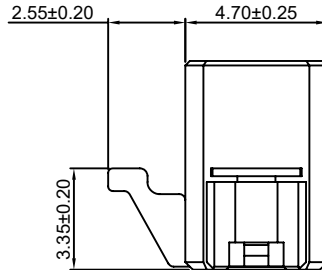
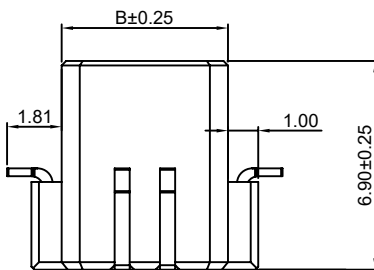
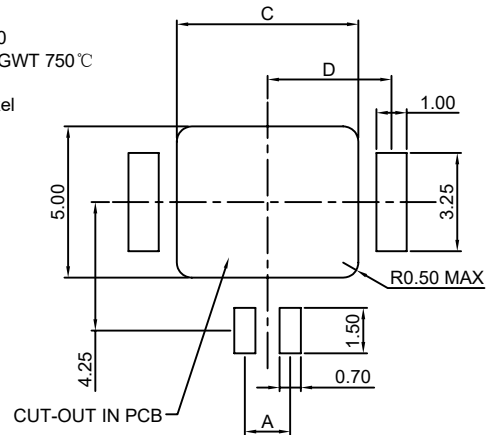
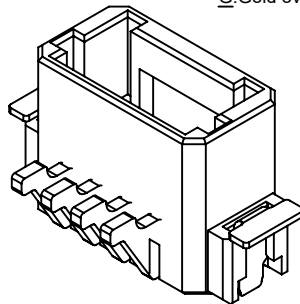
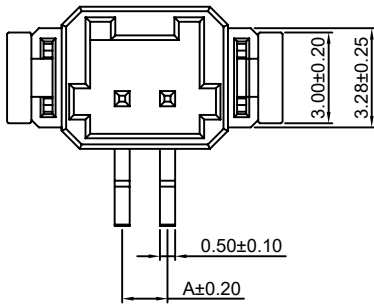
#### Reference Informations:

- \*Material:Pin:Brass/Tin over Nickel  
Solder Tabs:Brass/Tin over Nickel  
Insulator:LCP,UL94V-0
- \*Mates with CJT A1502HA-XP series Housing
- \*Color:Ivory

#### Odering Information:

A1502WVA-IT-S-XP - \*\*\* - \*\*  
1 2 3

- 1.Part No.
- 2.Material:  
(Blank):LCP,UL94V-0  
GWT:LCP,UL94V-0,GWT 750°C
- 3.Finish:  
(Blank):Tin over Nickel  
G:Gold over Nickel



#### Ordering Information & Dimensions:

| PART NO. | Dimensions |       |       |      |
|----------|------------|-------|-------|------|
|          | A          | B     | C     | D    |
| 2P       | 1.50       | 5.50  | 6.00  | 4.10 |
| 3P       | 3.00       | 7.00  | 7.50  | 4.85 |
| 4P       | 4.50       | 8.50  | 9.00  | 5.60 |
| 5P       | 6.00       | 10.00 | 10.50 | 6.35 |
| 6P       | 7.50       | 11.50 | 12.00 | 7.10 |

Unit: mm

## X-ON Electronics

Largest Supplier of Electrical and Electronic Components

*Click to view similar products for [Headers & Wire Housings](#) category:*

*Click to view products by [Changjiang](#) manufacturer:*

Other Similar products are found below :

[57102-F02-18ULF](#) [58102-G61-06LF](#) [582553-1](#) [009176003701906](#) [0050291907](#) [02.125.8002.8](#) [609-3404](#) [61062-3](#) [622-0430](#) [622-3653LF](#)  
[63453-116](#) [636-1030](#) [636-1427](#) [636-3427](#) [636-4007](#) [641938-9](#) [65495-038](#) [65692-001LF](#) [65781-018](#) [65781-047](#) [65817-010LF](#) [65817-015LF](#)  
[66207-023LF](#) [67016-026LF](#) [67095-007LF](#) [68631-112](#) [68645-018](#) [68648-049](#) [699319-000](#) [M90C108951C](#) [70.362.1628.0](#) [70-4210](#) [70-4226B](#)  
[70-4853B](#) [707-5020](#) [707-5028](#) [71.350.2428.0](#) [71961-016LF](#) [733-134](#) [754199-000](#) [760-3052](#) [787-8014-00](#) [FCN-367T-T012/H](#)  
[80.063.4001.1](#) [800-90-001-10-001000](#) [801-43-002-10-013000](#) [801-43-006-10-002000](#) [803-41-018-10-001000](#) [803-43-014-20-001000](#)  
[803-43-024-10-001000](#)