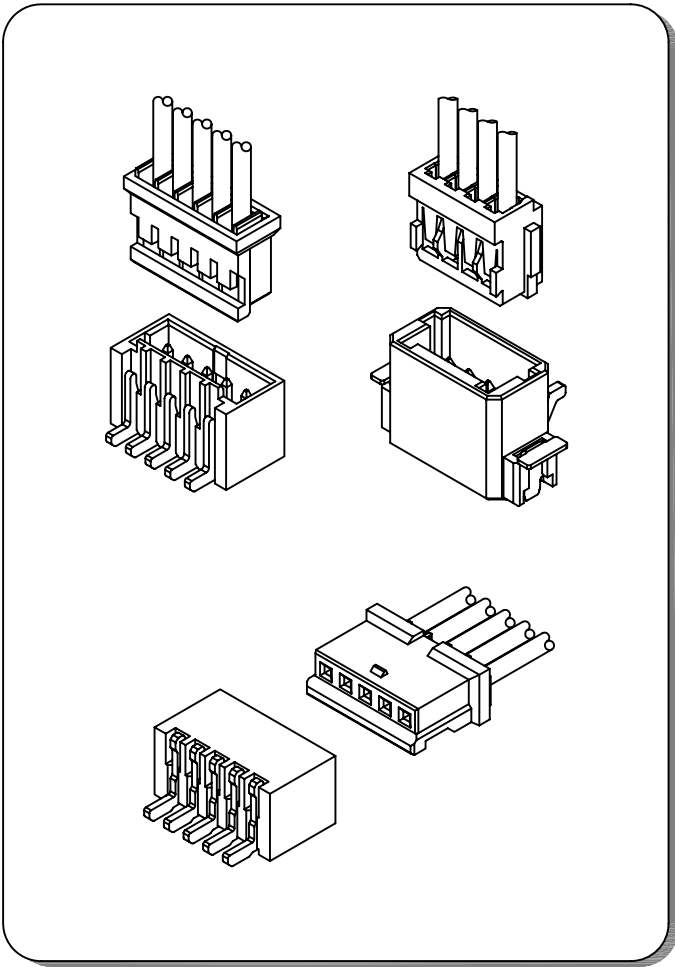


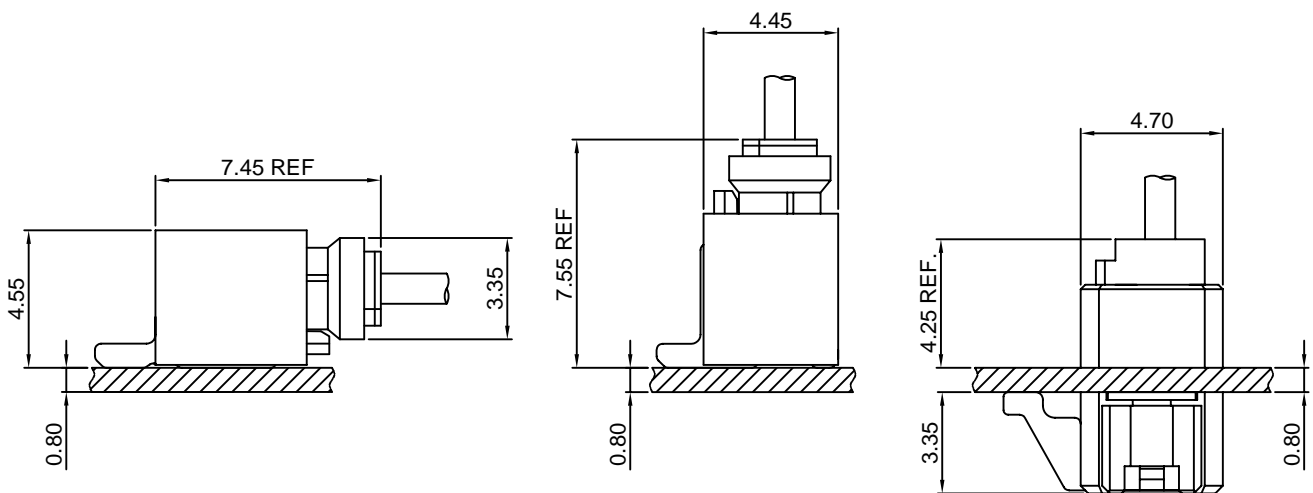
Specifications

- Current rating:3A AC,DC
- Voltage rating:350V AC,DC
- Temperature range:-40°C~+105°C
- Contact resistance:20mΩMax.
- Insulation resistance:1000MΩMin.
- Withstanding voltage:500V AC/minute
- *Compliant with RoHS and REACH*
- *Meet the HF/Halogen Free,need to customize*
- *Contact CJT for details*

Standards



Assembly layout

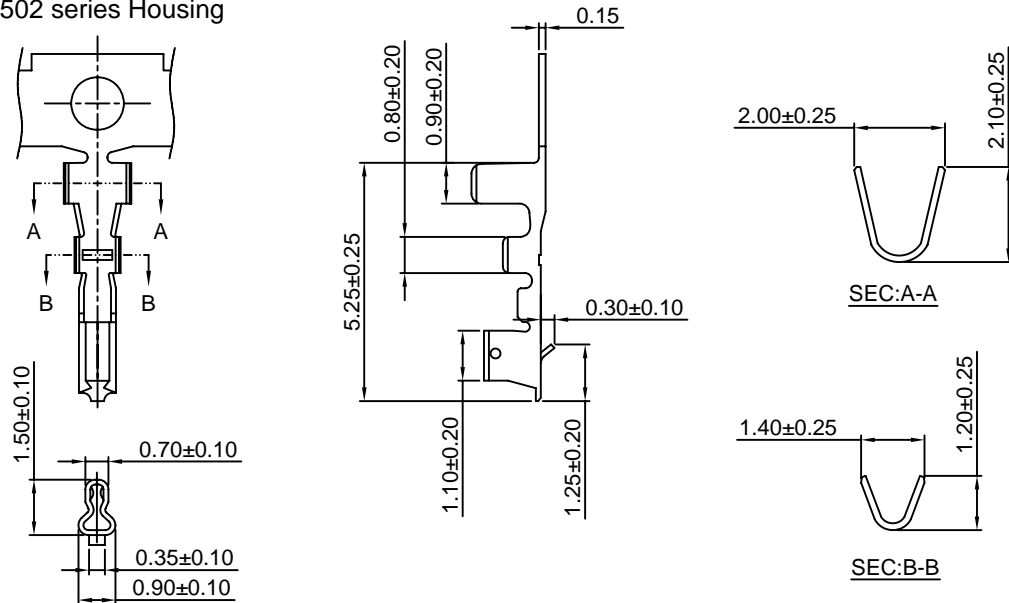


A1502-T

1.50mm pitch Crimp Terminal

Reference Informations:

*Used in CJT A1502 series Housing



Ordering information & Specifications:

Unit:mm

| Part NO. | Wire Range | Insulation O.D. | Material | Finish | Qty/reel |
|----------|------------|-----------------|-----------------|------------------|------------|
| A1502-TP | AWG#24-#28 | 1.10mm(max) | Phosphor Bronze | Tin over Nickel | 10,000 PCS |
| A1502-GP | AWG#24-#28 | 1.10mm(max) | Phosphor Bronze | Gold over Nickel | 10,000 PCS |

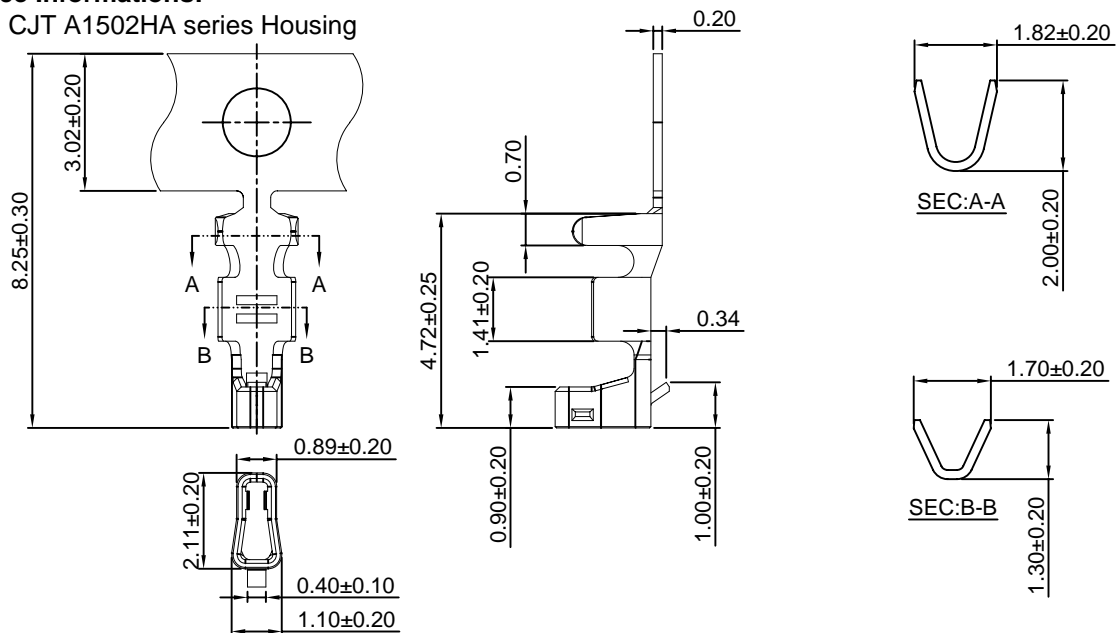
Optional Gold plating available but MOQ requested

A1502-T-A

1.50mm pitch Crimp Terminal

Reference Informations:

*Used in CJT A1502HA series Housing



Ordering information & Specifications:

Unit:mm

| Part NO. | Wire Range | Insulation O.D. | Material | Finish | Qty/reel |
|------------|------------|-----------------|-----------------|------------------|------------|
| A1502-TP-A | AWG#24-#28 | 1.10mm(max) | Phosphor Bronze | Tin over Nickel | 10,000 PCS |
| A1502-GP-A | AWG#24-#28 | 1.10mm(max) | Phosphor Bronze | Gold over Nickel | 10,000 PCS |

Optional Gold plating available but MOQ requested

A1502H

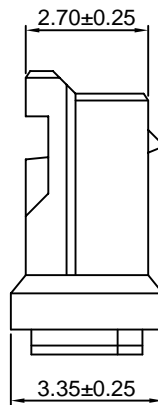
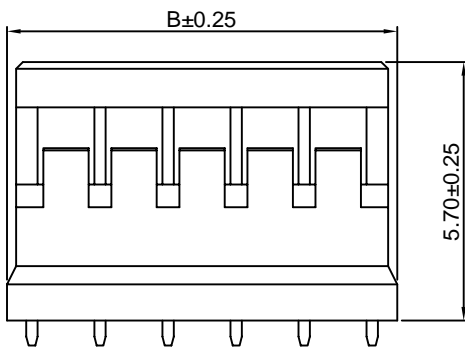
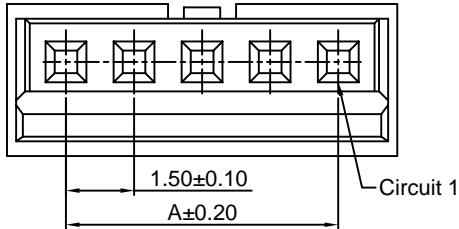
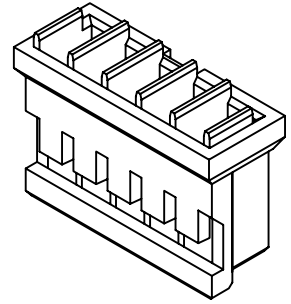
1.50mm pitch Housing

Reference Informations:

- *Material: Nylon 66, UL94V-0
- *Suitable CJT A1502 series Terminal
- *Mates with CJT A1502 series Wafer
- *Color: White

Ordering Information:

- A1502H-XP - **
 $\frac{1}{2}$
1. Part No.
 2. Color:
 (blank) - White
 BK - Black



Ordering Information & Dimensions:

| PART NO. | Dimensions | |
|------------|------------|-------|
| | A | B |
| A1502H-2P | 1.50 | 4.10 |
| A1502H-3P | 3.00 | 5.60 |
| A1502H-4P | 4.50 | 7.10 |
| A1502H-5P | 6.00 | 8.60 |
| A1502H-6P | 7.50 | 10.10 |
| A1502H-7P | 9.00 | 11.60 |
| A1502H-8P | 10.50 | 13.10 |
| A1502H-9P | 12.00 | 14.60 |
| A1502H-10P | 13.50 | 16.10 |
| A1502H-11P | 15.00 | 17.60 |
| A1502H-12P | 16.50 | 19.10 |
| A1502H-13P | 18.00 | 20.60 |
| A1502H-14P | 19.50 | 22.10 |
| A1502H-15P | 21.00 | 23.60 |

Unit: mm

A1502HA

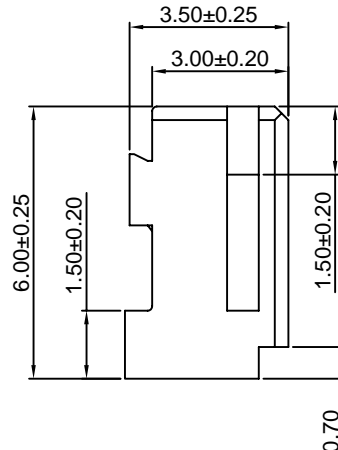
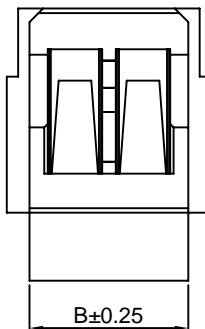
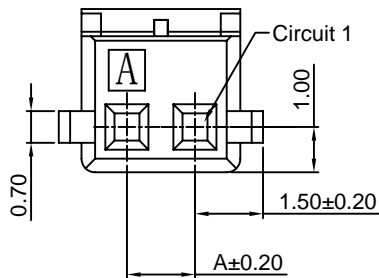
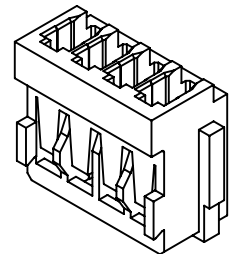
1.50mm pitch Housing

Reference Informations:

- *Material: Nylon 66, UL94V-0
- *Suitable CJT A1502HA series Terminal
- *Mates with CJT A1502WVA-IT-S series Wafer
- *Color: White

Ordering Information:

- A1502HA-XP - **
 $\frac{1}{2}$
1. Part No.
 2. Color:
 (blank) - White
 BL - Blue



Ordering Information & Dimensions:

| PART NO. | Dimensions | |
|-------------|------------|-------|
| | A | B |
| A1502HA-2P | 1.50 | 3.50 |
| A1502HA-3P | 3.00 | 5.00 |
| A1502HA-4P | 4.50 | 6.50 |
| A1502HA-5P | 6.00 | 8.00 |
| A1502HA-6P | 7.50 | 9.50 |
| A1502HA-7P | 9.00 | 11.00 |
| A1502HA-8P | 10.50 | 12.50 |
| A1502HA-9P | 12.00 | 14.00 |
| A1502HA-10P | 13.50 | 15.50 |
| A1502HA-11P | 15.00 | 17.00 |
| A1502HA-12P | 16.50 | 18.50 |
| A1502HA-13P | 18.00 | 20.00 |
| A1502HA-14P | 19.50 | 21.50 |
| A1502HA-15P | 21.00 | 23.00 |
| A1502HA-16P | 22.50 | 24.50 |
| A1502HA-17P | 24.00 | 26.00 |
| A1502HA-18P | 25.50 | 27.50 |
| A1502HA-19P | 27.00 | 29.00 |
| A1502HA-20P | 28.50 | 30.50 |

Unit: mm

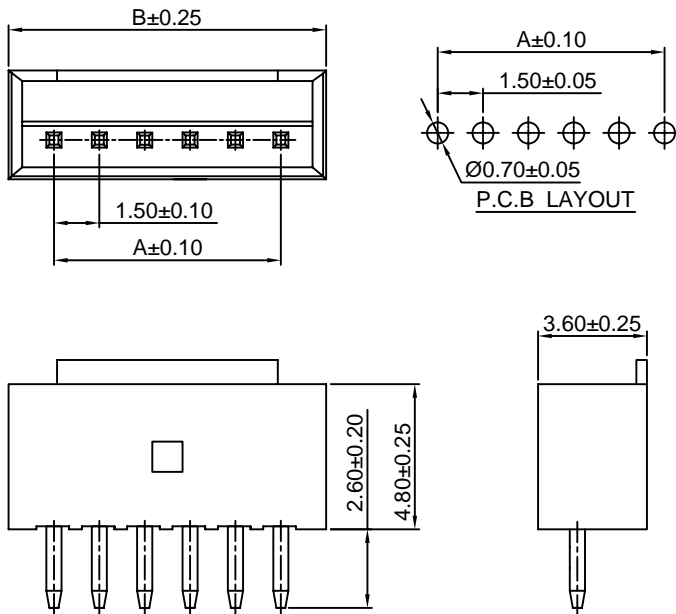
A1502WV

—1.50mm pitch 180° Wafer—

Reference Informations:

- *Material:Pin:Brass/Tin over Nicke
Insulator:Nylon 66,UL94V-0
- *Mates with CJT A1502 series Housing
- *Color:White

Odering Information:
A1502WV-XP - **
 $\frac{1}{2}$
 1.Part No.
 2.Color:
 (blank) - White
BK - Black



Ordering Information & Dimensions:

| PART NO. | Dimensions | |
|-------------|------------|-------|
| | A | B |
| A1502WV-2P | 1.50 | 4.50 |
| A1502WV-3P | 3.00 | 6.00 |
| A1502WV-4P | 4.50 | 7.50 |
| A1502WV-5P | 6.00 | 9.00 |
| A1502WV-6P | 7.50 | 10.50 |
| A1502WV-7P | 9.00 | 12.00 |
| A1502WV-8P | 10.50 | 13.50 |
| A1502WV-9P | 12.00 | 15.00 |
| A1502WV-10P | 13.50 | 16.50 |
| A1502WV-11P | 15.00 | 18.00 |
| A1502WV-12P | 16.50 | 19.50 |
| A1502WV-13P | 18.00 | 21.00 |
| A1502WV-14P | 19.50 | 22.50 |
| A1502WV-15P | 21.00 | 24.00 |

Unit: mm

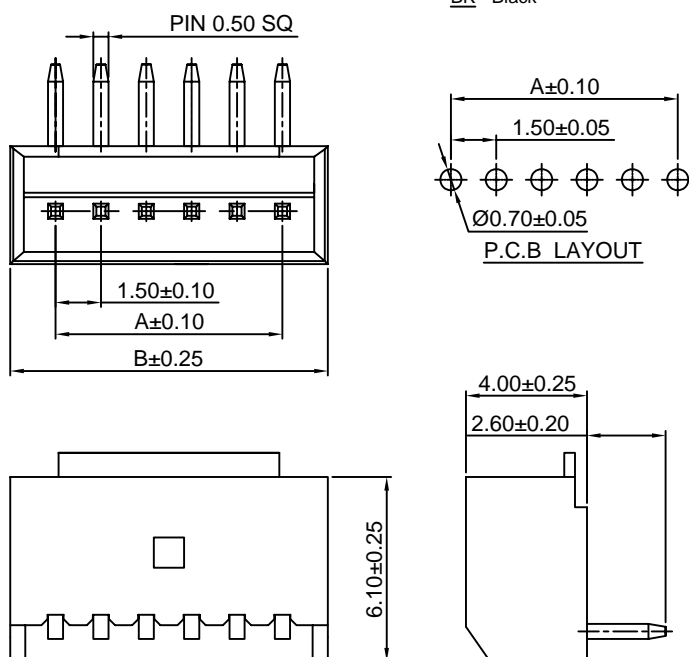
A1502WR

—1.50mm pitch 90° Wafer—

Reference Informations:

- *Material:Pin:Brass/Tin over Nickel
Insulator:Nylon 66,UL94V-0
- *Mates with CJT A1502 series Housing
- *Color:White

Odering Information:
A1502WR-XP - **
 $\frac{1}{2}$
 1.Part No.
 2.Color:
 (blank) - White
BK - Black



Ordering Information & Dimensions:

| PART NO. | Dimensions | |
|-------------|------------|-------|
| | A | B |
| A1502WR-2P | 1.50 | 4.50 |
| A1502WR-3P | 3.00 | 6.00 |
| A1502WR-4P | 4.50 | 7.50 |
| A1502WR-5P | 6.00 | 9.00 |
| A1502WR-6P | 7.50 | 10.50 |
| A1502WR-7P | 9.00 | 12.00 |
| A1502WR-8P | 10.50 | 13.50 |
| A1502WR-9P | 12.00 | 15.00 |
| A1502WR-10P | 13.50 | 16.50 |
| A1502WR-11P | 15.00 | 18.00 |
| A1502WR-12P | 16.50 | 19.50 |
| A1502WR-13P | 18.00 | 21.00 |
| A1502WR-14P | 19.50 | 22.50 |
| A1502WR-15P | 21.00 | 24.00 |

Unit: mm

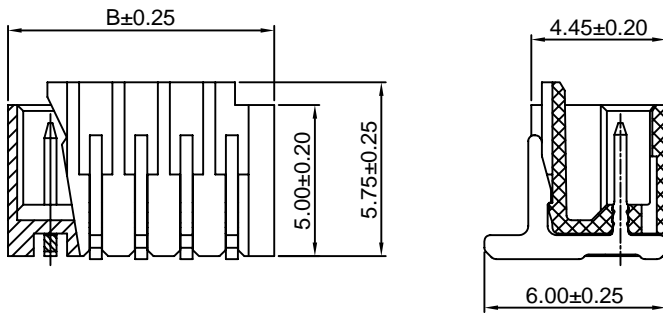
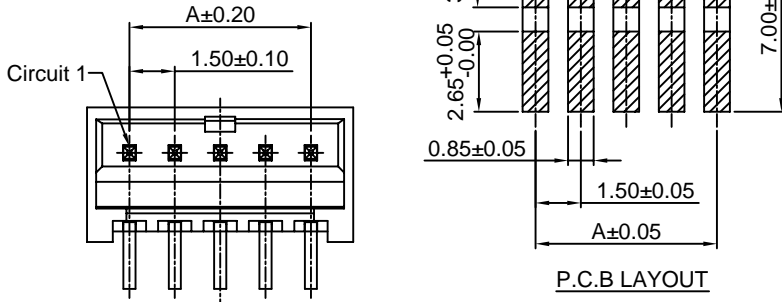
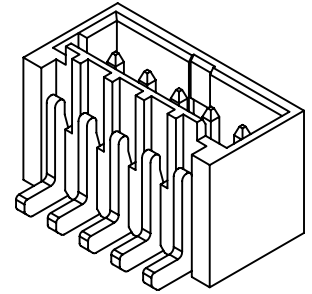
A1502WV-S

1.50mm pitch 180° Wafer-SMT TYPE

Reference Informations:

- *Material:Pin:Brass/Tin over Nicke
Insulator:Nylon 6T,UL94V-0
- *Mates with CJT A1502 series Housing
- *Color:Ivory

Odering Information:
A1502WV-S-XP - **
1
2
1.Part No.
2.Color:
(blank) - Ivory
BK - Black



Ordering Information & Dimensions:

| PART NO. | Dimensions | |
|---------------|------------|-------|
| | A | B |
| A1502WV-S-2P | 1.50 | 4.30 |
| A1502WV-S-3P | 3.00 | 5.80 |
| A1502WV-S-4P | 4.50 | 7.30 |
| A1502WV-S-5P | 6.00 | 8.80 |
| A1502WV-S-6P | 7.50 | 10.30 |
| A1502WV-S-7P | 9.00 | 11.80 |
| A1502WV-S-8P | 10.50 | 13.30 |
| A1502WV-S-9P | 12.00 | 14.80 |
| A1502WV-S-10P | 13.50 | 16.30 |
| A1502WV-S-11P | 15.00 | 17.80 |
| A1502WV-S-12P | 16.50 | 19.30 |
| A1502WV-S-13P | 18.00 | 20.80 |
| A1502WV-S-14P | 19.50 | 22.30 |
| A1502WV-S-15P | 21.00 | 23.80 |

Unit: mm

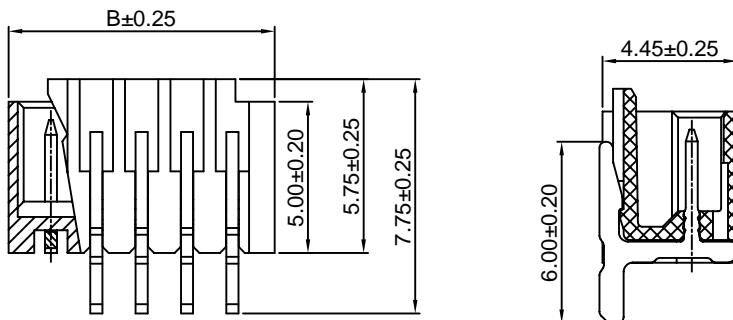
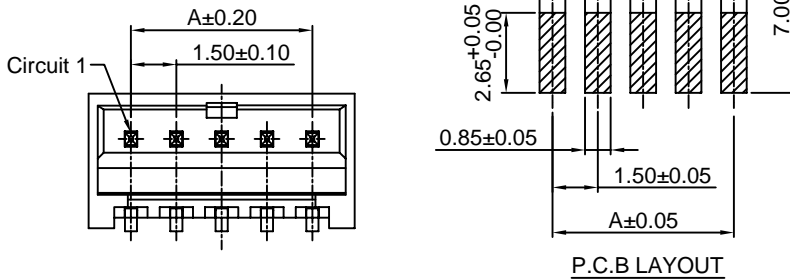
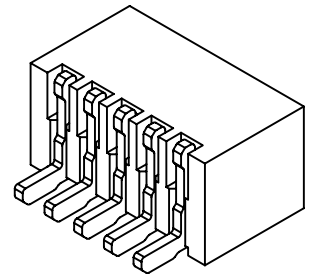
A1502WR-S

1.50mm pitch 90° Wafer-SMT TYPE

Reference Informations:

- *Material:Pin:Brass/Tin over Nickel
Insulator:Nylon 6T,UL94V-0
- *Mates with CJT A1502 series Housing
- *Color:Ivory

Odering Information:
A1502WR-S-XP - **
1
2
1.Part No.
2.Color:
(blank) - Ivory
BK - Black



Ordering Information & Dimensions:

| PART NO. | Dimensions | |
|---------------|------------|-------|
| | A | B |
| A1502WR-S-2P | 1.50 | 4.30 |
| A1502WR-S-3P | 3.00 | 5.80 |
| A1502WR-S-4P | 4.50 | 7.30 |
| A1502WR-S-5P | 6.00 | 8.80 |
| A1502WR-S-6P | 7.50 | 10.30 |
| A1502WR-S-7P | 9.00 | 11.80 |
| A1502WR-S-8P | 10.50 | 13.30 |
| A1502WR-S-9P | 12.00 | 14.80 |
| A1502WR-S-10P | 13.50 | 16.30 |
| A1502WR-S-11P | 15.00 | 17.80 |
| A1502WR-S-12P | 16.50 | 19.30 |
| A1502WR-S-13P | 18.00 | 20.80 |
| A1502WR-S-14P | 19.50 | 22.30 |
| A1502WR-S-15P | 21.00 | 23.80 |

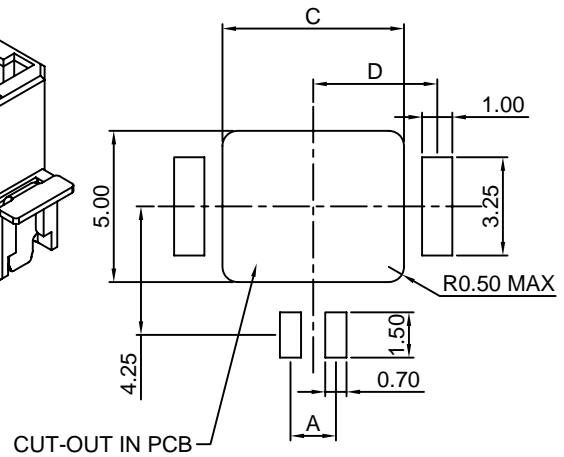
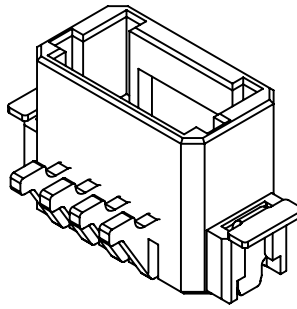
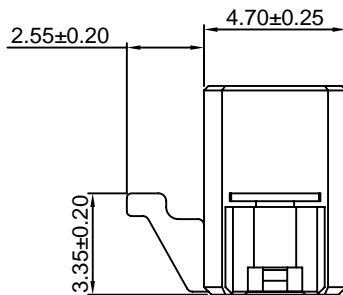
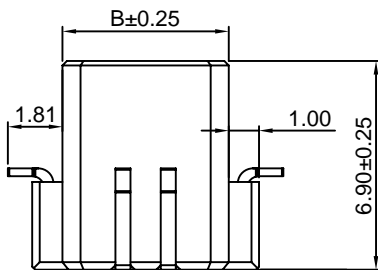
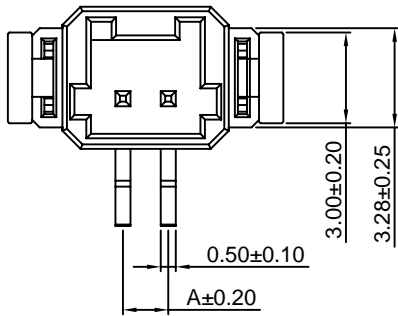
Unit: mm

A1502WVA-IT-S

1.50mm pitch thru board inverted SMT 180° Wafer

Reference Informations:

- *Material: Pin: Brass/Tin over Nickel
Solder Tabs: Brass/Tin over Nickel
Insulator: LCP, UL94V-0
- *Mates with CJT A1502HA series Housing
- *Color: Ivory



Ordering Information & Dimensions:

| PART NO. | Dimensions | | | |
|------------------|------------|-------|-------|------|
| | A | B | C | D |
| A1502WVA-IT-S-2P | 1.50 | 5.50 | 6.00 | 4.10 |
| A1502WVA-IT-S-3P | 3.00 | 7.00 | 7.50 | 4.85 |
| A1502WVA-IT-S-4P | 4.50 | 8.50 | 9.00 | 5.60 |
| A1502WVA-IT-S-5P | 6.00 | 10.00 | 10.50 | 6.35 |
| A1502WVA-IT-S-6P | 7.50 | 11.50 | 12.00 | 7.10 |

Unit: mm

X-ON Electronics

Largest Supplier of Electrical and Electronic Components

Click to view similar products for [Headers & Wire Housings](#) category:

Click to view products by [Changjiang](#) manufacturer:

Other Similar products are found below :

[57102-F02-18ULF](#) [58102-G61-06LF](#) [0009485154](#) [009176003701906](#) [0050291907](#) [00-9021-0611-00-339](#) [02.125.8002.8](#) [609-3404](#) [61062-3](#)
[622-0430](#) [622-3653LF](#) [63453-116](#) [636-1030](#) [636-1427](#) [636-3427](#) [636-4007](#) [641938-9](#) [644827-2](#) [65495-038](#) [65692-001LF](#) [65781-018](#)
[65781-047](#) [65817-010LF](#) [65817-015LF](#) [66207-023LF](#) [67016-026LF](#) [67095-007LF](#) [68631-112](#) [68645-018](#) [68648-049](#) [699319-000](#)
[70.362.1628.0](#) [70-4210](#) [70-4226B](#) [70-4853B](#) [707-5020](#) [707-5028](#) [71.350.2428.0](#) [71961-016LF](#) [733-134](#) [754199-000](#) [760-3052](#) [787-8014-00](#)
[FCN-367T-T012/H](#) [80.063.4001.1](#) [800-90-001-10-001000](#) [800-90-010-10-002000](#) [801-43-002-10-013000](#) [801-43-006-10-002000](#)
[803-41-018-10-001000](#)