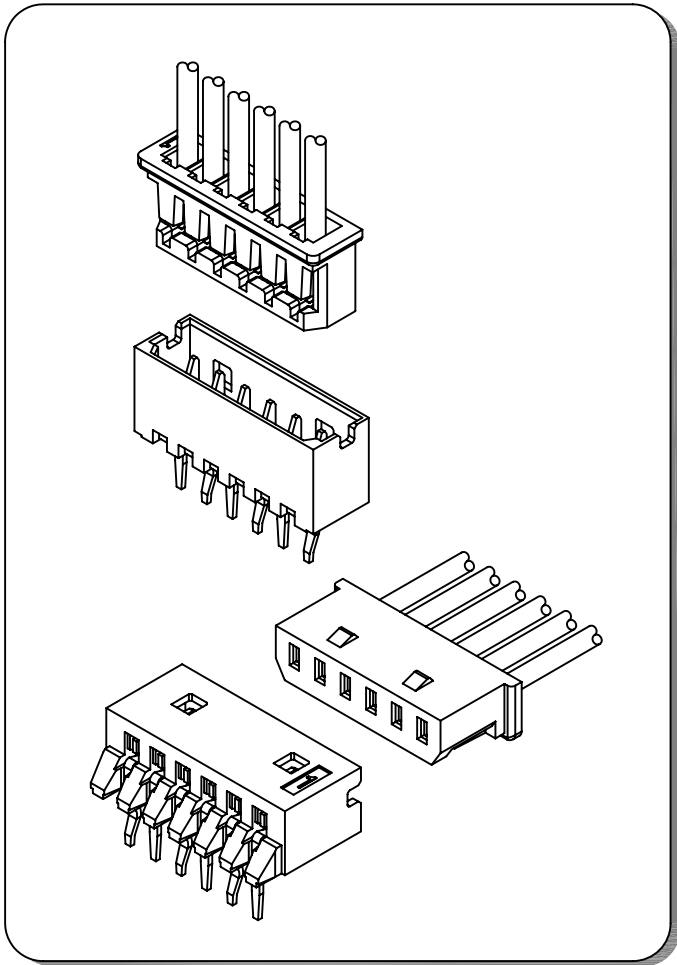


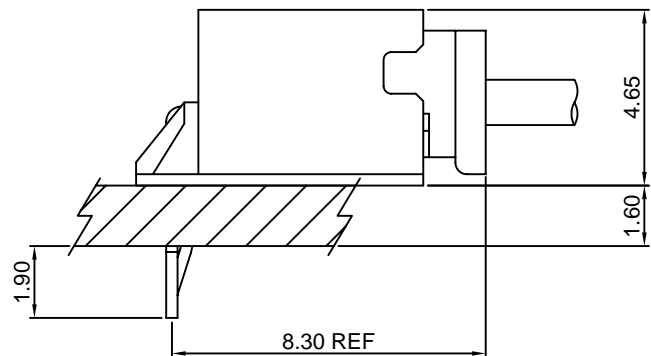
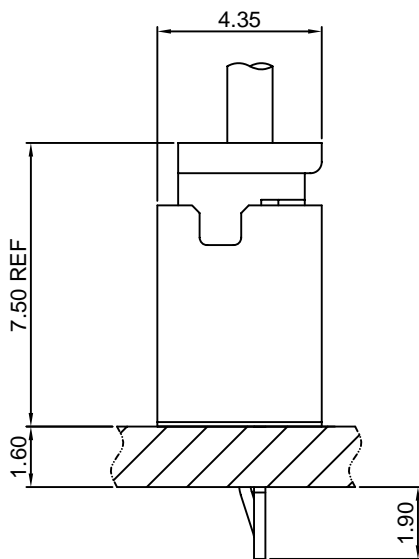
## Specifications

- Current rating:2A AC,DC
- Voltage rating:125V AC,DC
- Temperature range:-40°C~+105°C
- Contact resistance:20mΩMax.
- Insulation resistance:1000MΩMin.
- Withstanding voltage:800V AC/minute
- \*Compliant with RoHS and REACH\*
- \*Meet the HF/Halogen Free,need to customize\*
- \*Contact CJT for details\*

### Standards



## Assembly layout

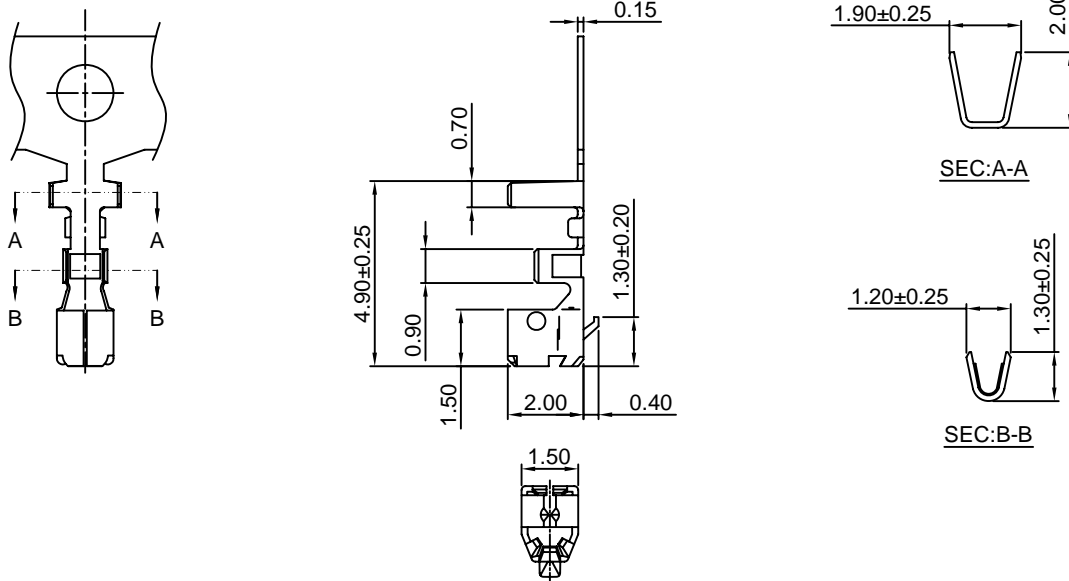


## A2004-T

2.00mm pitch Crimp Terminal

### Reference Informations:

\*Used in CJT A2004 series Housing



Ordering information & Specifications:

Unit:mm

Part NO.	Wire Range	Insulation O.D.	Material	Finish	Qty/reel
A2004-TP	AWG#24-#28	1.40mm(max)	Phosphor Bronze	Tin over Nickel	10,000 PCS
A2004-GP	AWG#24-#28	1.40mm(max)	Phosphor Bronze	Gold over Nickel	10,000 PCS

Optional Gold plating available but MOQ requested

## A2004H

2.00mm pitch Housing

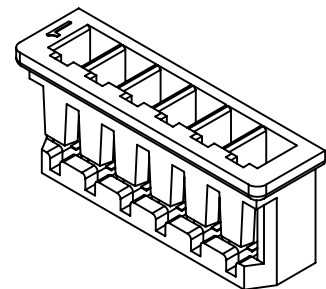
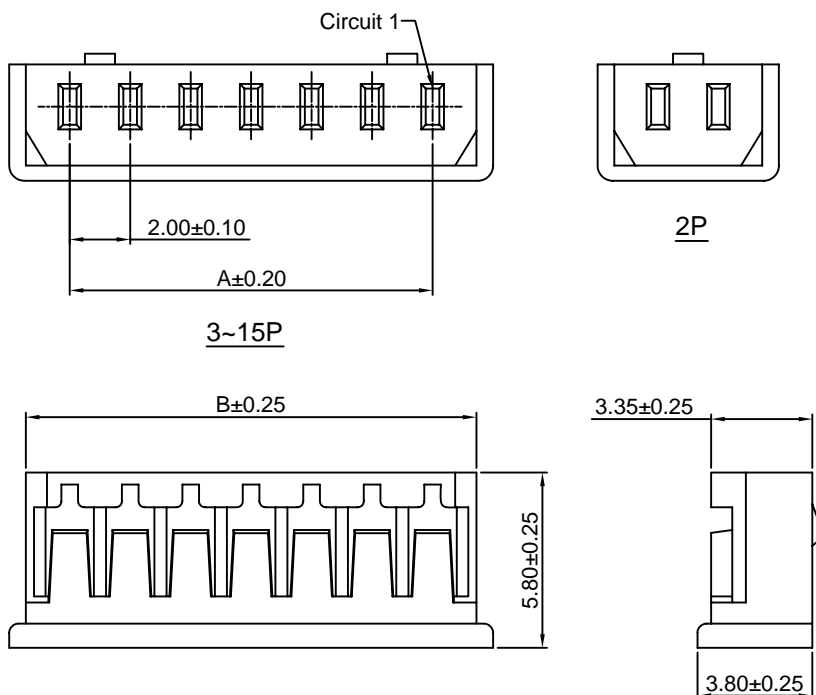
### Reference Informations:

\*Material:Nylon 66,UL94V-0

\*Suitable CJT A2004 series Terminal

\*Mates with CJT A2004 series Wafer

\*Color:White



Ordering Information & Dimensions:

PART NO.	Dimensions	
	A	B
A2004H-2P	2.00	5.90
A2004H-3P	4.00	7.90
A2004H-4P	6.00	9.90
A2004H-5P	8.00	11.90
A2004H-6P	10.00	13.90
A2004H-7P	12.00	15.90
A2004H-8P	14.00	17.90
A2004H-9P	16.00	19.90
A2004H-10P	18.00	21.90
A2004H-11P	20.00	23.90
A2004H-12P	22.00	25.90
A2004H-13P	24.00	27.90
A2004H-14P	26.00	29.90
A2004H-15P	28.00	31.90

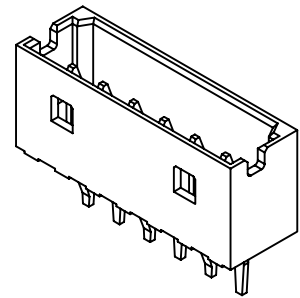
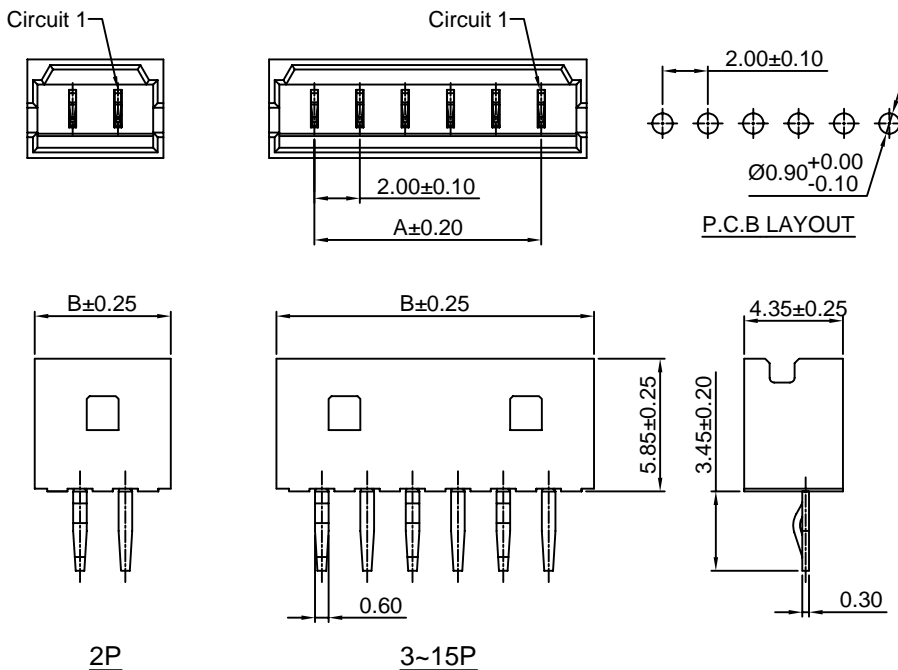
Unit: mm

### A2004WV

2.00mm pitch 180° Wafer

#### Reference Informations:

- \*Material:Pin:Phosphor Bronze/Tin over Nickel  
Insulator:Nylon 66,UL94V-0
- \*Mates with CJT A2004 series Housing
- \*Color:Ivory



Ordering Information & Dimensions:

PART NO.	Dimensions	
	A	B
A2004WV-2P	2.00	6.00
A2004WV-3P	4.00	8.00
A2004WV-4P	6.00	10.00
A2004WV-5P	8.00	12.00
A2004WV-6P	10.00	14.00
A2004WV-7P	12.00	16.00
A2004WV-8P	14.00	18.00
A2004WV-9P	16.00	20.00
A2004WV-10P	18.00	22.00
A2004WV-11P	20.00	24.00
A2004WV-12P	22.00	26.00
A2004WV-13P	24.00	28.00
A2004WV-14P	26.00	30.00
A2004WV-15P	28.00	32.00

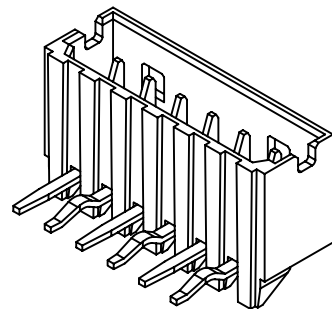
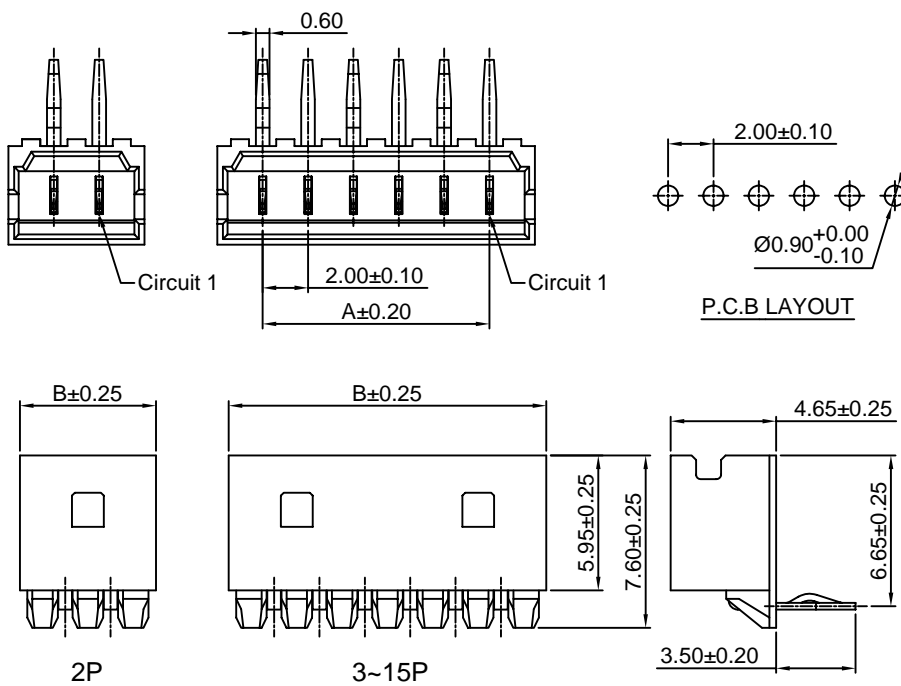
Unit: mm

### A2004WR

2.00mm pitch 90° Wafer

#### Reference Informations:

- \*Material:Pin:Phosphor Bronze/Tin over Nickel  
Insulator:Nylon 66,UL94V-0
- \*Mates with CJT A2004 series Housing
- \*Color:Ivory



Ordering Information & Dimensions:

PART NO.	Dimensions	
	A	B
A2004WR-2P	2.00	6.00
A2004WR-3P	4.00	8.00
A2004WR-4P	6.00	10.00
A2004WR-5P	8.00	12.00
A2004WR-6P	10.00	14.00
A2004WR-7P	12.00	16.00
A2004WR-8P	14.00	18.00
A2004WR-9P	16.00	20.00
A2004WR-10P	18.00	22.00
A2004WR-11P	20.00	24.00
A2004WR-12P	22.00	26.00
A2004WR-13P	24.00	28.00
A2004WR-14P	26.00	30.00
A2004WR-15P	28.00	32.00

Unit: mm

## X-ON Electronics

Largest Supplier of Electrical and Electronic Components

*Click to view similar products for [Headers & Wire Housings](#) category:*

*Click to view products by [Changjiang](#) manufacturer:*

Other Similar products are found below :

[57102-F02-18ULF](#) [58102-G61-06LF](#) [582553-1](#) [009176003701906](#) [0050291907](#) [02.125.8002.8](#) [609-3404](#) [61062-3](#) [622-0430](#) [622-3653LF](#)  
[63453-116](#) [636-1030](#) [636-1427](#) [636-3427](#) [636-4007](#) [641938-9](#) [65495-038](#) [65692-001LF](#) [65781-018](#) [65781-047](#) [65817-010LF](#) [65817-015LF](#)  
[66207-023LF](#) [67016-026LF](#) [67095-007LF](#) [68631-112](#) [68645-018](#) [68648-049](#) [699319-000](#) [M90C108951C](#) [70.362.1628.0](#) [70-4210](#) [70-4226B](#)  
[70-4853B](#) [707-5020](#) [707-5028](#) [71.350.2428.0](#) [71961-016LF](#) [733-134](#) [754199-000](#) [760-3052](#) [787-8014-00](#) [FCN-367T-T012/H](#)  
[80.063.4001.1](#) [800-90-001-10-001000](#) [801-43-002-10-013000](#) [801-43-006-10-002000](#) [803-41-018-10-001000](#) [803-43-014-20-001000](#)  
[803-43-024-10-001000](#)